

PLEASE CHECK WWW.MOLEX.COM FOR LATEST PART INFORMATION

Part Number: [0930500502](#)
Status: **Active**
Overview: [rast_25_connector_system](#)
Description: 2.50mm (.098") Pitch Appli-Mate RAST 2.5 Female Connector, Glow Wire Compliant, 4 Circuits, Natural, Open Endwalls, Positions A, B, D & E Removed, Polarized Rib Between Circuits 1 & 2

Documents:

[Drawing \(PDF\)](#) [RoHS Certificate of Compliance \(PDF\)](#)
[Product Specification PS-99020-0040 \(PDF\)](#)

Agency Certification

CSA LR19980
 UL E29179

General

Product Family IDT and Solder Connectors
 Series [93050](#)
 Crimp Quality Equipment Yes
 Overview [rast_25_connector_system](#)
 Product Name RAST 2.5
 Use With RAST standard interface

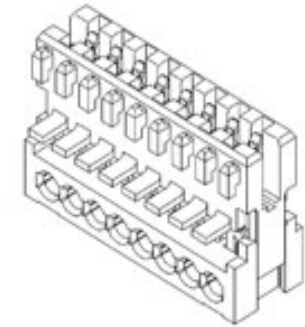
Physical

Circuits (Loaded) 4
 Circuits (maximum) 4
 Color - Resin Natural
 Durability (mating cycles max) 10
 Flammability 94V-2
 Gender Female
 Glow-Wire Compliant Yes
 Lock to Mating Part None
 Material - Metal Phosphor Bronze
 Material - Plating Mating Tin
 Material - Plating Termination Tin
 Material - Resin Polyester
 Number of Rows 1
 Packaging Type Tray
 Panel Mount No
 Pitch - Mating Interface (in) 0.098 In
 Pitch - Mating Interface (mm) 2.50 mm
 Pitch - Term. Interface (in) 0.098 In
 Pitch - Term. Interface (mm) 2.50 mm
 Plating min: Mating (µin) 40
 Plating min: Mating (µm) 1.00
 Plating min: Termination (µin) 40
 Plating min: Termination (µm) 1.00
 Polarized to Mating Part Yes
 Temperature Range - Operating -20C TO +120C
 Termination Interface: Style IDT or Pierce
 Wire Size AWG 22, 24

Electrical

Current - Maximum per Contact 2A
 Voltage - Maximum 250V AC

Material Info



Series

image - Reference only

EU RoHS

ELV and RoHS Compliant
REACH SVHC
Contains SVHC: No
Halogen-Free Status

China RoHS



Need more information on product environmental compliance?

Email productcompliance@molex.com
 For a multiple part number RoHS Certificate of Compliance, [click here](#)

Please visit the [Contact Us](#) section for any non-product compliance questions.

Search Parts in this Series

[93050Series](#)

Mates With

Appli-Mate RAST 2.5 Header [93070](#)

Application Tooling | FAQ

Tooling specifications and manuals are found by selecting the products below. Crimp Height Specifications are then contained in the Application Tooling Specification document.

Global

Description	Product #
RAST 2.5 Semi-Automatic Terminator Machine For Appli-Mate™ Connectors	0623006200

Reference - Drawing Numbers

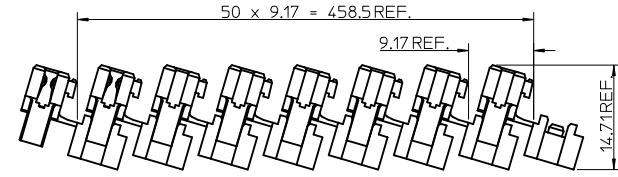
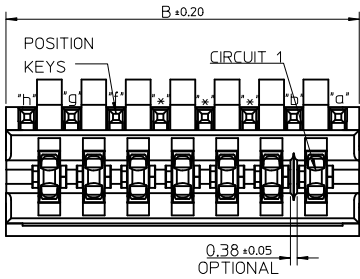
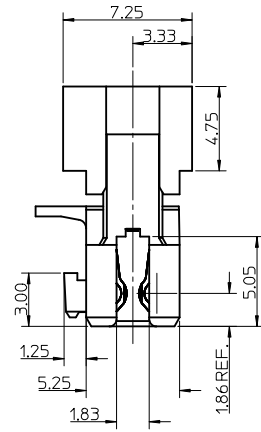
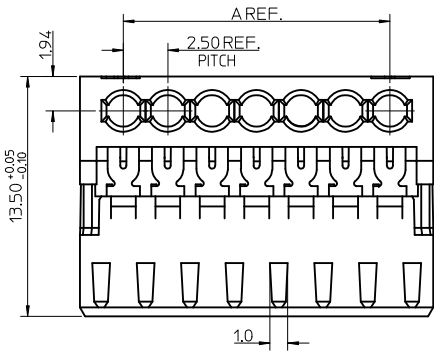
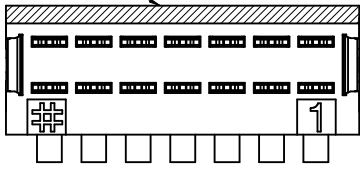
Application Specification
Packaging Specification
Product Specification
Sales Drawing

AS-99033-0008
PK-90871-001
PS-99020-0040
SD-93050-001

This document was generated on 06/07/2010

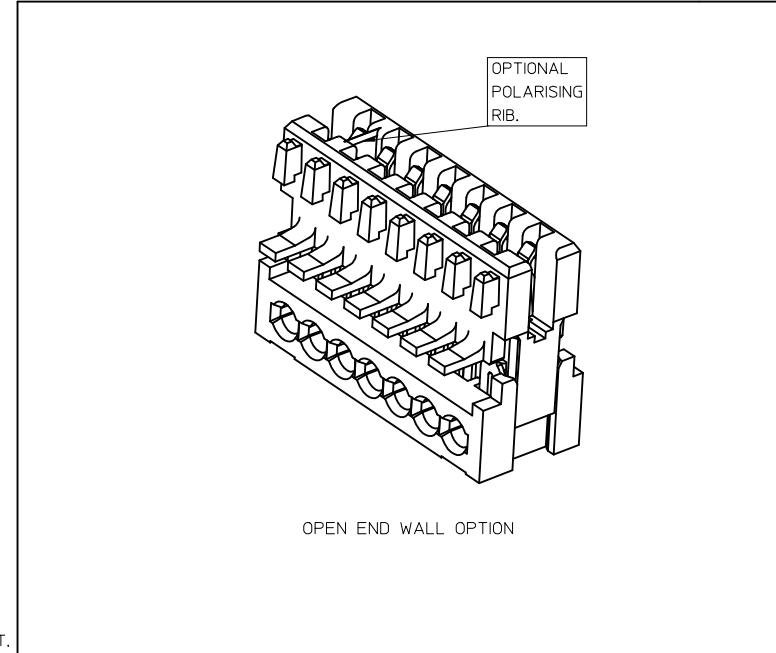
PLEASE CHECK WWW.MOLEX.COM FOR LATEST PART INFORMATION

POSITION OF COLOUR STRIPE (see note 3)



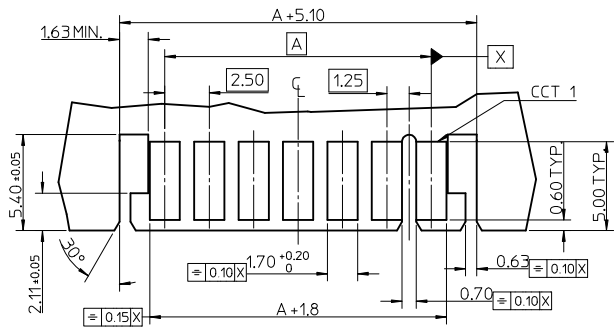
SHIPPING ARRANGEMENT SCALE 2:1

CCT	"A"	"B"
3	5.0	9.875
4	7.5	12.375
5	10.0	14.875
6	12.5	17.375
7	15.0	19.875
8	17.5	22.375
9	20.0	24.875
10	22.5	27.375
11	25.0	29.875
12	27.5	32.375
13	30.0	34.875



NOTES:

- REFER TO PRODUCT SPECIFICATION: PS-99020-0040.
- MATERIAL: HOUSING - POLYESTER (PBT)
UL94-V2. COLOUR NATURAL.
TERMINAL: PHOSPHOR BRONZE 0.30 REF. THICK - PLATING
HOT TIN DIP.
- COLOUR STRIPE IS OPTIONAL. AVAILABLE IN THE FOLLOWING COLOURS: RED, GREEN, BLUE.
(BLACK SIGNIFIES CUSTOMER SPECIFIC CONFIGURATION).
- REFER TO PACKAGING SPEC (PK-90871-001)
- REFER TO APPLICATION SPEC (AS-99033-0008)
- FOR CIRCUIT SIZES LARGER THAN 13CCT - CONTACT ENG. DEPT.



- PCB LAYOUT FOR 7CCT CONNECTOR
(WITH OPTIONAL POSITIONAL RIB SLOT BETWEEN CCT 1 & 2)
- RECOMMENDED PCB THICKNESS 1.5±0.14

ADDED NEW P/N'S EC NO: E2010-0339 DRAWN: BMAGUIRE 2010/03/30 CHKD: NMCNAMARA 2007/07/09 APPR: BMAGUIRE 2010/05/05	QUALITY SYMBOLS ▽=0 ▽=0	GENERAL TOLERANCES (UNLESS SPECIFIED)		DIMENSION STYLE MM ONLY		SCALE 5:1	DESIGN UNITS METRIC	THIRD ANGLE PROJECTION
		mm	INCH	DRAWN BY TTOURISH	DATE 2007/07/07	TITLE APPLI-MATE 2.5 FEMALE G.W.T. 750 VERSION		
REV	DESCRIPTION	4 PLACES ± --- ± ---	3 PLACES ± 0.05 ± ---	2 PLACES ± 0.10 ± ---	1 PLACE ± 0.2 ± ---	APPROVED BY BMAGUIRE	DATE 2007/07/09	DOCUMENT NO. SD-93050-001
		ANGULAR ±1/2°		DRAFT WHERE APPLICABLE MUST REMAIN WITHIN DIMENSIONS		SEE CHARTS		
		MATERIAL NO.		THIS DRAWING CONTAINS INFORMATION THAT IS PROPRIETARY TO MOLEX INCORPORATED AND SHOULD NOT BE USED WITHOUT WRITTEN PERMISSION				

3 CIRCUIT

MOLEX PART NO.	TERMINAL VOID POSITION	REMOVED POSITION KEYS	CONFIGURATION (SEE NOTE 1)	ENDWALLS	POLARIZING RIB	COLOUR STRIPE
93050-0001	NONE	NONE		OPEN	NONE	NONE
93050-0003	NONE	b d		OPEN	NONE	NONE
93050-0005	NONE	b		OPEN	NONE	NONE
93050-0006	NONE	d		OPEN	NONE	NONE
93050-0007	NONE	a c		OPEN	NONE	NONE
93050-0008	NONE	a b		OPEN	NONE	NONE
93050-0009	NONE	c d		OPEN	NONE	NONE
93050-0012	NONE	b c		OPEN	BETWEEN CCT 1&2	NONE
93050-0013	NONE	a		OPEN	BETWEEN CCT 1&2	NONE
93050-0014	NONE	c		OPEN	BETWEEN CCT 2&3	BLUE
93050-0016	NONE	NONE		OPEN	BETWEEN CCT 1&2	NONE
93050-0017	NONE	NONE		OPEN	BETWEEN CCT 2&3	NONE
93050-0018	NONE	a b c		OPEN	NONE	NONE
93050-0019	NONE	c		OPEN	NONE	NONE
93050-0020	NONE	a d		OPEN	NONE	NONE
93050-0021	NONE	NONE		OPEN	NONE	BLUE
93050-0022	NONE	NONE		OPEN	BETWEEN CCT 1&2	BLUE
93050-0023	NONE	b c		OPEN	NONE	NONE
93050-0024	NONE	a		OPEN	NONE	NONE

4 CIRCUIT

MOLEX PART NO.	TERMINAL VOID POSITION	REMOVED POSITION KEYS	CONFIGURATION (SEE NOTE 1)	ENDWALLS	POLARIZING RIB	COLOUR STRIPE
93050-0501	NONE	NONE		OPEN	NONE	NONE
93050-0502	NONE	a b d e		OPEN	BETWEEN CKT 1&2	NONE
93050-0503	NONE	ALL		OPEN	BETWEEN CKT 3&4	NONE
93050-0504	NONE	ALL		OPEN	BETWEEN CKT 3&4	BLUE
93050-0505	NONE	c e		OPEN	NONE	NONE
93050-0506	NONE	b c		OPEN	NONE	NONE
93050-0507	NONE	NONE		OPEN	BETWEEN CKT 2&3	NONE
93050-0508	NONE	a d e		OPEN	NONE	NONE
93050-0509	NONE	a c		OPEN	NONE	NONE
93050-0751	NONE	b e		1st CLOSED LAST OPEN	NONE	NONE
93050-0510	NONE	b d		OPEN	NONE	NONE
93050-0511	NONE	b e		OPEN	NONE	NONE
93050-0512	NONE	NONE		OPEN	NONE	BLUE

6 CIRCUIT

MOLEX PART NO.	TERMINAL VOID POSITION	REMOVED POSITION KEYS	CONFIGURATION (SEE NOTE 1)	ENDWALLS	POLARIZING RIB	COLOUR STRIPE
93050-1501	NONE	NONE		OPEN	NONE	NONE
93050-1502	CCT 2, 4	NONE		OPEN	NONE	NONE
93050-1503	NONE	a d e f		OPEN	NONE	NONE
93050-1504	CCT 2, 5	b c d e g		OPEN	NONE	NONE
93050-1505	NONE	b d e g		OPEN	NONE	NONE
93050-1506	NONE	g		OPEN	NONE	NONE
93050-1507	NONE	b c d g		OPEN	NONE	NONE
93050-1508	NONE	b c e		OPEN	NONE	NONE
93050-1509	NONE	b c d e f		OPEN	NONE	NONE
93050-1510	CCT 3, 5	NONE		OPEN	NONE	NONE
93050-1513	CCT 2, 4	b c e		OPEN	BETWEEN 4&5	NONE

5 CIRCUIT

MOLEX PART NO.	TERMINAL VOID POSITION	REMOVED POSITION KEYS	CONFIGURATION (SEE NOTE 1)	ENDWALLS	POLARIZING RIB	COLOUR STRIPE
93050-1001	NONE	NONE		OPEN	NONE	NONE
93050-1002	NONE	c d e		OPEN	NONE	NONE
93050-1003	NONE	NONE		OPEN	BETWEEN CKT 2&3	NONE
93050-1004	NONE	c d		OPEN	NONE	NONE
93050-1005	CCT 2, 3, 4	e		OPEN	NONE	NONE

7 CIRCUIT

MOLEX PART NO.	TERMINAL VOID POSITION	REMOVED POSITION KEYS	CONFIGURATION (SEE NOTE 1)	ENDWALLS	POLARIZING RIB	COLOUR STRIPE
93050-2001	NONE	NONE		OPEN	NONE	NONE
93050-2002	cct 2, 3, 5	c d f h		OPEN	NONE	NONE
93050-2003	NONE	a c d e f g		OPEN	NONE	NONE
93050-2004	NONE	b c f h		OPEN	NONE	NONE
93050-2005	NONE	b c d e f		OPEN	NONE	NONE
93050-2009	NONE	NONE		OPEN	BETWEEN 6&7	NONE

NOTES

- + DENOTES TERMINAL VOIDED POSITION
- ⊕ DENOTES TERMINAL LOADED POSITION
- | DENOTES POLARIZING RIB POSITION

SEE SHEET 1 ELEC NO: E2010-0339 DRAWN BY: B.MAGUIRE CHKD BY: M.NAMARA APPR: B.MAGUIRE 2010/03/30 2007/07/09 2010/05/05	QUALITY SYMBOLS ▽=0 ▽=0	GENERAL TOLERANCES (UNLESS SPECIFIED) mm INCH 4 PLACES ±.--- ±.--- 3 PLACES ±.05 ±.--- 2 PLACES ±.10 ±.--- 1 PLACE ±.02 ±.--- ANGULAR ±1/2°	DIMENSION STYLE MM ONLY DRAWN BY: T.TOURISH DATE: 2007/07/07 CHECKED BY: M.NAMARA DATE: 2007/07/09 APPROVED BY: B.MAGUIRE DATE: 2007/07/09	SCALE: 1:1 DESIGN UNITS: METRIC THIRD ANGLE PROJECTION	TITLE: APPLI-MATE 2.5 FEMALE G.W.T. 750 VERSION	
	MATERIAL NO.	DOCUMENT NO. SD-93050-001	SHEET NO. 2 OF 3	MOLEX INCORPORATED		
	DRAFT WHERE APPLICABLE MUST REMAIN WITHIN DIMENSIONS			SEE CHART		
	THIS DRAWING CONTAINS INFORMATION THAT IS PROPRIETARY TO MOLEX INCORPORATED AND SHOULD NOT BE USED WITHOUT WRITTEN PERMISSION					

8 CIRCUIT						
MOLEX PART NO.	TERMINAL VOID POSITION	REMOVED POSITION KEYS	CONFIGURATION (SEE NOTE 1)	ENDWALLS	POLARIZING RIB	COLOUR STRIPE
93050-2501	NONE	NONE		OPEN	NONE	NONE
93050-2502	CCT 2, 5, 7	b c d f g h i		OPEN	NONE	NONE
93050-2503	NONE	c f h i		OPEN	NONE	NONE
93050-2504	NONE	NONE		OPEN	BETWEEN CKT 6&7	BLUE
93050-2505	NONE	NONE		OPEN	BETWEEN CKT 7&8	BLUE
93050-2506	NONE	b c d g h i		OPEN	NONE	NONE
93050-2507	NONE	NONE		OPEN	BETWEEN CKT 7&8	NONE
93050-2508	NONE	NONE		OPEN	BETWEEN CKT 6&7	NONE

11 CIRCUIT						
MOLEX PART NO.	TERMINAL VOID POSITION	REMOVED POSITION KEYS	CONFIGURATION (SEE NOTE 1)	ENDWALLS	POLARIZING RIB	COLOUR STRIPE
93050-4001	NONE	NONE		OPEN	NONE	NONE
93050-4002	NONE	b c d e f g h i j k		OPEN	BETWEEN CCT 9&10	BLUE
93050-4003	NONE	b c d g h i j k		OPEN	NONE	NONE

12 CIRCUIT						
MOLEX PART NO.	TERMINAL VOID POSITION	REMOVED POSITION KEYS	CONFIGURATION (SEE NOTE 1)	ENDWALLS	POLARIZING RIB	COLOUR STRIPE
93050-4501	NONE	NONE		OPEN	NONE	NONE

9 CIRCUIT						
MOLEX PART NO.	TERMINAL VOID POSITION	REMOVED POSITION KEYS	CONFIGURATION (SEE NOTE 1)	ENDWALLS	POLARIZING RIB	COLOUR STRIPE
93050-3001	NONE	NONE		OPEN	NONE	NONE
93050-3002	CCT 3, 5, 8	b c d e f g h i		OPEN	NONE	NONE
93050-3003	NONE	NONE		OPEN	BETWEEN CKT 8&9	NONE

13 CIRCUIT						
MOLEX PART NO.	TERMINAL VOID POSITION	REMOVED POSITION KEYS	CONFIGURATION (SEE NOTE 1)	ENDWALLS	POLARIZING RIB	COLOUR STRIPE
93050-5001	NONE	NONE		OPEN	NONE	NONE

10 CIRCUIT						
MOLEX PART NO.	TERMINAL VOID POSITION	REMOVED POSITION KEYS	CONFIGURATION (SEE NOTE 1)	ENDWALLS	POLARIZING RIB	COLOUR STRIPE
93050-3501	NONE	NONE		OPEN	NONE	NONE
93050-3502	NONE	NONE		OPEN	BETWEEN CCT 1&2	NONE
93050-3503	CCT 2, 9	NONE		OPEN	NONE	BLUE

SEE SHEET 1 ELEC NO: E2070-0339 DRAWN: BMAGUIRE 2010/03/30 CHKD: NMCNAMARA 2007/07/09 APPR: BMAGUIRE 2010/05/05	QUALITY SYMBOLS 	GENERAL TOLERANCES (UNLESS SPECIFIED)		DIMENSION STYLE MM ONLY		SCALE 1:1	DESIGN UNITS METRIC	THIRD ANGLE PROJECTION	
		4 PLACES ± --- ± --- 3 PLACES ± 0.05 ± --- 2 PLACES ± 0.10 ± --- 1 PLACE ± 0.2 ± ---	mm INCH	DRAWN BY T TOURISH 2007/07/07	DATE	TITLE APPLI-MATE 2.5 FEMALE G.W.T. 750 VERSION			
		ANGULAR ± 1/2°		CHECKED BY NMCNAMARA 2007/07/09	DATE	MOLEX INCORPORATED			
		DRAFT WHERE APPLICABLE MUST REMAIN WITHIN DIMENSIONS		APPROVED BY BMAGUIRE 2007/07/09	DATE	MATERIAL NO. SEE CHARTS	DOCUMENT NO. SD-93050-001	SHEET NO. 3 OF 3	

THIS DRAWING CONTAINS INFORMATION THAT IS PROPRIETARY TO MOLEX INCORPORATED AND SHOULD NOT BE USED WITHOUT WRITTEN PERMISSION