

PLEASE CHECK WWW.MOLEX.COM FOR LATEST PART INFORMATION

Part Number: **0740579001**
Status: **Active**
Overview: vhdm
Description: 2.00mm (.079") Pitch VHDM® Board-to-Board Backplane Header, Vertical, 6-Row, Open Signal Module, 60 Circuits, 10 Columns, Pin Length 4.75mm (.187"), 0.76µm (30µ") Gold (Au) Plating, Lead Free

Documents:

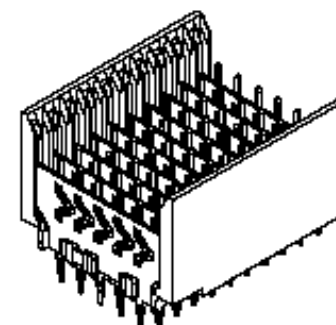
[Drawing \(PDF\)](#) [RoHS Certificate of Compliance \(PDF\)](#)

General

Product Family	Backplane Connectors
Series	<u>74057</u>
Application	Backplane
Application Tooling Documents	Tooling Manual
Comments	Backplane Header Module, Signal, Open
Component Type	PCB Header
Overview	<u>vhdm</u>
Product Name	VHDM®
Style	N/A

Physical

Circuits (Loaded)	60
Circuits (maximum)	60
Color - Resin	Black
Durability (mating cycles max)	200
First Mate / Last Break	No
Guide to Mating Part	No
Keying to Mating Part	None
Material - Metal	Beryllium Copper, High Performance Alloy (HPA)
Material - Plating Mating	Gold
Material - Plating Termination	Tin
Material - Resin	High Temperature Thermoplastic
Number of Columns	N/A
Number of Pairs	Open Pin Field
Number of Rows	6
Orientation	Vertical
PC Tail Length (in)	0.098 In
PC Tail Length (mm)	2.50 mm
PCB Locator	No
PCB Retention	None
PCB Thickness Recommended (in)	0.071 In
PCB Thickness Recommended (mm)	1.80 mm
Packaging Type	Tube
Pitch - Mating Interface (in)	0.079 In
Pitch - Mating Interface (mm)	2.00 mm
Pitch - Term. Interface (in)	0.079 In
Pitch - Term. Interface (mm)	2.00 mm
Plating min: Mating (µin)	30
Plating min: Mating (µm)	0.75
Plating min: Termination (µin)	30
Plating min: Termination (µm)	0.75
Polarized to PCB	Yes
Stackable	Yes
Surface Mount Compatible (SMC)	Yes



Series

image - Reference only

EU RoHS

ELV and RoHS Compliant

REACH SVHC

Contains SVHC: No

Halogen-Free

Status

Not Reviewed

China RoHS



Need more information on product environmental compliance?

Email productcompliance@molex.com
 For a multiple part number RoHS Certificate of Compliance, [click here](#)

Please visit the [Contact Us](#) section for any non-product compliance questions.

Search Parts in this Series

74057Series

Mates With

74030 VHDM® Board-to-Board Daughtercard Receptacle

Application Tooling | FAQ

Tooling specifications and manuals are found by selecting the products below. Crimp Height Specifications are then contained in the Application Tooling Specification document.

Global

Description	Product #
Flat Rock Tooling for Pneumatic Press	<u>0622013700</u>
VHDM® Insertion Module for Advanced Mate Signal Header, 6 Row by 11 Wide, 20.00mm (.787")	<u>0622011101</u>
VHDM® Signal Pin Inserter Repair Tool	<u>0622015700</u>

Temperature Range - Operating 105°C
Termination Interface: Style Through Hole - Compliant Pin

Electrical

Current - Maximum per Contact 1A
Data Rate 3.125 Gbps
Real Signals (per 25mm) 75
Shield Type Ground Plane Shield
Shielded Yes
Voltage - Maximum 120V AC (RMS)/DC

Material Info

Reference - Drawing Numbers

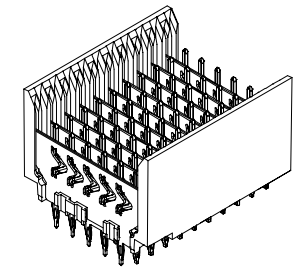
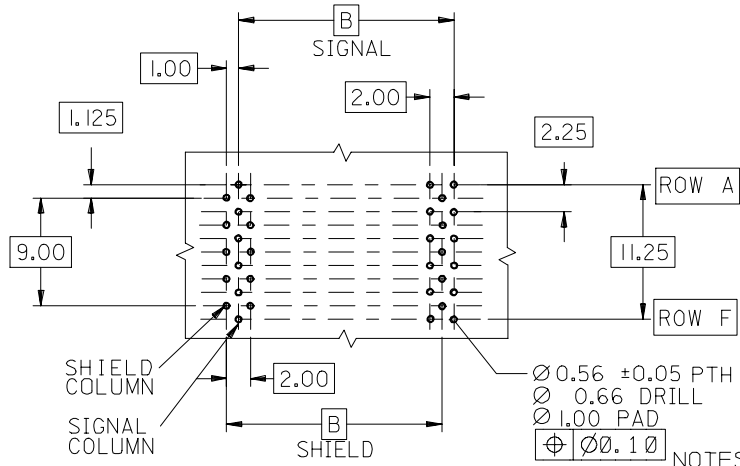
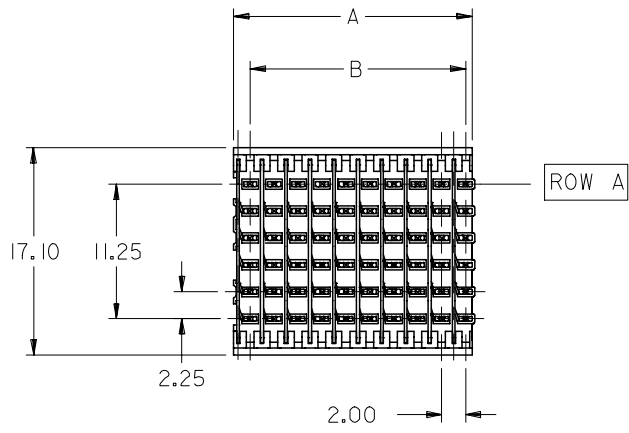
Packaging Specification PK-74057-003
Sales Drawing SD-74057-002

VHDM and Very High Density Metric are trademarks of Amphenol Corporation

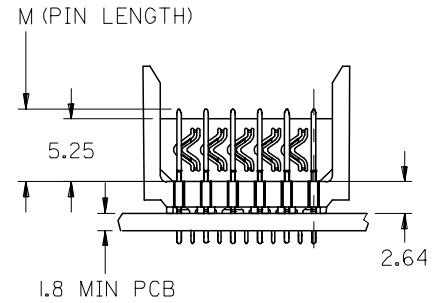
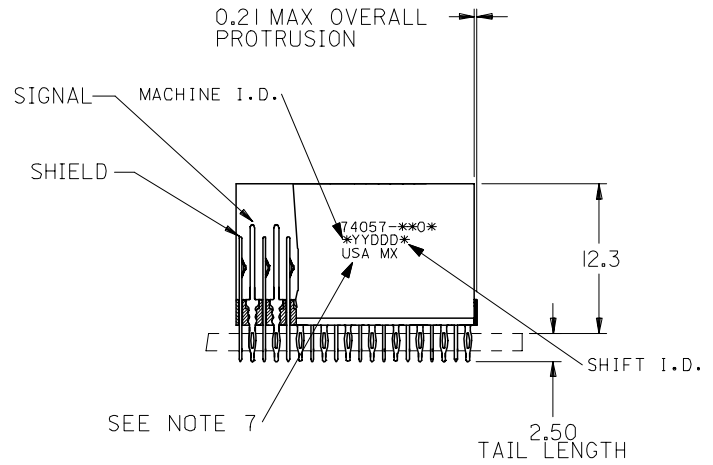
VHDM® 6 Row Pin and Shield Repair Tool [0622015800](#)
VHDM® 6 Row Shield Extraction Tool [0622016000](#)
VHDM® Insertion Module for Advanced Mate Signal Header, 6 Row by 10 Wide, 20.00mm (.787") [0622020203](#)
VHDM® Insertion Module for Advanced Mate Signal Header, 6 Row by 25 Wide, 50.00mm (1.97") [0622020204](#)
VHDM® Insertion Module for Advanced Mate Signal Header, 6 Row by 10 Wide, 20.00mm (.787") [0622020207](#)

This document was generated on 05/19/2010

PLEASE CHECK WWW.MOLEX.COM FOR LATEST PART INFORMATION



**BACKPLANE HOLE PATTERN
RECOMMENDED DIMENSIONS**



NOTES:

- MATERIALS:**
HOUSING - LIQUID CRYSTAL POLYMER (LCP), GLASS-FILLED, UL 94V-0, COLOR: BLACK
SIGNAL PIN & SHIELD - COPPER ALLOY
- FINISHES:**
CONTACT AREA: SELECTIVE GOLD (Au)
PCB TAILS: SELECTIVE TIN/LEAD (Sn/Pb) OR SELECTIVE MATTE TIN (Sn)
NICKEL (Ni) OVERALL.
- THIS PART CONFORMS TO MOLEX PRODUCT SPECIFICATION PS-74031-999
- FOR MIXED CONTACT LENGTHS CONSULT MOLEX FOR AVAILABILITY
- FOR SPECIFIC MATERIAL NUMBERS & MATING INFORMATION REFER TO SHEET 2
- PACKAGE PER PK-74057-003
- EITHER MARK PART WITH PART NUMBER & DATE CODE APPROXIMATELY WHERE SHOWN OR PLACE LABEL ON THE TUBE.

ADDED 15 COLUMN EC NO: UCP2006-1491 DRWNE: JONIAK 2006/01/19 CHKD: JONIAK 2006/01/19 APPR: CBIXLER 2006/01/23	QUALITY SYMBOLS ▽=0 ▽=0	GENERAL TOLERANCES (UNLESS SPECIFIED)		DIMENSION STYLE	SCALE	DESIGN UNITS	THIRD ANGLE PROJECTION	
				MM ONLY	2.5:1	METRIC		
				DRAWN BY	DATE	TITLE		
				MWANG	1998/11/09	VHDM 6 ROW OPEN END BACKPLANE SALES ASSEMBLY		
				CHECKED BY	DATE			
				JLAURX	1998/11/09			
				APPROVED BY	DATE			
				CBIXLER	1998/11/09			
				MATERIAL NO.	DOCUMENT NO.			
				SEE SHEET 3	SD-74057-002	MOLEX INCORPORATED		
				SIZE	THIS DRAWING CONTAINS INFORMATION THAT IS PROPRIETARY TO MOLEX INCORPORATED AND SHOULD NOT BE USED WITHOUT WRITTEN PERMISSION		SHEET NO.	
				B			1 OF 3	

10 9 8 7 6 5 4 3 2 1

F

E

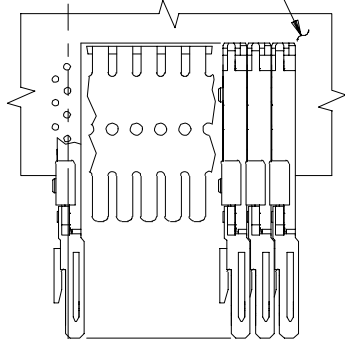
D

C

B

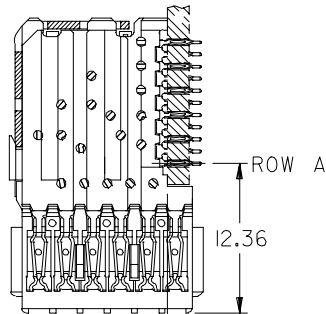
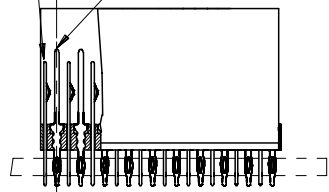
A

SIGNAL COLUMN
DAUGHTERCARD CONNECTOR SIDE



0.41 OFFSET
SIGNAL TO SIGNAL

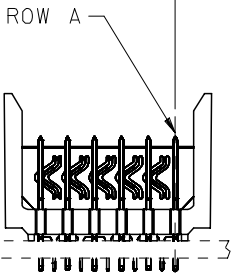
SHIELD
SIGNAL



ROW A

12.36

0.66
TOP DAUGHTERCARD
PCB TO ϕ ROW A



ROW A

MATERIAL NUMBER ASSIGNMENT

74057-**-** SEE TABLES (SHEET 3)

- NUMBER OF COLUMNS/PLATING
- 10 = 10 COLUMN TIN/LEAD
- 15 = 15 COLUMN TIN/LEAD
- 25 = 25 COLUMN TIN/LEAD
- 90 = 10 COLUMN MATTE TIN
- 95 = 15 COLUMN MATTE TIN
- 85 = 25 COLUMN MATTE TIN

ADDED 15 COLUMN EC NO: UCP2006-1491 DRWN: JONIAK 2006/01/19 CHKD: JONIAK 2006/01/19 APPR: CBIXLER 2006/01/23	QUALITY SYMBOLS ▽=0 ▽=0	GENERAL TOLERANCES (UNLESS SPECIFIED)		DIMENSION STYLE MM ONLY	SCALE ---	DESIGN UNITS METRIC	THIRD ANGLE PROJECTION	
			mm	INCH	DRAWN BY MWANG	DATE 1998/11/09	TITLE VHDM 6 ROW OPEN END BACKPLANE SALES ASSEMBLY	
		4 PLACES	±---	±---	CHECKED BY JLAURX	DATE 1998/11/09		
		3 PLACES	±---	±---	APPROVED BY CBIXLER	DATE 1998/11/09	MOLEX INCORPORATED	
2 PLACES	±---	±---	ANGULAR ±1/2°		MATERIAL NO. SEE SHEET 3	DOCUMENT NO. SD-74057-002	SHEET NO. 2 OF 3	
1 PLACE	±---	±---	DRAFT WHERE APPLICABLE MUST REMAIN WITHIN DIMENSIONS		THIS DRAWING CONTAINS INFORMATION THAT IS PROPRIETARY TO MOLEX INCORPORATED AND SHOULD NOT BE USED WITHOUT WRITTEN PERMISSION			

9

8

7

6

5

4

3

2

1

PART NUMBER	COLUMN	NUMBER OF SIGNAL PIN	NUMBER OF SHIELD	A	B	M	Au (um) THICKNESS
74057-1001	10	60	10	20.00	18.00	4.75	0.76
74057-1006							1.27
74057-1501	15	90	15	30.00	28.00		0.76
74057-1506							1.27
74057-2501	25	150	25	50.00	48.00		0.76
74057-2501							1.27
74057-1002	10	60	10	20.00	18.00	0.76	
74057-1007						1.27	
74057-1502	15	90	15	30.00	28.00	0.76	
74057-1507						1.27	
74057-2502	25	150	25	50.00	48.00	0.76	
74057-2507						1.27	
74057-1003	10	60	10	20.00	18.00	0.76	
74057-1008						1.27	
74057-1503	15	90	15	30.00	28.00	0.76	
74057-1508						1.27	
74057-2503	25	150	25	50.00	48.00	0.76	
74057-2508						1.27	
74057-1004	10	60	10	20.00	18.00	0.76	
74057-1009						1.27	
74057-1504	15	90	15	30.00	28.00	0.76	
74057-1509						1.27	
74057-2504	25	150	25	50.00	48.00	0.76	
74057-2509						1.27	

TIN/LEAD CHART

PART NUMBER	COLUMN	NUMBER OF SIGNAL PIN	NUMBER OF SHIELD	A	B	M	Au (um) THICKNESS
74057-9001	10	60	10	20.00	18.00	4.75	0.76
74057-9006							1.27
74057-9501	15	90	15	30.00	28.00		0.76
74057-9506							1.27
74057-8501	25	150	25	50.00	48.00		0.76
74057-8501							1.27
74057-9002	10	60	10	20.00	18.00	0.76	
74057-9007						1.27	
74057-9502	15	90	15	30.00	28.00	0.76	
74057-9507						1.27	
74057-8502	25	150	25	50.00	48.00	0.76	
74057-8507						1.27	
74057-9003	10	60	10	20.00	18.00	0.76	
74057-9008						1.27	
74057-9503	15	90	15	30.00	28.00	0.76	
74057-9508						1.27	
74057-8503	25	150	25	50.00	48.00	0.76	
74057-8508						1.27	
74057-9004	10	60	10	20.00	18.00	0.76	
74057-9009						1.27	
74057-9504	15	90	15	30.00	28.00	0.76	
74057-9509						1.27	
74057-8504	25	150	25	50.00	48.00	0.76	
74057-8509						1.27	

LEAD FREE CHART

ADDED 15 COLUMN EC NO: UCP2006-1491 DRW: JJONIAK 2006/01/19 CHKD: JJONIAK 2006/01/19 APPR: CBIXLER 2006/01/23	QUALITY SYMBOLS ▽=0 ▽=0	GENERAL TOLERANCES (UNLESS SPECIFIED)		DIMENSION STYLE MM ONLY		SCALE ---	DESIGN UNITS METRIC	THIRD ANGLE PROJECTION	
			mm	INCH	DRAWN BY JJONIAK	DATE 2006/01/10	TITLE VHDM 6 ROW OPEN END BACKPLANE SALES ASSEMBLY		
		4 PLACES	±---	±---	CHECKED BY JJONIAK	DATE 2006/01/10			
		3 PLACES	±---	±---	APPROVED BY JJONIAK	DATE 2006/01/10	MOLEX INCORPORATED		
2 PLACES	±---	±---	ANGULAR ±1/2°						
1 PLACE	±---	±---	DRAFT WHERE APPLICABLE MUST REMAIN WITHIN DIMENSIONS		MATERIAL NO. SEE CHARTS	DOCUMENT NO. SD-74057-002	SHEET NO. 3 OF 3		
			THIS DRAWING CONTAINS INFORMATION THAT IS PROPRIETARY TO MOLEX INCORPORATED AND SHOULD NOT BE USED WITHOUT WRITTEN PERMISSION						