

# Common Mode Inductor

## High Isolation

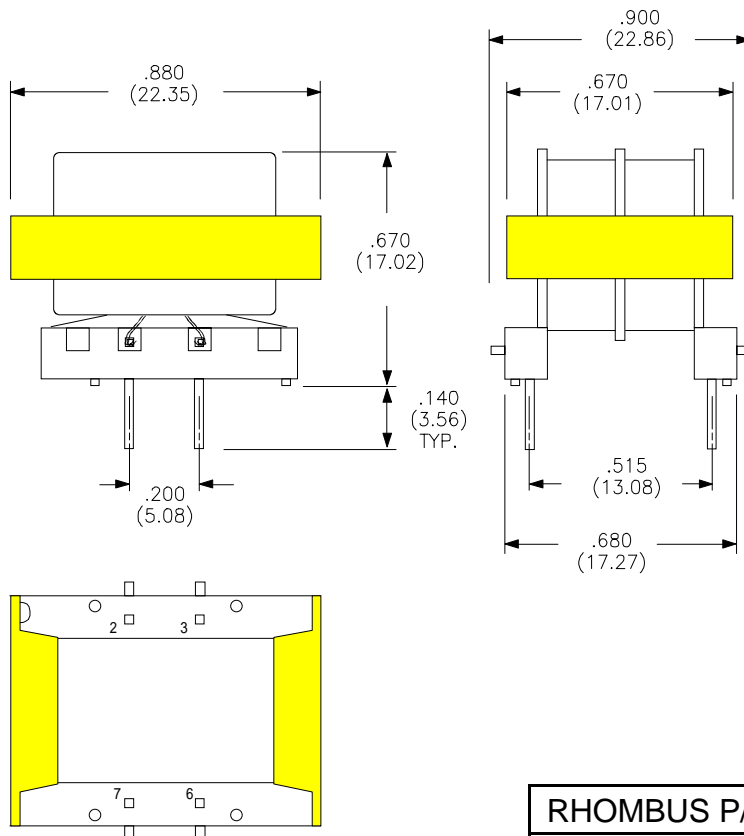
Parameter	Min.	Max.	Units
Inductance *	1.2		mH
DCR		219	mΩ
Leakage Inductance		47	μH
Interwinding Capacitance		11.5	pF

Windings Balanced to within 1%  
 Rated Current 0.88 A  
 Hipot (Isolation) 3000 VAC  
 Insulation Resistance 100MΩ  
 Temperature Rise 60°C Max  
 SRF > than 900 kHz Typical.

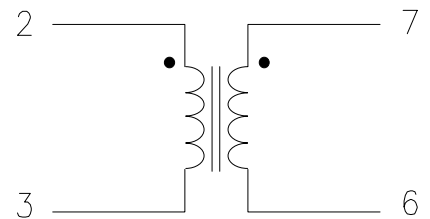
\* Inductance tested at 100mV<sub>RMS</sub> and 10 kHz

### Physical Dimensions

inches (mm)



### Schematic Diagram



RHOMBUS P/N: L-16016H	
CUST P/N:	NAME:
DATE: 3/7/97	SHEET: 1 OF 1