

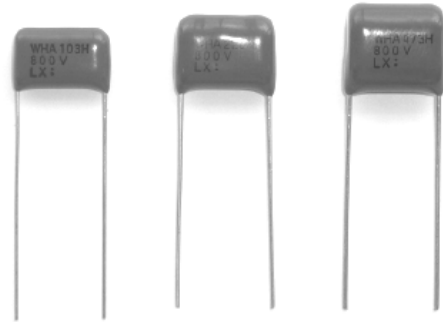
## Metallized Polypropylene Film Capacitors

Type: **ECWH(A)**

Designed for high frequency and current applications.

### ■ Features

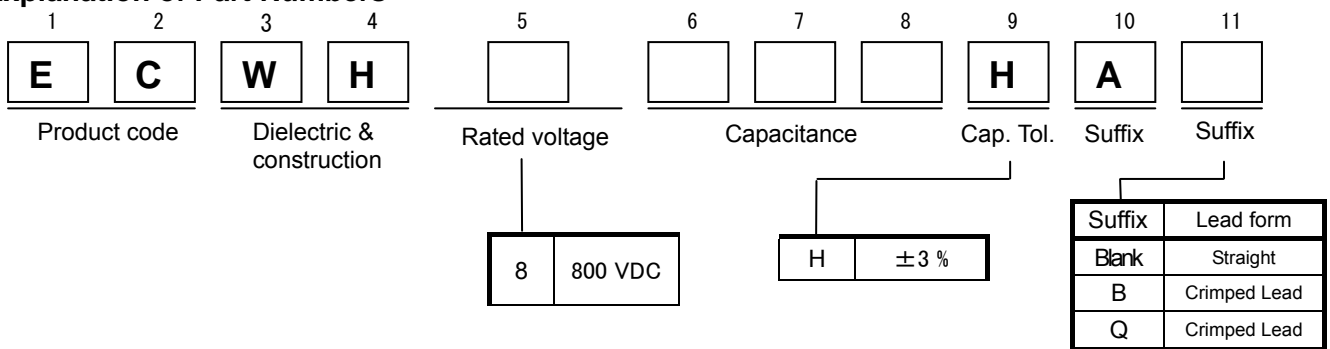
- Small size
- Excellent frequency characteristics
- Low loss
- Low Hum Sound Noise
- RoHS directive compliant



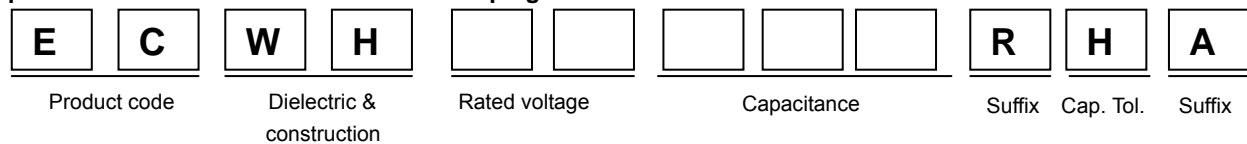
### ■ Recommended Applications

- Resonance circuit for power supply

### ■ Explanation of Part Numbers



### ● Explanation of Part Numbers for Odd Size Taping



### ■ Specifications

Category temp. range (Including temperature-rise on unit surface)	-40 °C to +105 °C
Rated voltage	800 VDC
Capacitance range	0.010 uF to 0.047 uF
Capacitance tolerance	±3% (H)
Withstand voltage	Between terminals: Rated voltage(VDC) × 150 % 60 s
Dissipation factor (tan δ)	tan δ ≤ 0.1 % (20 °C, 1 kHz)
Insulation resistance (IR)	IR ≥ 30000 MΩ (20 °C, 500 VDC, 60 s)

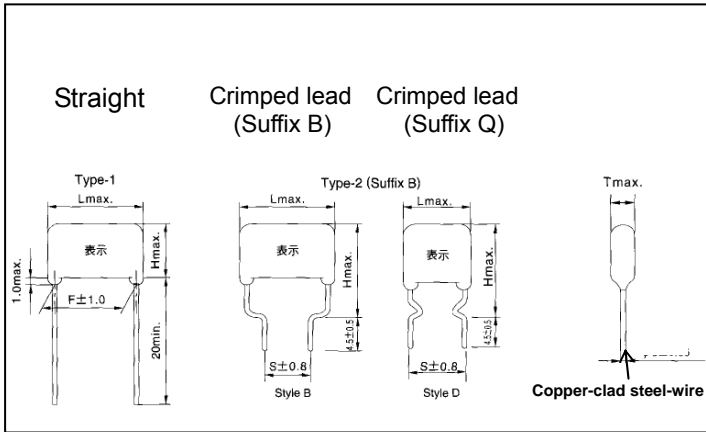
\*In case of applying voltage in alternating current (50 Hz or 60 Hz sine wave) to a capacitor with DC rated voltage, please refer to the page of "Permissible voltage (R.M.S) in alternating current corresponding to DC rated voltage".

### ■ Dimensions in mm (not to scale)

### ■ Packing Specifications for Bulk Package

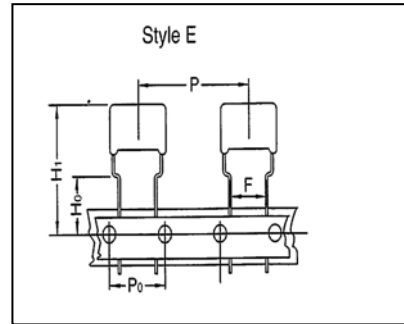
Design, Specifications are subject to change without notice. Ask factory for technical specifications before purchase and/or use. Whenever a doubt about safety arises from this product, please inform us immediately for technical consultation without fail.

Packing quantity: 100 pcs/bag



## ■ Taping Specifications for Automatic Insertion

### ● Taping style



※Refer to the page of taping specifications.

### ● Packaging Specifications

Type	Rated voltage	Cap. Range (uF)	Taping Style						Packing	Suffix	
			AD	AS	B	C	D	E			
ECWH(A)	800 VDC	0.010 to 0.047							○	Ammo	RHA

### ● Lead Spacing

Style	Lead spacing
E	7.5 mm

## ■ Rating, Dimension & Quantity / Ammo Box

### ● Type ECWH(A) Rated voltage : 800 VDC

Part No.	Capacitance (uF)	Dimensions (mm)									Quantity
		L <sup>max</sup>	T <sup>max</sup>	H <sup>max</sup>			F	S		Φ d	
				Straight	Crimped lead (Suffix B)	Crimped lead (Suffix Q)		Straight	Crimped lead (Suffix B)		
ECWH8103HA( )	0.010	15.4	5.4	9.8	14.8	14.8	12.5	7.5	12.5	0.6	500
ECWH8123HA( )	0.012	15.4	5.8	10.2	15.2	15.2	12.5	7.5	12.5	0.6	
ECWH8153HA( )	0.015	15.4	6.2	10.6	15.6	15.6	12.5	7.5	12.5	0.6	
ECWH8183HA( )	0.018	15.7	6.6	11.0	16.0	18.0	12.5	7.5	12.5	0.8	
ECWH8223HA( )	0.022	15.7	7.1	11.5	16.5	18.5	12.5	7.5	12.5	0.8	400
ECWH8273HA( )	0.027	15.7	7.6	12.0	17.0	19.0	12.5	7.5	12.5	0.8	
ECWH8333HA( )	0.033	15.7	8.4	12.8	17.8	19.8	12.5	7.5	12.5	0.8	300
ECWH8393HA( )	0.039	15.7	8.9	13.3	18.3	20.3	12.5	7.5	12.5	0.8	
ECWH8473HA( )	0.047	15.7	9.7	14.1	19.1	21.1	12.5	7.5	12.5	0.8	

