

**PLEASE CHECK WWW.MOLEX.COM FOR LATEST PART INFORMATION**

**Part Number:** [0752372103](#)  
**Status:** **Active**  
**Overview:** [gbx\\_backplane\\_connector\\_system](#)  
**Description:** 1.85mm by 1.85mm (.073 by .073") Pitch 5-Pair GbX® Backplane Connector System, Left Guide Header, 100 Circuits, Gold (Au) 0.76µm (30µ"), Pin Length 3.55mm (.140")

**Documents:**

[Drawing \(PDF\)](#) [RoHS Certificate of Compliance \(PDF\)](#)  
[Product Specification PS-75221-999 \(PDF\)](#)

**Agency Certification**

UL E29179

**General**

Product Family Backplane Connectors  
 Series [75237](#)  
 Application Backplane  
 Application Tooling Documents [Tooling Manual](http://www.molex.com/pdm_docs/ats/TM-622022099.pdf)  
 Comments Left Guide Header, No Keying Position  
 Component Type PCB Header  
 Overview [gbx\\_backplane\\_connector\\_system](#)  
 Product Name GbX®  
 Style N/A

**Physical**

Circuits (Loaded) 100  
 Circuits (maximum) 100  
 Color - Resin Gray (Dark)  
 Durability (mating cycles max) 200  
 First Mate / Last Break No  
 Flammability 94V-0  
 Guide to Mating Part Yes  
 Keying to Mating Part Yes  
 Material - Metal High Performance Alloy (HPA), Stainless Steel  
 Material - Plating Mating Gold  
 Material - Plating Termination Tin-Lead  
 Material - Resin High Temperature Thermoplastic  
 Number of Columns 10  
 Number of Pairs 5  
 Number of Rows 10  
 Orientation Vertical  
 PC Tail Length (in) 0.091 In  
 PC Tail Length (mm) 2.30 mm  
 PCB Locator No  
 PCB Retention Yes  
 PCB Thickness Recommended (in) 0.063 In  
 PCB Thickness Recommended (mm) 1.60 mm  
 Packaging Type Tray  
 Pitch - Mating Interface (in) 0.073 In  
 Pitch - Mating Interface (mm) 1.85 mm  
 Pitch - Term. Interface (in) 0.073 In  
 Pitch - Term. Interface (mm) 1.85 mm  
 Plating min: Mating (µin) 30  
 Plating min: Mating (µm) 0.76  
 Plating min: Termination (µin) 30

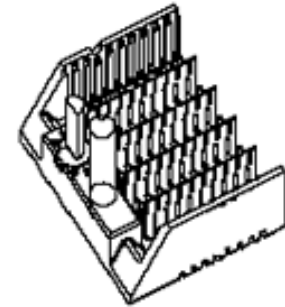


image - Reference only

Series

**EU RoHS**

**RoHS Compliant by Exemption**

**REACH SVHC**

Not Reviewed

**Halogen-Free**

Status

**Not Reviewed**

**China RoHS**



**Need more information on product environmental compliance?**

Email [productcompliance@molex.com](mailto:productcompliance@molex.com)  
 For a multiple part number RoHS Certificate of Compliance, [click here](#)

Please visit the [Contact Us](#) section for any non-product compliance questions.

**Search Parts in this Series**

[75237Series](#)

**Mates With**

[75360 GbX® Daughtercard](#)

**Application Tooling | FAQ**

*Tooling specifications and manuals are found by selecting the products below. Crimp Height Specifications are then contained in the Application Tooling Specification document.*

**Global**

| Description          | Product #                  |
|----------------------|----------------------------|
| Insertion Tool, GbX® | <a href="#">0622022030</a> |
| 5 pair by 10 wide    |                            |
| Insertion Tool, GbX® | <a href="#">0622022040</a> |
| 5 pair by 20 wide    |                            |
| GbX® Single Pin      | <a href="#">0622022090</a> |
| Repair Tool          |                            |
| GbX® Shield          | <a href="#">0622022100</a> |
| Removal Tool         |                            |

|                                |                              |
|--------------------------------|------------------------------|
| Plating min: Termination (µm)  | 0.76                         |
| Polarized to PCB               | No                           |
| Stackable                      | No                           |
| Surface Mount Compatible (SMC) | Yes                          |
| Temperature Range - Operating  | 105°C                        |
| Termination Interface: Style   | Through Hole - Compliant Pin |

### **Electrical**

|                               |                     |
|-------------------------------|---------------------|
| Current - Maximum per Contact | 1A                  |
| Data Rate                     | 8.0 Gbps            |
| Real Signals (per 25mm)       | 135                 |
| Shield Type                   | Ground Plane Shield |
| Shielded                      | Yes                 |
| Voltage - Maximum             | 120V AC (RMS)/DC    |

### **Material Info**

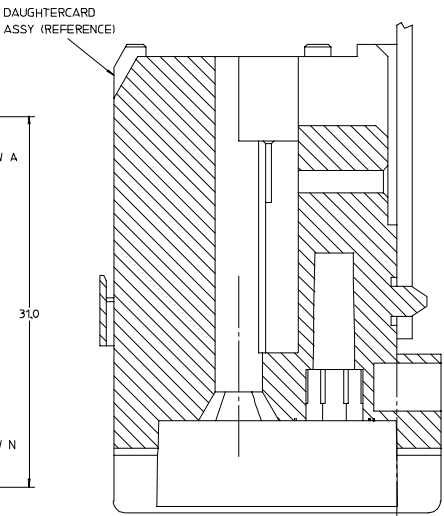
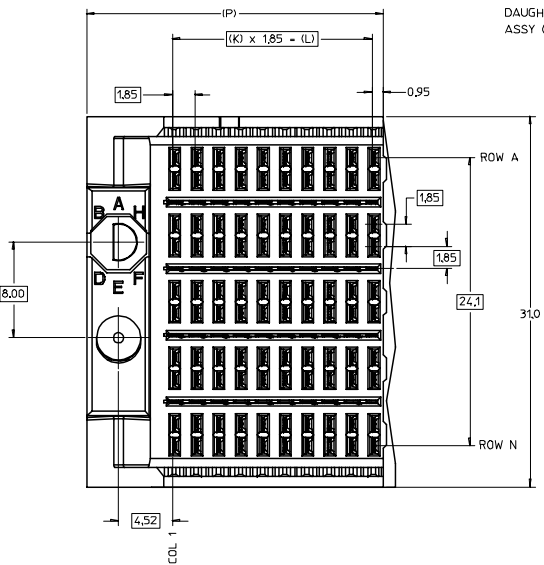
#### **Reference - Drawing Numbers**

|                       |              |
|-----------------------|--------------|
| Product Specification | PS-75221-999 |
| Sales Drawing         | SD-75237-210 |

GbX is a registered trademark of Amphenol Corporation.

This document was generated on 05/17/2010

**PLEASE CHECK [WWW.MOLEX.COM](http://WWW.MOLEX.COM) FOR LATEST PART INFORMATION**



- NOTES:
1. MATERIAL: HOUSING - LIQUID CRYSTAL POLYMER (LCP) GLASS-FILLED, UL 94V-0, COLOR - GRAY, SIGNAL CONTACT AND GROUND BLADE - HIGH PERFORMANCE COPPER ALLOY.
  2. FINISHES: SELECTIVE GOLD (Au) ON CONTACT AREA, SELECTIVE TIN/LEAD (Sn/Pb) ON PCB TAILS, NICKEL (Ni) OVERALL.
  3. THIS PART CONFORMS TO MOLEX PRODUCT SPECIFICATION PS-75221-999.
  4. FOR MIXED CONTACT MATING LENGTHS CONSULT MOLEX FOR AVAILABILITY. CONTACT PAIRS MUST BE THE SAME LENGTH.
  5. FOR SPECIFIC PART NUMBER AND MATING INFORMATION PLEASE REFER TO CHART.
  6. PACKAGE PER PK-70873-565.
  7. MARK PART NUMBER AND DATE CODE APPROXIMATELY WHERE SHOWN.
  8. OPTIONAL HOLE LOCATION FOR GROUNDED GUIDE PIN OR ADDITIONAL GUIDE PIN SUPPORT, FOR GROUNDED GUIDE PIN, HOLE TO BE PLATED, DRILL SIZE  $\varnothing 2.58$ , PAD SIZE  $\varnothing 5.50$
  9. THESE PARTS CONFORM TO MOLEX COSMETIC SPECIFICATION PS-45499-002 CLASS B.

MODULE ORIENTATION  
2- LEFT

75237-2\*\*\*

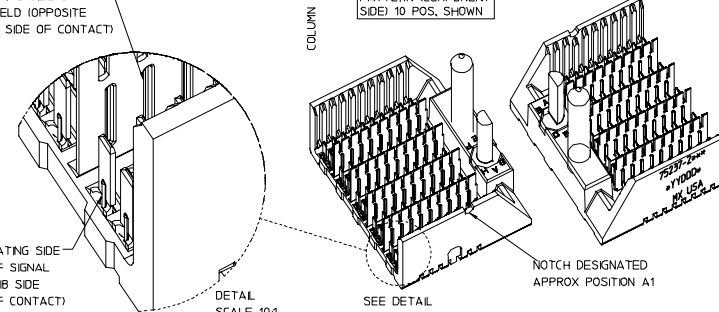
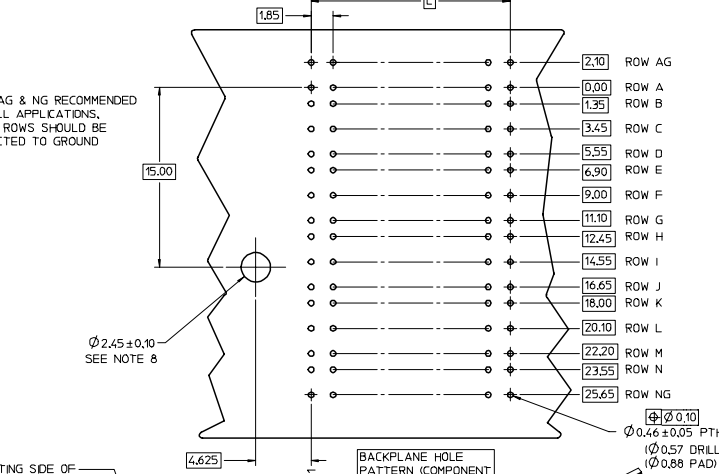
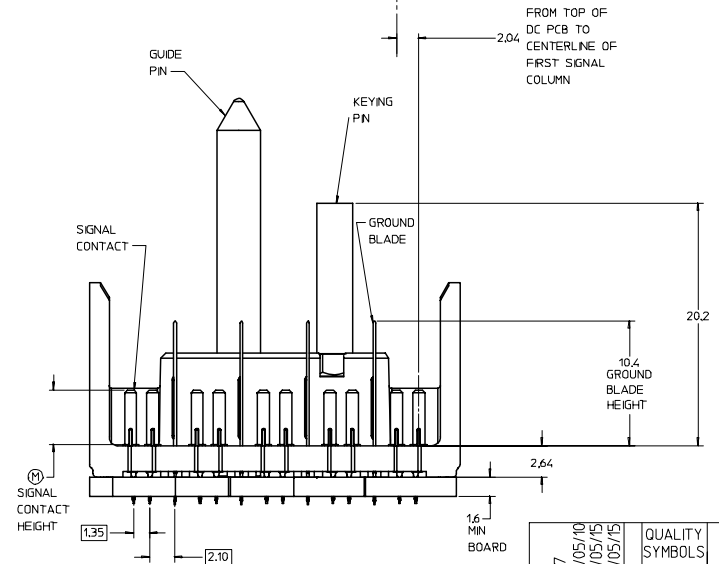
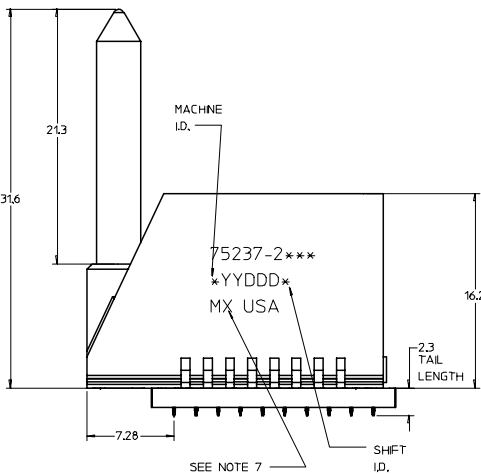
COLUMN  
1 = 10 COL  
2 = 25 COL

PIN LENGTH  
DIM "M"  
3-3.55 mm  
4-4.55 mm  
5-5.55 mm

KEYING ORIENTATION (SEE TABLE)

PART NUMBER TABLE

| ASSY PART NO. | K  | L     | P     | TOTAL NO. OF DIFFERENTIAL PAIRS |
|---------------|----|-------|-------|---------------------------------|
| 75237-210*    | 9  | 16.65 | 24.78 | 50                              |
| 75237-220*    | 24 | 44.40 | 52.53 | 125                             |



| P/N 75237-( )          | -**0* | -**1* | -**2* | -**3* | -**4* | -**5* | -**6* | -**7* | -**8* |
|------------------------|-------|-------|-------|-------|-------|-------|-------|-------|-------|
| KEYING PIN ORIENTATION | A     | B     | C     | D     | E     | F     | G     | H     |       |
|                        |       |       |       |       |       |       |       |       |       |

|   |  |   |                             |                     |   |                           |
|---|--|---|-----------------------------|---------------------|---|---------------------------|
| REVISED<br>EC NO: UCP 2007-2827<br>DRWN: JINGHAM 2007/05/10<br>CHKD: 2007/05/15<br>APPR: SREED 2007/05/15 | QUALITY SYMBOLS                                      | GENERAL TOLERANCES (UNLESS SPECIFIED)   | SCALE 5:1                   | DESIGN UNITS METRIC | THIRD ANGLE PROJECTION  | REVISE ON CAD ONLY        |
|   | 0.0  | 4 PLACES ± mm INCH<br>3 PLACES ± --- ± ---<br>2 PLACES ± --- ± ---<br>1 PLACE ± --- ± --- | DIMENSION STYLE MM ONLY     | TITLE               | GBX 5-PAIR LEFT END BACKPLANE SALES ASSEMBLY  |                           |
| 0.1   | DRAFT WHERE APPLICABLE MUST REMAIN WITHIN DIMENSIONS | APPROVED BY CBIXLER 2004/03/11  | CHECKED BY SREED 2004/03/11 | DATE 2004/03/11     | MATERIAL NO. SEE CHART  | DOCUMENT NO. SD-75237-210 |
|   |  |   |                             |                     | MOLEX MOLEX INCORPORATED  | SHEET NO. 1 OF 1          |
|   |  |   |                             |                     | THIS DRAWING CONTAINS INFORMATION THAT IS PROPRIETARY TO MOLEX INCORPORATED AND SHOULD NOT BE USED WITHOUT WRITTEN PERMISSION |                           |