

PLEASE CHECK WWW.MOLEX.COM FOR LATEST PART INFORMATION

Part Number: [0354209902](#)
Status: **Active**
Description: Tab Crimp Terminal 35420, AVSS 2f

Documents:

Drawing (PDF)	Product Specification PS-35385-001 (PDF)
Product Specification PS-35282-001 (PDF)	RoHS Certificate of Compliance (PDF)

General

Product Family	Crimp Terminals
Series	35420
Crimp Quality Equipment	Yes
Product Name	N/A

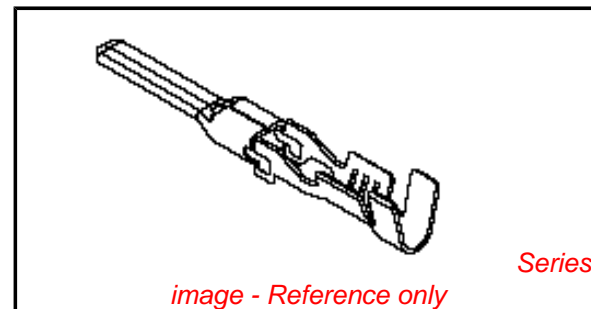
Physical

Gender	Male
Material - Metal	Brass
Material - Plating Mating	Tin
Material - Plating Termination	Tin
Packaging Type	Reel
Termination Interface: Style	Crimp or Compression
Wire Insulation Diameter	2.80mm (.110") max.
Wire Size AWG	14
Wire Size mm ²	N/A

Material Info

Reference - Drawing Numbers

Product Specification	PS-35282-001, PS-35385-001
Sales Drawing	SD-35420-9*02



EU RoHS

**ELV and RoHS
Compliant**

REACH SVHC

Contains SVHC: No

Halogen-Free

Status

Halogen-Free

China RoHS



**Need more information on product
environmental compliance?**

Email productcompliance@molex.com
 For a multiple part number RoHS Certificate of
 Compliance, [click here](#)

Please visit the [Contact Us](#) section for any
 non-product compliance questions.

Search Parts in this Series

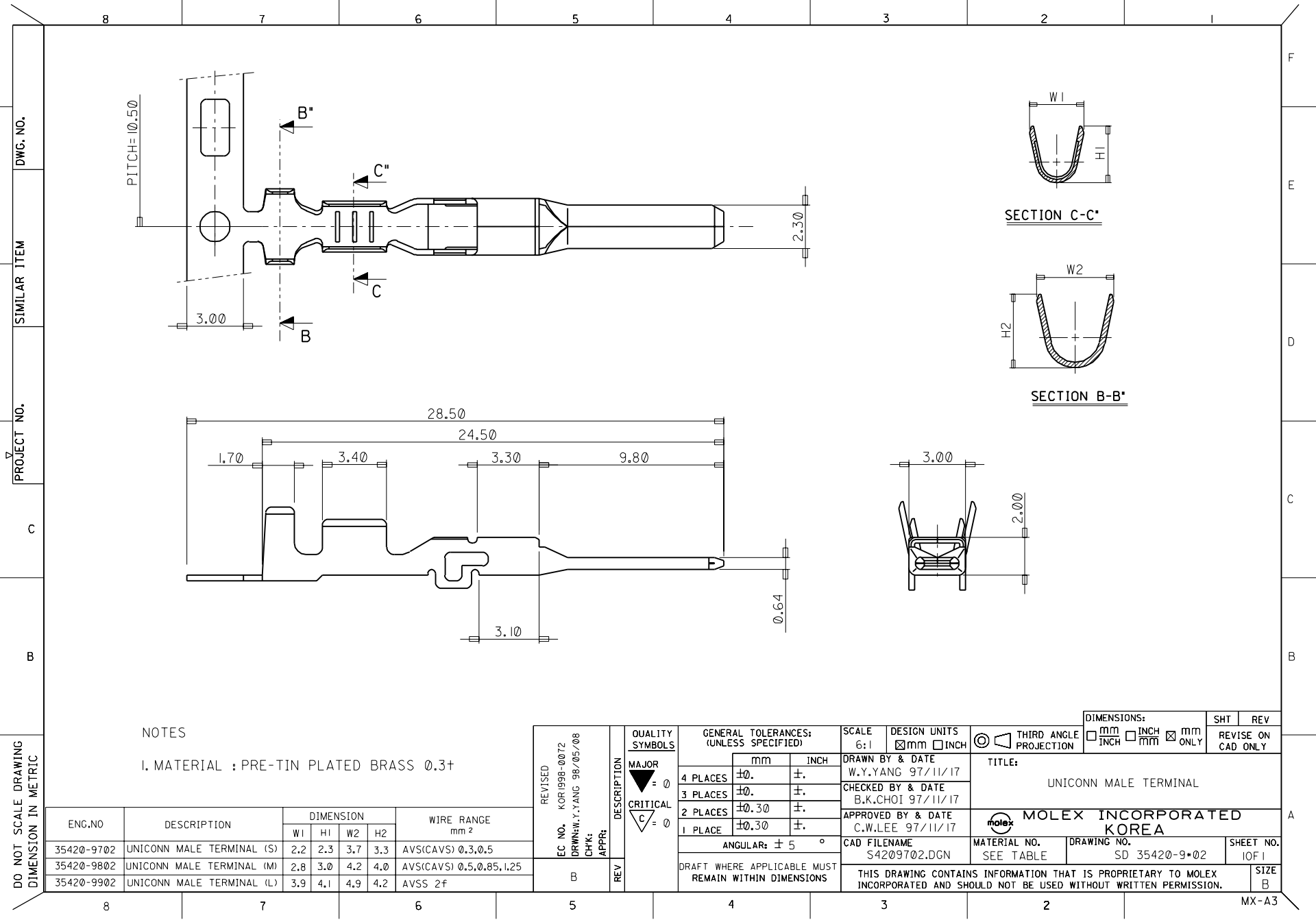
[35420Series](#)

Mates With

35421

Use With

35380 , 35376



NOTES

1. MATERIAL : PRE-TIN PLATED BRASS 0.3+

ENG.NO	DESCRIPTION	DIMENSION				WIRE RANGE mm ²
		W1	H1	W2	H2	
35420-9702	UNICONN MALE TERMINAL (S)	2.2	2.3	3.7	3.3	AVS(CAVS) 0.3,0.5
35420-9802	UNICONN MALE TERMINAL (M)	2.8	3.0	4.2	4.0	AVS(CAVS) 0.5,0.85,1.25
35420-9902	UNICONN MALE TERMINAL (L)	3.9	4.1	4.9	4.2	AVSS 2f

REVISED	EC NO. KOR 998-0072	QUALITY SYMBOLS
	DRWN:W.YANG 98/05/08	MAJOR $\nabla = \emptyset$
	CHK: CHK:	CRITICAL $\nabla C = \emptyset$
	APPR:	
REV	B	

GENERAL TOLERANCES: (UNLESS SPECIFIED)	
	mm INCH
4 PLACES	$\pm 0. \quad \pm$
3 PLACES	$\pm 0. \quad \pm$
2 PLACES	$\pm 0.30 \quad \pm$
1 PLACE	$\pm 0.30 \quad \pm$
ANGULAR: $\pm 5^\circ$	
DRAFT WHERE APPLICABLE MUST REMAIN WITHIN DIMENSIONS	

SCALE 6:1	DESIGN UNITS <input checked="" type="checkbox"/> mm <input type="checkbox"/> INCH
DRAWN BY & DATE W.Y.YANG 97/11/17	
CHECKED BY & DATE B.K.CHOI 97/11/17	
APPROVED BY & DATE C.W.LEE 97/11/17	
CAD FILENAME S4209702.DGN	MATERIAL NO. SEE TABLE

DIMENSIONS: <input type="checkbox"/> mm <input type="checkbox"/> INCH <input checked="" type="checkbox"/> mm ONLY		SHT	REV
THIRD ANGLE PROJECTION		REVISE ON CAD ONLY	
TITLE: UNICONN MALE TERMINAL			
CAD FILENAME S4209702.DGN	MATERIAL NO. SEE TABLE	DRAWING NO. SD 35420-9*02	SHEET NO. 10F1
THIS DRAWING CONTAINS INFORMATION THAT IS PROPRIETARY TO MOLEX INCORPORATED AND SHOULD NOT BE USED WITHOUT WRITTEN PERMISSION.			SIZE B