

PLEASE CHECK WWW.MOLEX.COM FOR LATEST PART INFORMATION

Part Number: [0351551012](#)
Status: **Active**
Description: 2.50mm (.098") Pitch Wire-to-Board Housing, Positive Lock, Red, 10 Circuits

Documents:

[3D Model](#) [Product Specification PS-35155-003 \(PDF\)](#)
[Drawing \(PDF\)](#) [RoHS Certificate of Compliance \(PDF\)](#)

Agency Certification

CSA	LR19980
TUV	R72081037
UL	E29179

General

Product Family	Crimp Housings
Series	35155
Product Name	N/A

Physical

Breakaway	No
Circuits (maximum)	10
Color - Resin	Natural
Flammability	94V-0
Gender	Female
Glow-Wire Compliant	No
Keying to Mating Part	None
Lock to Mating Part	Yes
Material - Resin	Polyester
Number of Rows	1
Packaging Type	Bag
Panel Mount	No
Pitch - Mating Interface (in)	0.098 In
Pitch - Mating Interface (mm)	2.50 mm
Polarized to Mating Part	Yes
Temperature Range - Operating	-40°C to +105°C

Material Info

Reference - Drawing Numbers

Product Specification	PS-35155-003
Sales Drawing	SD-35155-001



EU RoHS

**ELV and RoHS
Compliant**
REACH SVHC
 Not Reviewed
**Halogen-Free
Status**

China RoHS



**Need more information on product
environmental compliance?**

Email productcompliance@molex.com
 For a multiple part number RoHS Certificate of
 Compliance, [click here](#)

Please visit the [Contact Us](#) section for any
 non-product compliance questions.

Search Parts in this Series

[35155Series](#)

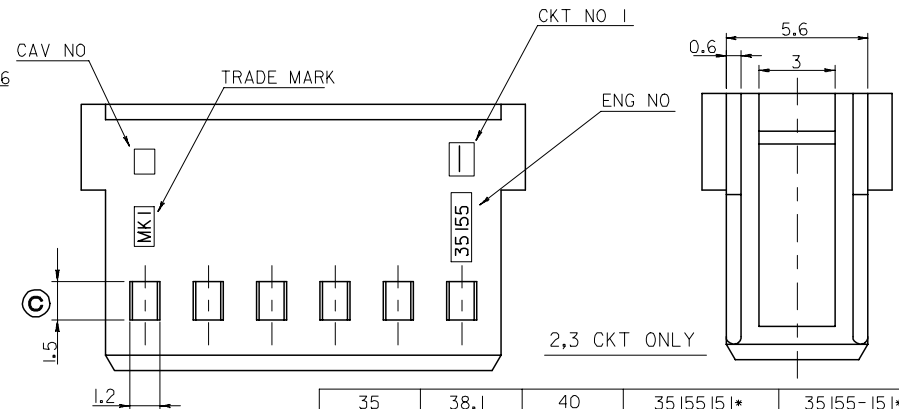
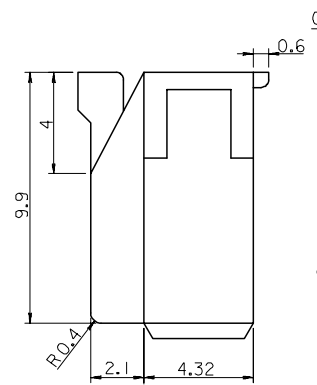
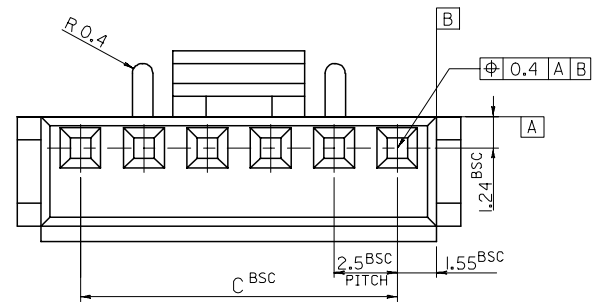
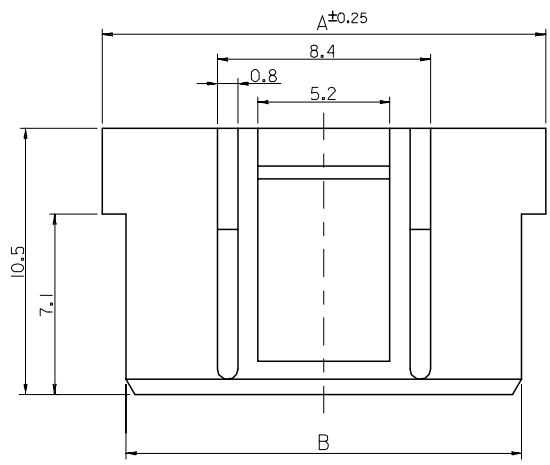
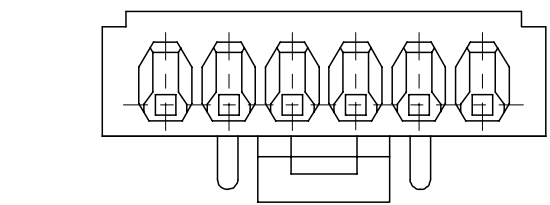
Mates With

[35312](#) Vertical Shrouded Header, [35184](#)
 Wire-to-Wire Plug Housing

Use With

[5103](#) SPOX™ Crimp Terminal

DWG. NO. SD-35155-001
 PROJECT NO. 35155-**-0*
 SIMILAR ITEM
 DO NOT SCALE DRAWING DIMENSION IN METRIC



LEGEND
 35155 - ** I *
 COLOR : 0 --- NATURAL
 1 --- BLACK
 2 --- RED
 3 --- YELLOW
 4 --- BLUE
 CKT (02,03,04 ...)

35	38.1	40	35155151*	35155-151*	15
32.5	35.6	37.5	141*	-141*	14
30	33.1	35	131*	-131*	13
27.5	30.6	32.5	121*	-121*	12
25	28.1	30	111*	-111*	11
22.5	25.6	27.5	101*	-101*	10
20	23.1	25	091*	-091*	9
17.5	20.6	22.5	081*	-081*	8
15	18.1	20	071*	-071*	7
12.5	15.6	17.5	061*	-061*	6
10	13.1	15	051*	-051*	5
7.5	10.6	12.5	041*	-041*	4
5	8.1	10	031*	-031*	3
2.5	5.6	7.5	35155021*	35155-021*	2
C	B	A	MATERIAL NO.	ENG NO.	CKT.

NOTE
 1. MATERIAL ; PBT UL 94V-0
 2. USED WITH TERMINAL : 5103-PBT9
 3. MATED WITH WAFER ASS'Y : 35312-****

Revised ECN NO. KOR2006-0105 DRWN: J.H.Lee 0/03/22 CHK: Y.SooKim 05/12/12 APPR: S.H.Chol	QUALITY SYMBOLS MAJOR CRITICAL	GENERAL TOLERANCES: (UNLESS SPECIFIED)	SCALE 5-1 DESIGN UNITS <input checked="" type="checkbox"/> mm <input type="checkbox"/> INCH	THIRD ANGLE PROJECTION <input checked="" type="checkbox"/> THIRD ANGLE <input type="checkbox"/> FIRST ANGLE	DIMENSIONS: <input type="checkbox"/> mm <input type="checkbox"/> INCH <input checked="" type="checkbox"/> mm ONLY	SHT REV
	DESCRIPTION D	4 PLACES ±0.1 ± 3 PLACES ±0.1 ±± 2 PLACES ±0.1 ±± 1 PLACE ±0.1 ±±	ANGULAR: ± 1 °	DRAWN BY & DATE K.S.Kim 04/08/10 CHECKED BY & DATE Y.Soo.Kim 04/08/26 APPROVED BY & DATE C.W.Lee 04/08/26	TITLE: 2.5 PITCH W/B CONN. HOUSING (WITH LOCK)	MOLEX INCORPORATED
DRAFT WHERE APPLICABLE MUST REMAIN WITHIN DIMENSIONS	THIS DRAWING CONTAINS INFORMATION THAT IS PROPRIETARY TO MOLEX INCORPORATED AND SHOULD NOT BE USED WITHOUT WRITTEN PERMISSION.	CAD FILENAME SD-35155-001	MATERIAL NO. SEE TABLE	DRAWING NO. SD-35155-001	SHEET NO. 1/1	SIZE B