

Silicon NPN Power Transistors

2SD1894

DESCRIPTION

- With TO-3PFa package
- Optimum for 60W HiFi output
- High forward current transfer ratio
- Low collector saturation voltage
- Complement to type 2SB1254

APPLICATIONS

- Power amplification

PINNING

PIN	DESCRIPTION
1	Base
2	Collector
3	Emitter

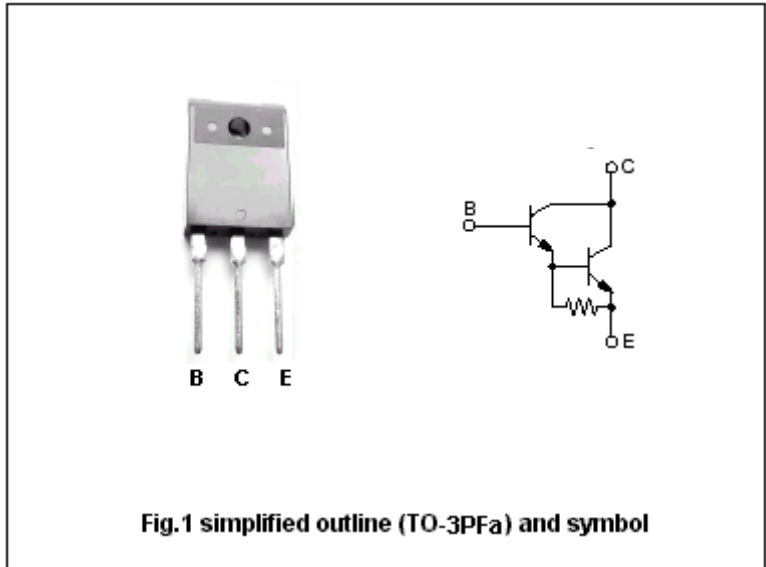


Fig.1 simplified outline (TO-3PFa) and symbol

Absolute maximum ratings(Ta=25)

SYMBOL	PARAMETER	CONDITIONS	VALUE	UNIT
V _{CB0}	Collector-base voltage	Open emitter	160	V
V _{CEO}	Collector-emitter voltage	Open base	140	V
V _{EBO}	Emitter-base voltage	Open collector	5	V
I _C	Collector current		7	A
I _{CP}	Collector current-peak		12	A
P _C	Collector power dissipation	T _C =25	70	W
			3	
T _j	Junction temperature		150	
T _{stg}	Storage temperature		-55~150	

Silicon NPN Power Transistors

2SD1894

CHARACTERISTICS

T_j=25 unless otherwise specified

SYMBOL	PARAMETER	CONDITIONS	MIN	TYP.	MAX	UNIT
V _{CEO}	Collector-emitter voltage	I _C =30mA ; I _B =0	140			V
V _{CEsat}	Collector-emitter saturation voltage	I _C =6A ; I _B =6mA			2.5	V
V _{BEsat}	Emitter-base saturation voltage	I _C =6A ; I _B =6mA			3.0	V
I _{CBO}	Collector cut-off current	V _{CB} =160V ; I _E =0			100	μ A
I _{CEO}	Collector cut-off current	V _{CE} =140V ; I _B =0			100	μ A
I _{EBO}	Emitter cut-off current	V _{EB} =5V ; I _C =0			100	μ A
h _{FE-1}	DC current gain	I _C =1A ; V _{CE} =5V	2000			
h _{FE-2}	DC current gain	I _C =6A ; V _{CE} =5V	5000		30000	
f _T	Transition frequency	I _C =0.5A ; V _{CE} =10V ; f=1MHz		20		MHz

Switching times

t _{on}	Turn-on time	I _C =6A ; V _{CC} =50V I _{B1} =-I _{B2} =6mA		2.5		μ s
t _s	Storage time			5.0		μ s
t _f	Fall time			2.5		μ s

Silicon NPN Power Transistors

2SD1894

PACKAGE OUTLINE

