

**PLEASE CHECK WWW.MOLEX.COM FOR LATEST PART INFORMATION**

**Part Number:** [0494490203](#)  
**Status:** **Active**  
**Description:** 7.92mm (.312") Pitch Power Connector Housing, 2 Circuits, Polyester UL94V-0, Yellow

**Documents:**

[Packaging Specification \(PDF\)](#)      [Product Specification PS-49449-001 \(PDF\)](#)  
[Drawing \(PDF\)](#)      [RoHS Certificate of Compliance \(PDF\)](#)

**Agency Certification**

CSA      LR19980  
 UL      E29179

**General**

Product Family      Crimp Housings  
 Series      [49449](#)  
 Comments      Applicable Wire Range 16 AWG & 18 AWG  
 Product Name      N/A

**Physical**

Breakaway      No  
 Circuits (maximum)      2  
 Color - Resin      Yellow  
 Gender      Female  
 Glow-Wire Compliant      No  
 Keying to Mating Part      None  
 Lock to Mating Part      Yes  
 Material - Resin      Polyester  
 Number of Rows      1  
 Packaging Type      Bag  
 Panel Mount      Yes  
 Pitch - Mating Interface (in)      0.312 In  
 Pitch - Mating Interface (mm)      7.92 mm  
 Pitch - Term. Interface (in)      0.312 In  
 Pitch - Term. Interface (mm)      7.92 mm  
 Polarized to Mating Part      Yes  
 Ports      1  
 Stackable      No  
 Temperature Range - Operating      -40°C to +105°C

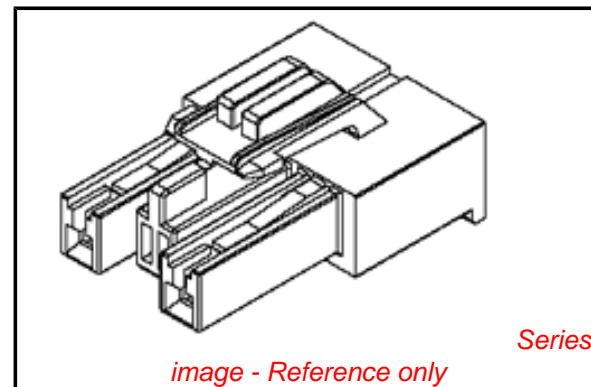
**Electrical**

Current - Maximum per Contact      10A, 7A

**Material Info**

**Reference - Drawing Numbers**

Product Specification      PS-49449-001  
 Sales Drawing      SD-49449-001, SD-49936-001



*image - Reference only*

**EU RoHS**

**ELV and RoHS  
 Compliant**  
**REACH SVHC**  
 Not Reviewed  
**Halogen-Free  
 Status**  
**Not Reviewed**

**China RoHS**



**Need more information on product  
 environmental compliance?**

Email [productcompliance@molex.com](mailto:productcompliance@molex.com)  
 For a multiple part number RoHS Certificate of  
 Compliance, [click here](#)

Please visit the [Contact Us](#) section for any  
 non-product compliance questions.

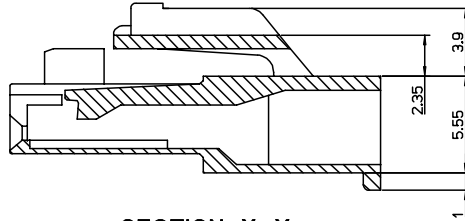
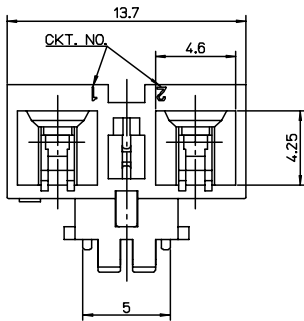
**Search Parts in this Series**

[49449Series](#)

**Mates With**

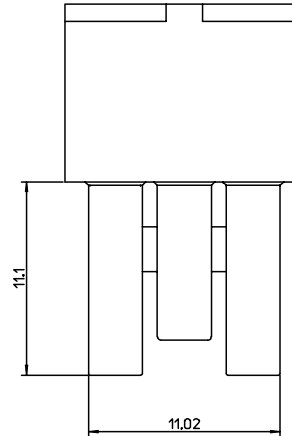
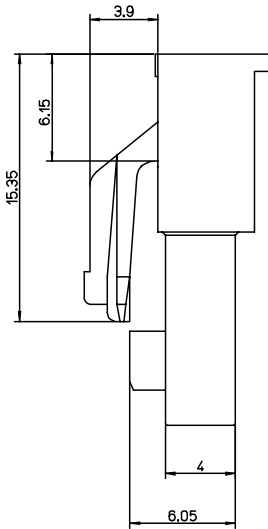
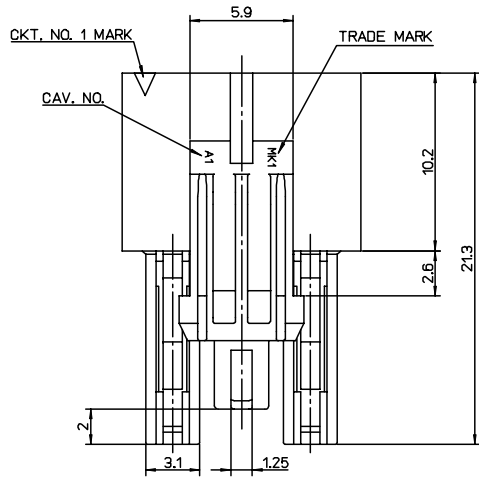
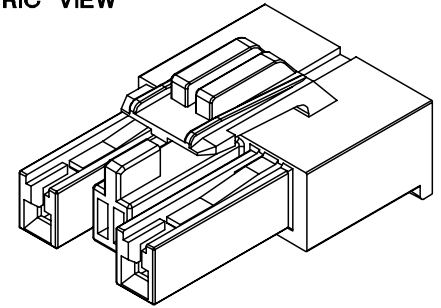
[49450-0210 Housing](#)

**Use With**



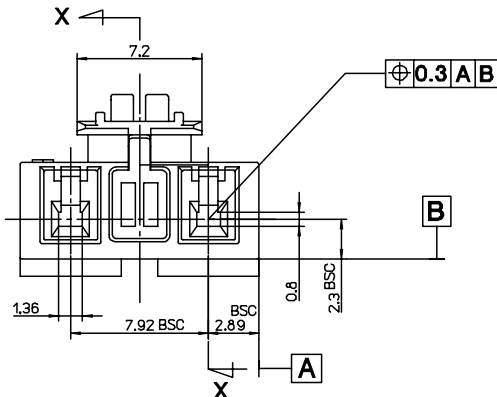
SECTION X-X  
SCALE 1:1

ISOMETRIC VIEW

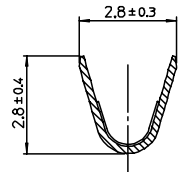
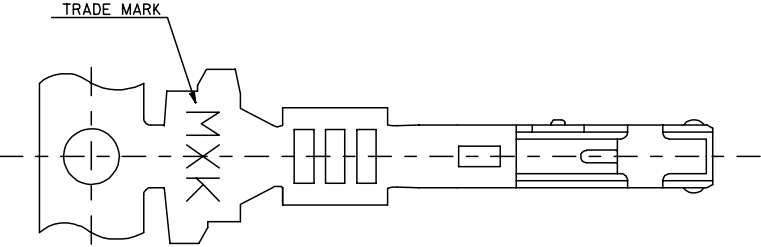
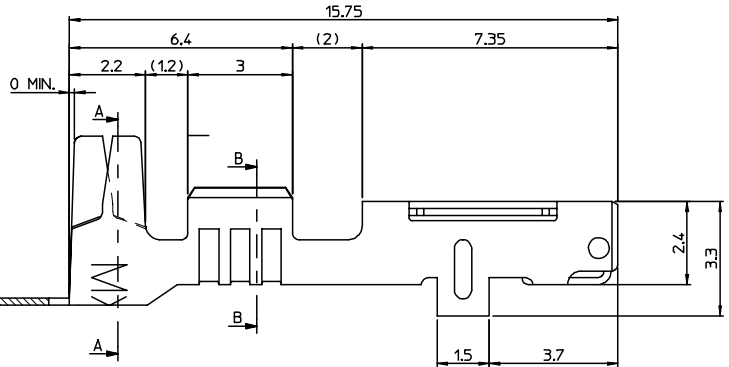
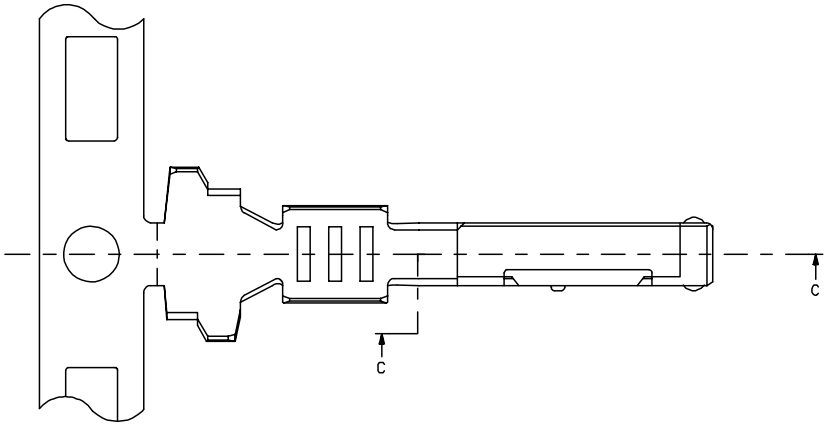
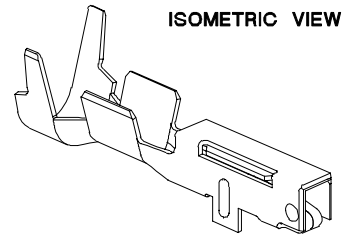


NOTES:

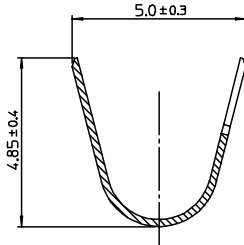
- ①. MATERIAL : PBT, GLASS FILLED, UL 94V-0  
YELLOW COLOR
2. APPLICABLE TERMINAL : 49936-8002
3. APPLICABLE WIRE RANGE : UL3122 AWG #18~#16'  
(0.88~1.37 SQ mm)'
4. MATES WITH : 49450-0210
5. SPECIFICATION : PS-49449-001



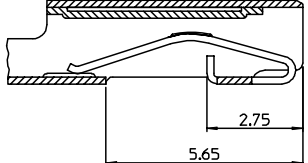
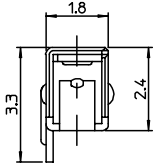
<b>NEW RELEASE</b> EIC NO.: KOR2008-0079 DRW: NHJEONG 2007/11/09 CHKD: YSOOKIM 2007/11/09 APPR: YUNSIKKIM 2007/11/12	QUALITY SYMBOLS ▽=0 ▽=0	GENERAL TOLERANCES (UNLESS SPECIFIED)		DIMENSION STYLE <b>MM ONLY</b>	SCALE <b>5:1</b>	DESIGN UNITS <b>METRIC</b>	THIRD ANGLE PROJECTION	
		4 PLACES ± --- ± ---	mm INCH	DRAWN BY JHLEE05	DATE 2006/08/19	TITLE <b>7.92 POWER CONN. HOUSING (2CKTS)</b>		
		3 PLACES ± --- ± ---	± --- ± ---	CHECKED BY KSKIM	DATE 2006/08/19	MOLEX INCORPORATED		
		2 PLACES ± 0.2 ± ---	± --- ± ---	APPROVED BY YSKIM02	DATE 2006/08/19	MATERIAL NO. <b>494490203</b>	DOCUMENT NO. <b>SD-49449-001</b>	SHEET NO. <b>1 OF 1</b>
1 PLACE ± 0.3 ± ---	± --- ± ---	ANGULAR ± 1 °		THIS DRAWING CONTAINS INFORMATION THAT IS PROPRIETARY TO MOLEX INCORPORATED AND SHOULD NOT BE USED WITHOUT WRITTEN PERMISSION				
DRAFT WHERE APPLICABLE MUST REMAIN WITHIN DIMENSIONS								



SECT. B-B



SECT. A-A



SECT. C-C

NOTE

1. MATERIAL : PHOSPHOR BRONZE, PRE-PLATED
2. FINISH : TIN(Sn) 0.9 MICROMETER MINIMUM
3. APPLICABLE HOUSING : 49440-0203
4. PRODUCT SPECIFICATION : PS-49440-001
5. CRIMPING SPECIFICATION : CS-49936-001

499368002	49936-8002	CHAIN
MATERIAL NO.	ENG. NO.	FORM

ANGLE	3°	WIRE RANGE AWM 1617 # 18-16 MM² ± 2.80-3.11	INSULATION RANGE Ø 2.72 MAX
30 UNDER	± 0.3	WIRE CRIMP WIDTH 1.9	INS. CRIMP WIDTH 3.0
10 OVER 30 UNDER	± 0.25	WBDW	IBDW
10 UNDER	± 0.2	DIE FEED 9.5	APPL FEED 9.5
GENERAL TOLERANCES			

ENTER DESCRIPTION	EC NO. KOR2007-0094	2007/02/22
DRWN: JHLEES	2007/02/23	
CHKD: SKIM	2007/02/26	
APPR: YUNSIKKIM		
REV		
A		

QUALITY SYMBOLS	▽=0
	▽=0

GENERAL TOLERANCES (UNLESS SPECIFIED)	
	mm
4 PLACES	± 0.1
3 PLACES	± 0.15
2 PLACES	± 0.2
1 PLACE	± 0.3
ANGULAR ± 1°	

DIMENSION STYLE	
MM ONLY	
DRAWN BY	DATE
JHLEE05	2006/08/19
CHECKED BY	DATE
KSKIM	2006/08/19
APPROVED BY	DATE
YSKIM02	2006/08/19
MATERIAL NO.	DOCUMENT NO.

SCALE	DESIGN UNITS	THIRD ANGLE PROJECTION
10:1	METRIC	☑

7.92 POWER CONN. CRIMPING TERMINAL

**MOLEX INCORPORATED**

DRAFT WHERE APPLICABLE MUST REMAIN WITHIN DIMENSIONS

ENTER PART SD-49936-001

THIS DRAWING CONTAINS INFORMATION THAT IS PROPRIETARY TO MOLEX INCORPORATED AND SHOULD NOT BE USED WITHOUT WRITTEN PERMISSION