

PLEASE CHECK WWW.MOLEX.COM FOR LATEST PART INFORMATION

Part Number: [0494481611](#)
Status: **Active**
Description: 1.10mm (.043")/1.27mm (.050") Pitch microSD/SIM Card Combo Connector, 8-Pin microSD, Reverse Mount with Detect Switch, and 8-Pin SIM, Normal Mount

Documents:

[3D Model](#) [Product Specification PS-49448-001 \(PDF\)](#)
[Drawing \(PDF\)](#) [RoHS Certificate of Compliance \(PDF\)](#)

General

Product Family	Memory Card Sockets
Series	49448
Button Type	Push-Pull, Push-Push
Comments	microSD Card 8 Circuits, SIM Card 8 Circuits, Switch Circuits 2
Component Type	Card Holder (Host)
Product Name	Combo, microSD Card, SIM
Type	N/A

Physical

Card Detection Switch	Open
Circuits (Loaded)	18
Circuits (maximum)	18
Durability (mating cycles max)	10,000
Ejector Button Side	No Ejector Button Present
Entry Angle	Horizontal
Keying to Mating Part	Yes
Material - Metal	Copper, Phosphor Bronze, Stainless Steel
Material - Plating Mating	Gold
Material - Plating Termination	Gold
PC Tail Length (in)	0.039 In, 0.043 In
PC Tail Length (mm)	1.00 mm, 1.10 mm
PCB Locator	No
PCB Mounting Side	Normal
PCB Retention	None
Packaging Type	Embossed Tape on Reel
Pitch - Mating Interface (in)	0.043 In, 0.050 In
Pitch - Mating Interface (mm)	1.10 mm, 1.27 mm
Ports	2
Temperature Range - Operating	-25°C to +85°C

Electrical

Current - Maximum per Contact	0.5A
Shielded	Yes
Voltage - Maximum	5V

Material Info

Reference - Drawing Numbers

Packaging Specification	PK-49448-001
Product Specification	PS-49448-001, RPS-49448-001
Sales Drawing	SD-49448-001

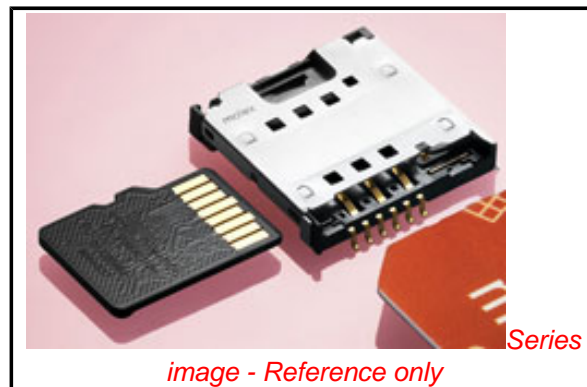


image - Reference only

EU RoHS

ELV and RoHS Compliant
REACH SVHC
 Not Reviewed
Halogen-Free Status

China RoHS



Not Reviewed

Need more information on product environmental compliance?

Email productcompliance@molex.com
 For a multiple part number RoHS Certificate of Compliance, [click here](#)

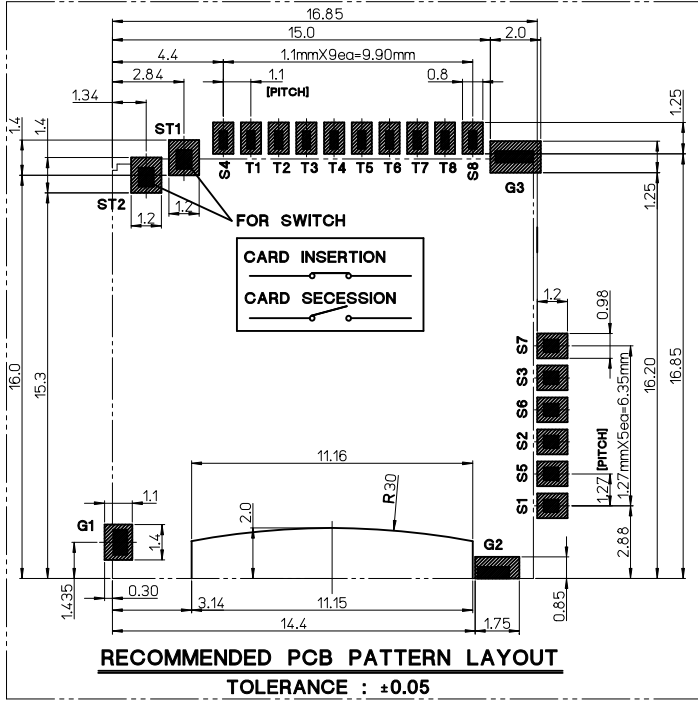
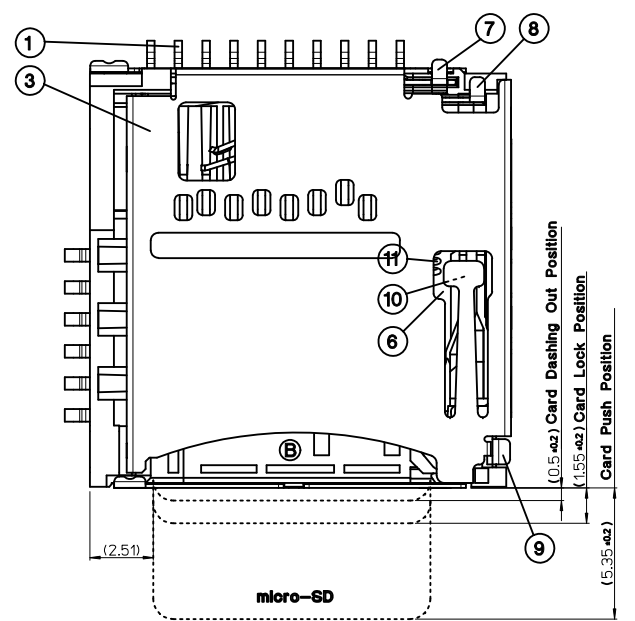
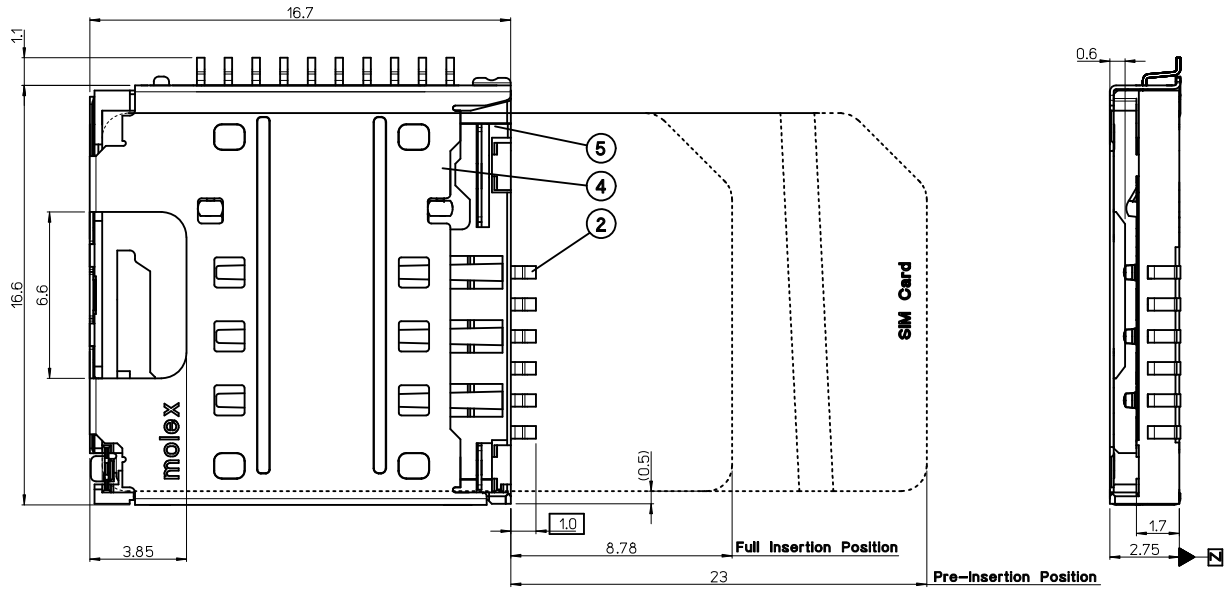
Please visit the [Contact Us](#) section for any non-product compliance questions.

Search Parts in this Series

[49448Series](#)

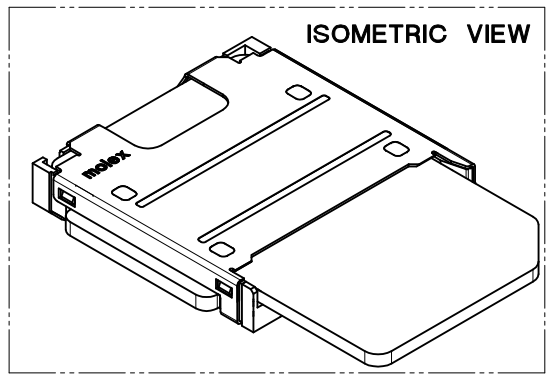
Mates With

microSD Card, SIM Card



NOTES

1. MATERIALS: SEE TABLE 2
2. FINISHES: SEE TABLE 2
3. PRODUCT SPECIFICATION : PS-49448-001
4. COPLANARITY OF SOLDER TAILS : 0.1mm MAX.
MISALIGNMENT OF SOLDER TAIL FROM "Z"
UPPER DIRECTION 0.05 MAX., LOWER DIRECTION 0.1MAX.
5. PACKAGING SPECIFICATION : PK-49448-001



* TABLE 1

494481611		49448-1611										
MATERIAL NO.		ORDER NO.										
REVISED EC NO: KOR2010-0043 DRWN: SUNGHYUK.00 2009/12/24 CHKD: YSOOKIM APPR: YUNSIKKIM	DESCRIPTION	QUALITY SYMBOLS		GENERAL TOLERANCES (UNLESS SPECIFIED)		DIMENSION STYLE		SCALE	DESIGN UNITS	THIRD ANGLE PROJECTION		
		▽=0		mm INCH		MM ONLY		5:1	METRIC	□		
		◻=0		4 PLACES ± --- ± ---	3 PLACES ± --- ± ---	DRAWN BY	DATE	TITLE		M-SD/SIM COMBO SOCKET FOR 8P/8P		
				2 PLACES ± 0.1 ± ---	1 PLACE ± 0.15 ± ---	S. H. CHU	2008/10/20					
				ANGULAR ± 1 °		CHECKED BY	DATE			MOLEX INCORPORATED		
				S. J. SEH	2008/10/20							
				APPROVED BY	DATE			DOCUMENT NO.				
				E. H. JUNG	2008/10/20							
				MATERIAL NO.		SEE TABLE		SD-49448-001				
				DRAFT WHERE APPLICABLE MUST REMAIN WITHIN DIMENSIONS		SIZE		SHEET NO.				
						A3						
				THIS DRAWING CONTAINS INFORMATION THAT IS PROPRIETARY TO MOLEX INCORPORATED AND SHOULD NOT BE USED WITHOUT WRITTEN PERMISSION								

* TABLE 1 : PARTS-LIST

NO.	DESCRIPTION	ENGINEERING NO.	MATERIALS	FINISHES
1	mSD-CONTACT TERMINAL	49932-8031	PHOS.-BRONZE	Selective-Au over Ni
2	S-CONTACT TERMINAL	49814-8031	BECU-7ALLOY	Selective-Au over Ni
3	mSD-METAL SHELL	49933-5003	STAINLESS STEEL	Ni OVERALL
4	S-METAL SHELL	49934-5003	STAINLESS STEEL	Ni OVERALL
5	HOUSING	49448-1691	LIQUID CRYSTAL POLYMER	UL94V-0
6	HEART CAM	49363-0001	LIQUID CRYSTAL POLYMER	UL94V-0
7	SWITCH TERMINAL 1	49820-8031	PHOS.-BRONZE	Selective-Au over Ni
8	SWITCH TERMINAL 2	49821-8031	PHOS.-BRONZE	Selective-Au over Ni
9	FITTING NAIL	49819-8003	PHOS.-BRONZE	PURE-Sn over Ni
10	PIN ROD	49225-9002	STAINLESS STEEL	
11	SPRING	49362-9001	STAINLESS STEEL	

* TABLE 2 : REFERENCE

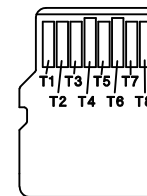
[SIM CARD-8P PIN-MAP]

PIN NUMBER	DESCRIPTION
S1	Vcc(Voltage)
S2	Vcc(Reset)
S3	CLK
S4	Reserved
S5	GND
S6	Vpp
S7	I/O
S8	Reserved

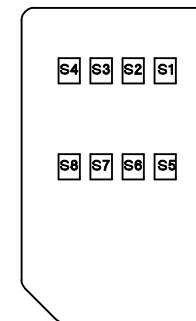
[microSD CARD PIN-MAP]

PIN NUMBER	DESCRIPTION
T1	DAT2
T2	CD/DAT3 ²
T3	CMD
T4	VDD
T5	CLK
T6	VSS ²
T7	DAT0
T8	DAT1

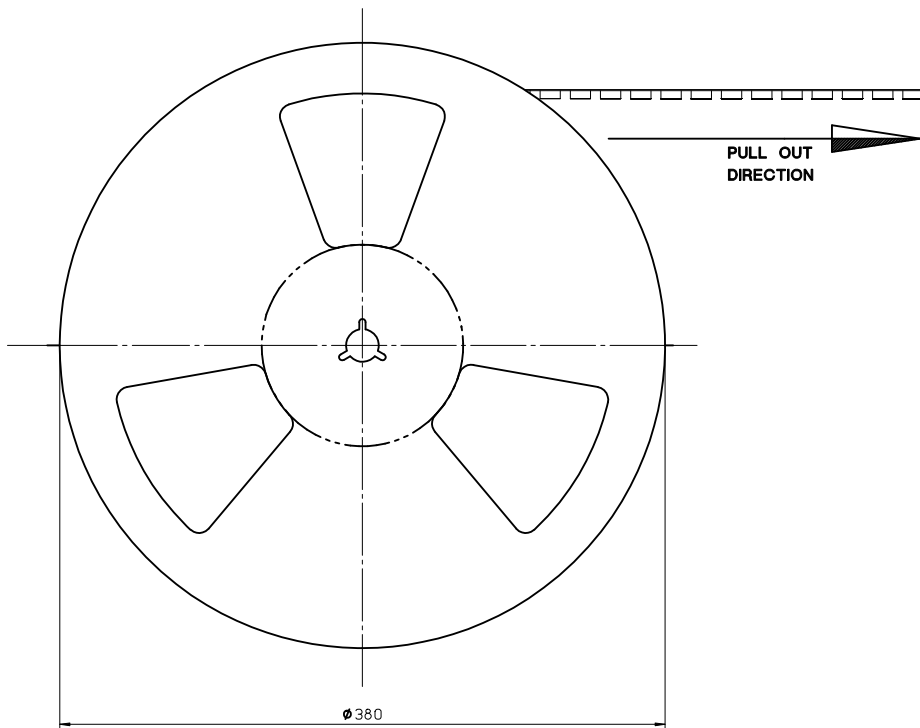
microSD CARD



SIM CARD-8P

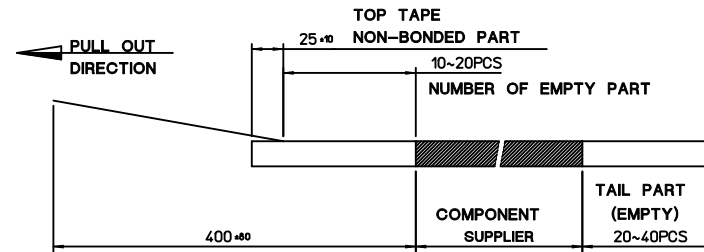


REVISED EC NO: KOR2010-0043 DRWN: SUNGHYUK.00 2009/12/24 CHKD: YSOOKIM APPR: YUNSIKKIM	QUALITY SYMBOLS	GENERAL TOLERANCES (UNLESS SPECIFIED)	DIMENSION STYLE	SCALE	DESIGN UNITS	THIRD ANGLE PROJECTION
	▽=0 □=0	mm INCH 4 PLACES ± --- ± --- 3 PLACES ± --- ± --- 2 PLACES ± 0.1 ± --- 1 PLACE ± 0.15 ± --- ANGULAR ± 1°	MM ONLY	5:1	METRIC	
	REV	DRAFT WHERE APPLICABLE MUST REMAIN WITHIN DIMENSIONS	DRAWN BY DATE S. H. CHU 2008/10/20 CHECKED BY DATE S. J. SEH 2008/10/20 APPROVED BY DATE E. H. JUNG 2008/10/20 MATERIAL NO.	TITLE	M-SD/SIM COMBO SOCKET FOR 8P/8P	
	B	SEE TABLE	E. H. JUNG 2008/10/20 MATERIAL NO.	MOLEX INCORPORATED DOCUMENT NO. SD-49448-001		SHEET NO. 2 OF 3

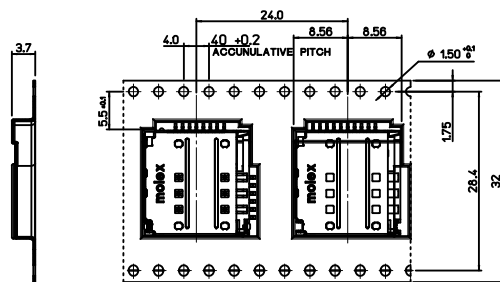
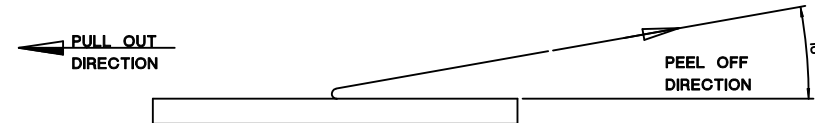


NOTES

- 1. QUANTITY OF CONNECTORS : 1,000PCS/REEL
- 2. LEAD LENGTH



- 3. PEELING OFF FORCE OF COVER TAPE : 0.1N~0.59N(10.2GF~60GF)
(PEELING DIRECTION AS SHOW IN FOLLOW FIG.)
- PEELING OFF SPEED : 300mm/MIn.(Ref.)



35902-0011	35908-1003	49362-9901	49448-1611	494481611	49448-1611	8P/8P
COVER TAPE	REEL	EMBOSSSED TAPE	CONNECTOR	MATERIAL NO.	ENG. NO.	CKTS

REVISED EC NO: KOR2010-0043 DRWN:YSOOKIM 2009/12/24 CHKD:YSOOKIM APPR:YUNSIKKIM	DESCRIPTION REV	QUALITY SYMBOLS	GENERAL TOLERANCES (UNLESS SPECIFIED)	DIMENSION STYLE	SCALE	DESIGN UNITS	THIRD ANGLE PROJECTION		
		▽=0 ◻=0	mm INCH 4 PLACES ± --- ± --- 3 PLACES ± --- ± --- 2 PLACES ± 0.1 ± --- 1 PLACE ± 0.15 ± --- ANGULAR ± 1 °	MM ONLY	5:1	METRIC	DRAWN BY: S.H.CHU DATE: 2008/10/20 CHECKED BY: DATE: S. J. SEH 2008/10/20 APPROVED BY: DATE: E.H. JUNG 2008/10/20		
		DRAFT WHERE APPLICABLE MUST REMAIN WITHIN DIMENSIONS		SEE TABLE	M-SD/SIM COMBO SOCKET FOR 8P/8P		MOLEX INCORPORATED		SHEET NO. 3 OF 3
				SIZE A3	THIS DRAWING CONTAINS INFORMATION THAT IS PROPRIETARY TO MOLEX INCORPORATED AND SHOULD NOT BE USED WITHOUT WRITTEN PERMISSION		DOCUMENT NO. SD-49448-001		