

PLEASE CHECK WWW.MOLEX.COM FOR LATEST PART INFORMATION

Part Number: [0015040219](#)
Status: **Active**
Overview: [kk](#)
Description: 156 KK® Polarizing Key

Documents:

[Drawing \(PDF\)](#) [RoHS Certificate of Compliance \(PDF\)](#)

General

| | |
|----------------|----------------------|
| Product Family | Accessories |
| Series | 2560 |
| Component Type | Polarizing Key |
| Overview | kk |
| Product Name | KK® |

Physical

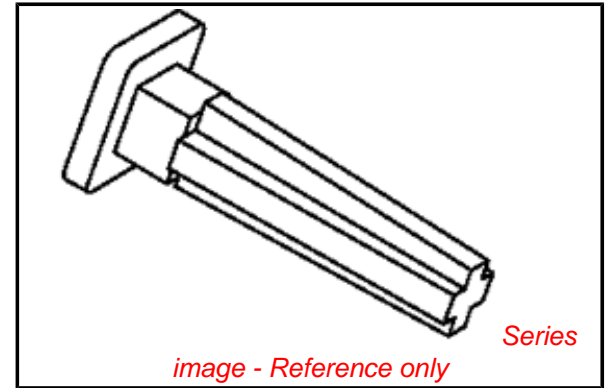
| | |
|---------------------|---------|
| Circuits (Loaded) | 1 |
| Color - Resin | Natural |
| Lock to Mating Part | No |
| Material - Resin | Nylon |
| Packaging Type | Bag |

Material Info

| | |
|-----------------|--------|
| Old Part Number | 2560-1 |
|-----------------|--------|

Reference - Drawing Numbers

| | |
|---------------|---------|
| Sales Drawing | SD-2560 |
|---------------|---------|



EU RoHS

**ELV and RoHS
Compliant**
**REACH SVHC
Contains SVHC: No**
**Halogen-Free
Status**

China RoHS



**Need more information on product
environmental compliance?**

Email productcompliance@molex.com
 For a multiple part number RoHS Certificate of
 Compliance, [click here](#)

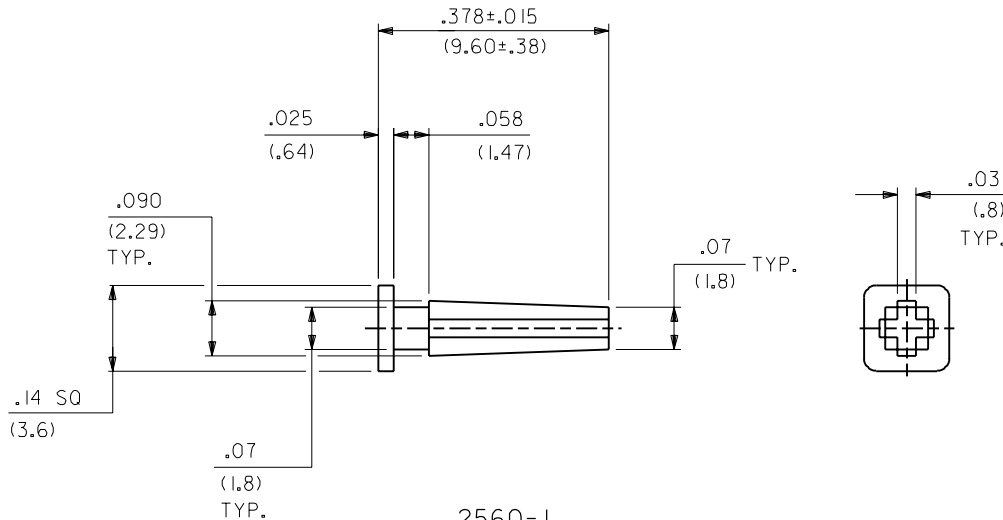
Please visit the [Contact Us](#) section for any
 non-product compliance questions.

Search Parts in this Series

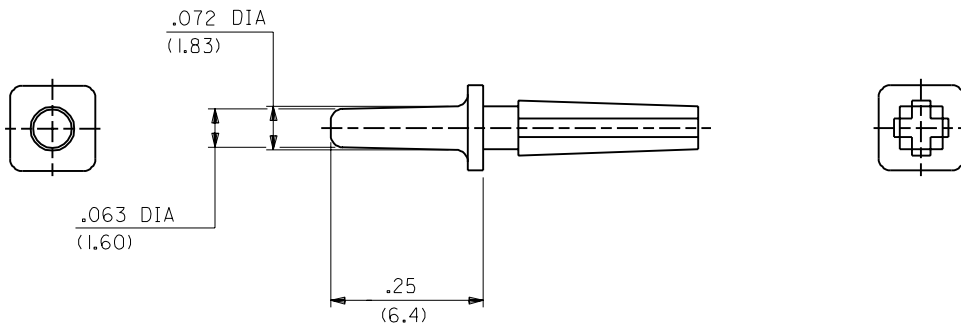
[2560Series](#)

Use With

[2139](#) KK® Crimp Terminal. [2145](#) KK® PC
 Board Connector



2560-1
15-04-0219



2560-2
15-04-0220

NOTES:

1. DIMENSIONS GIVEN ACROSS CENTERLINES ARE SYMMETRICAL ABOUT THOSE CENTERLINES WITHIN HALF THE TOTAL TOLERANCE
2. MATERIAL: NYLON ZYTEL IOI-NC-IO

D ADD TO CAD
ECR 10300
7-30-87 SAMIEC

| | | | | |
|------|-----|------|------|-----------|
| MFG. | SH. | REV. | LTR. | REVISIONS |
|------|-----|------|------|-----------|

DIMENSIONS SHOWN (METRIC) INCH

REVISION SYMBOLS: ∇ = \blacktriangledown = REVISE ONLY ON CAD SYSTEM

UNLESS OTHERWISE SPECIFIED TOLERANCES: ANGULAR ± 1/2°

TITLE
POLARIZING KEYS
WITH AND WITHOUT BOSS
2560 SERIES DWG

| | INCH | METRIC |
|---------|--------|--------|
| 3 PLACE | ± .005 | --- |
| 2 PLACE | ± .010 | ± 0.13 |
| 1 PLACE | --- | ± 0.25 |

MOLEX MOLEX INCORPORATED SHEET NO. DATE
LISLE, ILL. 60532 U.S.A. 1 OF 1 07/30/87

DRAFT WHERE APPLICABLE MUST REMAIN WITHIN DIMENSIONS

PART NO. SD-2560 DRWG. NO.

DRWG. BY: SAMIEC CHK'D. BY: PATEL
APP'D. LENZ SCALE:

FILE NAME: S2560X1 THIS DRAWING CONTAINS INFORMATION THAT IS PROPRIETARY TO MOLEX INC. AND SHOULD NOT BE USED WITHOUT WRITTEN PERMISSION. DIV. KK SIZE B