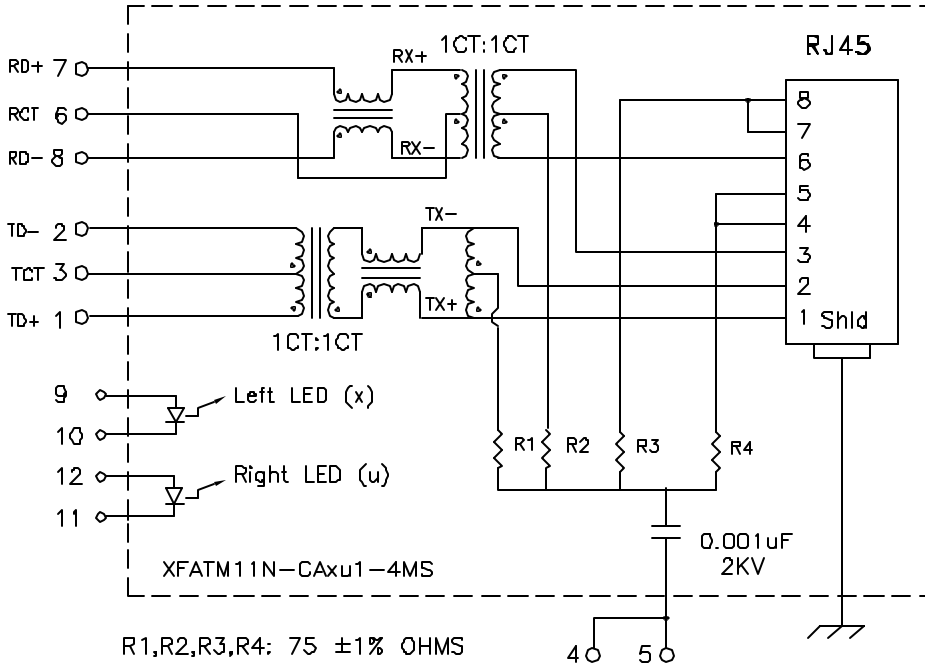


## Schematic:



## Electrical Specifications: @25°C

UTP Impedance: 100 OHMS  
 Turns Ratio: TX : 1CT:1CT ( $\pm 3\%$ ) RX : 1CT:1CT ( $\pm 3\%$ )  
 Isolation Voltage: 1500 VAC (Input to Output)  
 UTP Side OCL: 350uH Minimum @100KHz, 100mV 8mADC  
 Insertion Loss (0.3MHz-100MHz): -1.0dB Maximum  
 Return Loss: 1MHz-30MHz 40MHz 50MHz 60MHz-80MHz  
                   -18dB Typ -16dB Typ -14dB Typ -12dB Typ  
 CMRR: 30MHz 60MHz 100MHz  
           -35dB Min -30dB Min -25dB Min  
 Crosstalk: 30MHz 60MHz 100MHz  
               -50dB Min -40dB Min -35dB Min

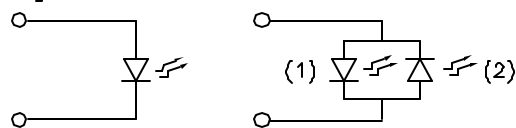
Complete the Combo P/N as follows:

Replace 'x' & 'u' in the part number with one of the LED color letters:

Y=Yellow  
 G=Green  
 A=Amber  
 R=Red  
 C=Green(1)/Amber(2) Bicolor  
 D=Amber(1)/Green(2) Bicolor  
 M=Green(1)/Yellow(2) Bicolor  
 N=Yellow(1)/Green(2) Bicolor  
 P=Red(1)/Green(2) Bicolor  
 Q=Green(1)/Red(2) Bicolor

Single Color LED:

Bi-Color LED:



## Notes:

1. Solderability: Leads shall meet MIL-STD-202, Method 208D for solderability.
2. Flammability: UL94V-0
3. ASTM oxygen index: > 28%
4. Insulation System: Class F 155°C. UL file E151556
5. Operating Temperature Range: All listed parameters are to be within tolerance from -40°C to +85°C
6. Storage Temperature Range: -55°C to +125°C
7. Aqueous wash compatible
8. SMD Lead Coplanarity:  $\pm 0.004"$  (0.102mm)
9. Moisture Sensitivity: Level 3
10. Electrical and mechanical specifications 100% tested
11. RoHS Compliant Component

DOC. REV: A/10

**XFMRs Inc.**  
www.XFMRs.com

Title: **SINGLE PORT COMBO**

UNLESS OTHERWISE SPECIFIED  
TOLERANCES:  
.xxx  $\pm 0.010$   
Dimensions in Inch

P/N: XFATM11N-CAxu1-4MS

REV. A

DWN.

Kang Chen

Jan-09-06

CHK.

YK Liao

Jan-09-06

SHEET 1 OF 2

APP.

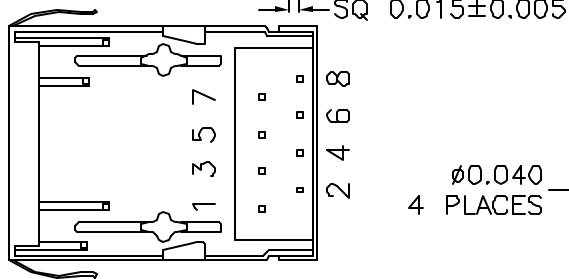
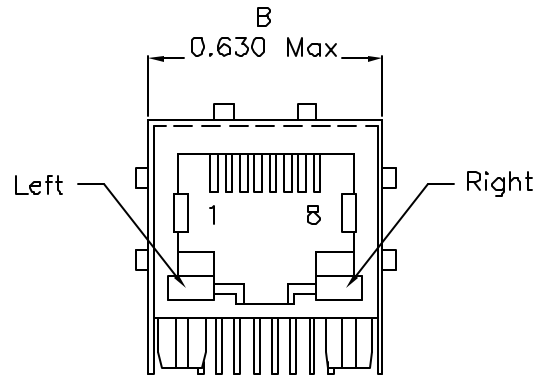
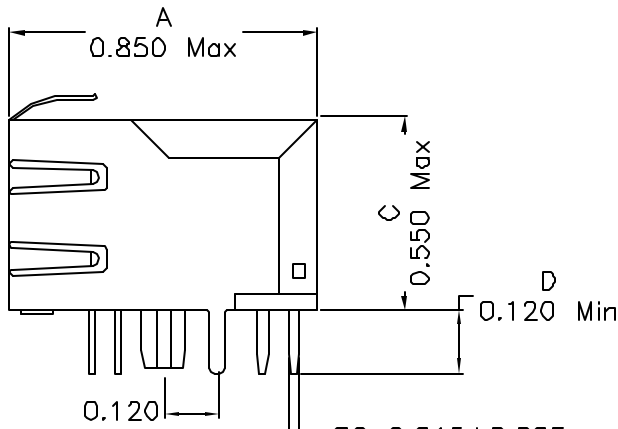
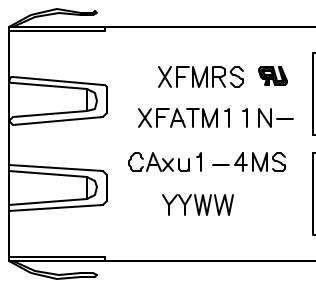
MS

Jan-09-06

**PROPRIETARY:**

Document is the property of XFMRs Group & is not allowed to be duplicated without authorization.

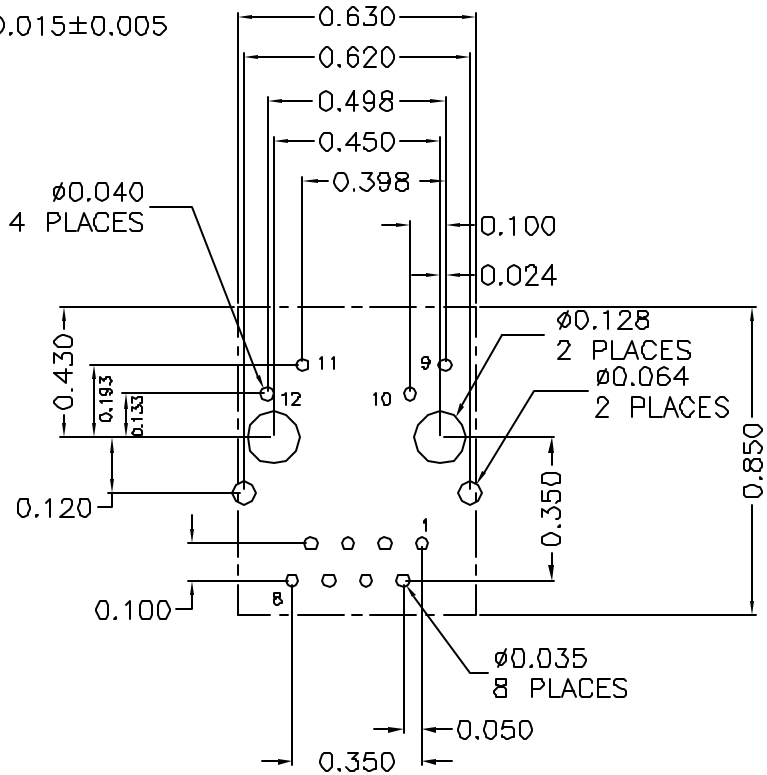
# Mechanical Dimensions:



(BOTTOM VIEW)

## Mounting Pattern:

(COMP SIDE)



DOC. REV: A/10

<b>XFMR5 Inc.</b> www.XFMR5.com	Title: Mechanical Dimensions For CAxu1-4MS Series		
	P/N: XFATM11N-CAxu1-4MS	REV. A	DWN. Juan Mao
UNLESS OTHERWISE SPECIFIED TOLERANCES: .xxx ±0.010 Dimensions in Inch	CHK. YK Liao	APP. MS	Jan-09-06 Jan-09-06 Jan-09-06
SHEET 2 OF 2	REV. A		

**PROPRIETARY:**

Document is the property of XFMR5 Group & is not allowed to be duplicated without authorization.