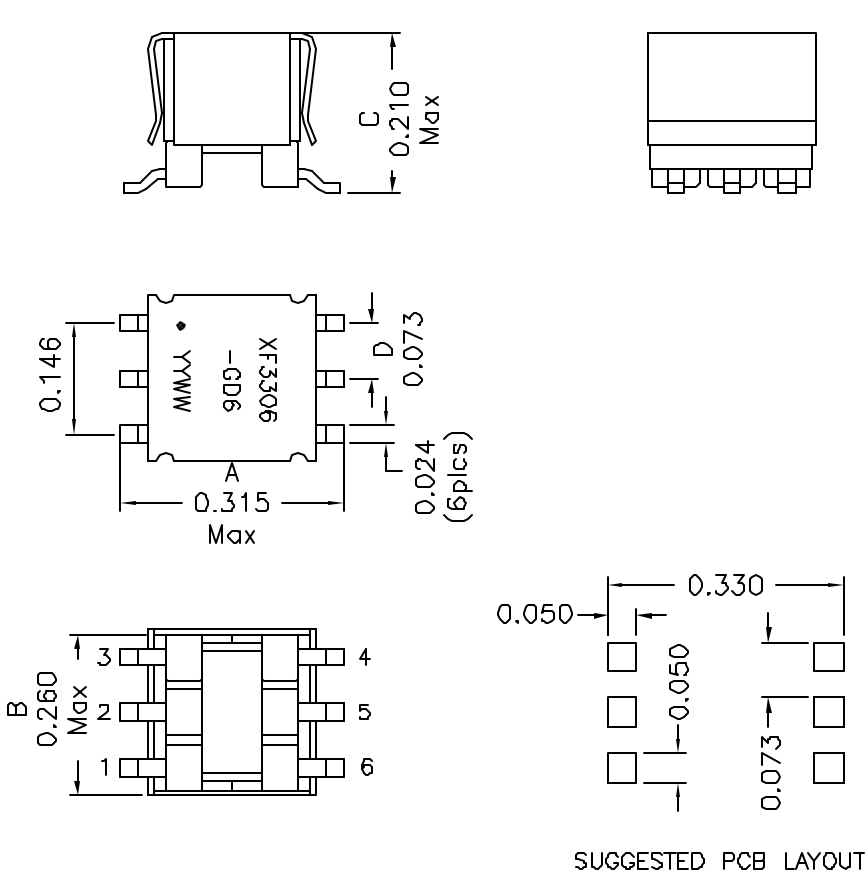


### 1. Mechanical Dimensions:

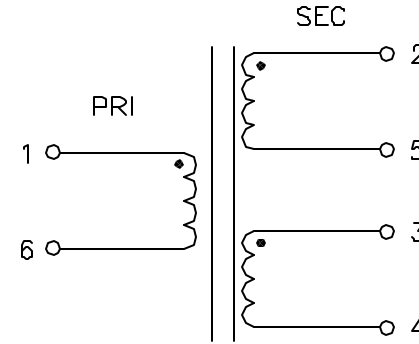


**Notes:**

1. Solderability: Leads shall meet MIL-STD-202G, Method 208H for solderability.
2. Flammability: UL94V-0
3. ASTM oxygen Index: > 28%
4. Insulation System: Class F 155°C. UL file E151556
5. Operating Temperature Range: All listed parameters are to be within tolerance from -40°C to +85°C
6. Storage Temperature Range: -55°C to +125°C
7. Aqueous wash compatible
8. SMD Lead Coplanarity: ±0.004\*(0.102mm)
9. Electrical and mechanical specifications 100% tested
10. RoHS Compliant Component

DOC. REV A/11

### 2. Schematic:



### 3. Electrical Specifications:

PRI OCL 330uH Min @100KHz, 1.0V  
 Q: P1-6 6 Min @100KHz, 0.1V  
 PRI LL: 2.0uH Max @100KHz 0.1V (Sec Shorted)  
 DC Res: 2.00 Ohms Max (Each Wdg)  
 HIPOT: 1500Vdc Pri to Sec  
           500Vdc P2 to P3  
 Turns Ratio: Pins (1-6):(2-5):(3-4)=1:1:1  
 Bpk: 2900 Gauss

**PROPRIETARY** Document is the property of XFMRs Group & is not allowed to be duplicated without authorization.

<b>XFMRs Inc</b> www.XFMRs.com		Title: DC/DC SURFACE MOUNT GATE DRIVE TRANSFORMER	
UNLESS OTHERWISE SPECIFIED TOLERANCES: .xxx ±0.010 Dimensions in inch Scale 1.5:1 SHT 1 OF 1	P/N: XF3306-GD6		REV. A
	DWN.	Xianyi	Jul-16-08
	CHK.	YK Liao	Jul-16-08
APP.	Joe Huff	Jul-16-08	