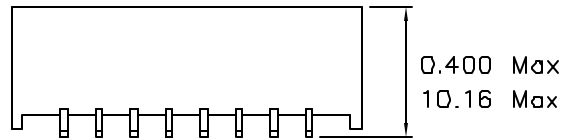
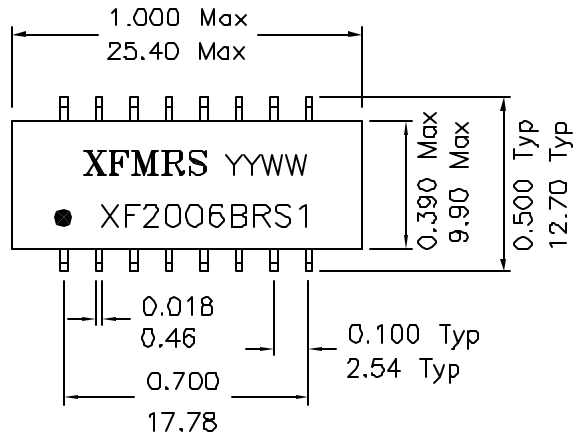
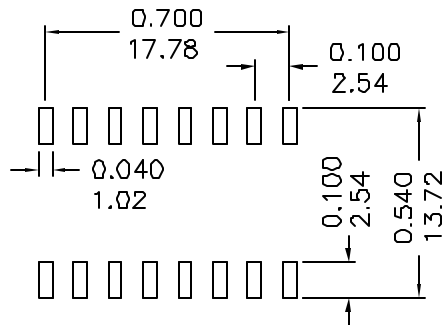


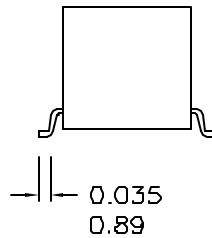
### 1. Dimensions:



CO-PLANARITY  $\pm$  0.004 Max  
0.10 Max



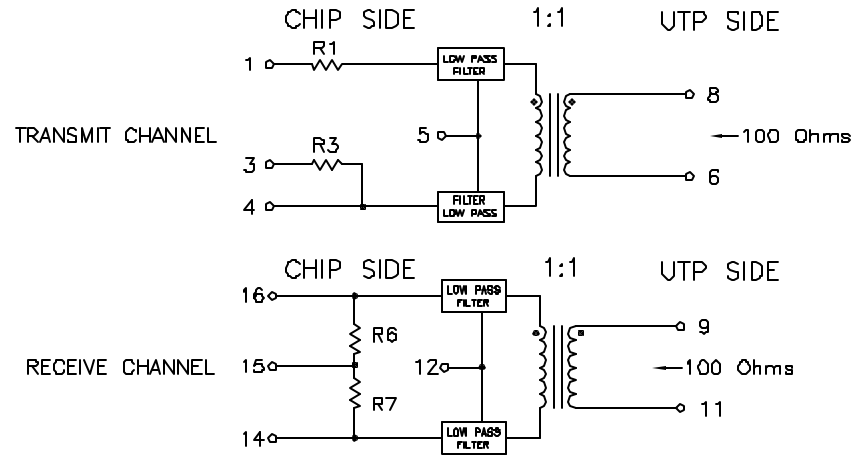
SUGGESTED FOOTPRINT



**Notes:**

- Solderability: Leads shall meet MIL-STD-202, Method 208D for solderability.
- Flammability: UL94V-0
- ASTM oxygen index: > 28%
- Insulation System: Class F 155°C. UL file E151556
- Operating Temperature Range: All listed parameters are to be within tolerance from -40°C to +85°C
- Storage Temperature Range: -55°C to +125°C
- Aqueous wash compatible

### 2. Schematic:



R1,R3: 39.0 Ohms R6,R7: 49.9 Ohms

### 3. Electrical Specifications: @25°C

- HIPOT: 1500VAC Min
- Insertion Loss (1MHz-10MHz): -5.0dB Maximum
- Return Loss (5MHz-10MHz): -18dB Min. 100 Ohms  
-15dB Min. 98±13 Ohms
- Attenuation (TX): -30dB Min @30 MHz  
-35dB Min @40MHz, -40dB Min @100MHz
- Crosstalk: -25dB Min @5-10MHz
- Common mode rejection (TX):  
5MHz, 10MHz, 50MHz, 100MHz  
-35 -30 -55 -50dB Min

<b>XFMRS Inc</b>	Title: 10BASE-T FILTER	
	UNLESS OTHERWISE SPECIFIED TOLERANCES: .xxx ±0.010 Inch Dimensions in Inch/mm	P/N: XF2006BRS1 REV. A
SCALE 2:1 SHT 1 OF 1	DWN. 廖玉坤 CHK. 李清儿 APP. J Ng	May-19-04 May-19-04 May-19-04