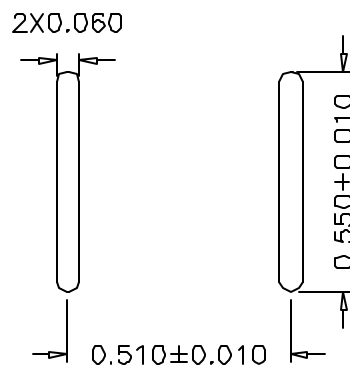
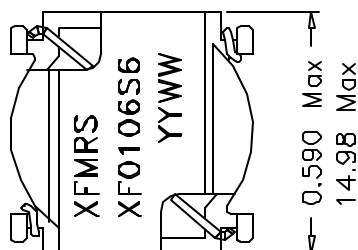
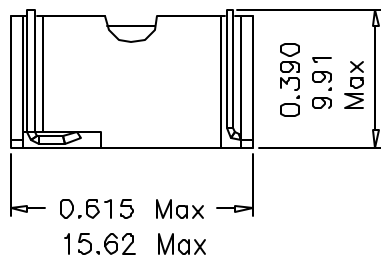
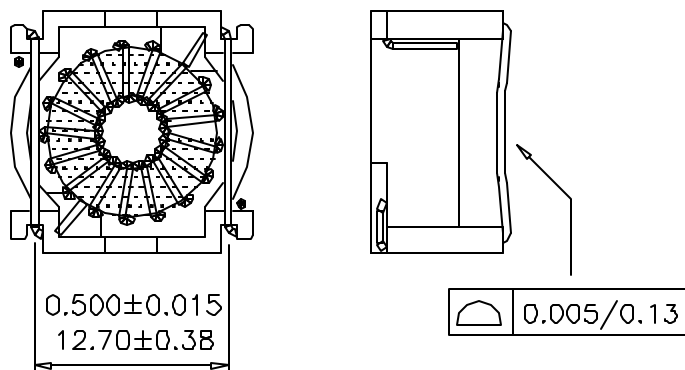


### 1. Mechanical Dimensions:



Suggested PCB Layout

DOC. REV: A/1

### 2. Schematic:



### 3. Electrical Specifications: @25°C

OCL:  $10\mu\text{H} \pm 20\%$  @10KHz, 0.1V NO DC

DCR: 0.050 Ohms Max

IDC: 4.3Adc Typ (Based on 10% drop in OCL)

ETop: 10.0 V-uSec Max @260KHz

Q: tbd Min @10KHz, 0.1V No DC

Notes:

1. Solderability: Leads shall meet MIL-STD-202, Method 208D for solderability.
2. Flammability: UL94V-0
3. ASTM oxygen index: > 28%
4. Insulation System: Class F 155°C. UL file E151556
5. Operating Temperature Range: All listed parameters are to be within tolerance from -40°C to +85°C
6. Storage Temperature Range: -55°C to +125°C
7. Aqueous wash compatible
8. SMD Lead Coplanarity:  $\pm 0.004^*$  (0.102mm)
9. Moisture Sensitivity: Level 2

<b>XFMRs INC</b>	Title: Surface Mount Inductor		
	UNLESS OTHERWISE SPECIFIED TOLERANCES: .xxx $\pm 0.010$ Dimensions in Inch/mm	P/N: XF0106S6	REV. A
	DWN.	李清儿	Aug-13-04
	CHK.	孙小悦	Aug-13-04
SHEET 1 OF 1	APP.	J Ng	Aug-13-04