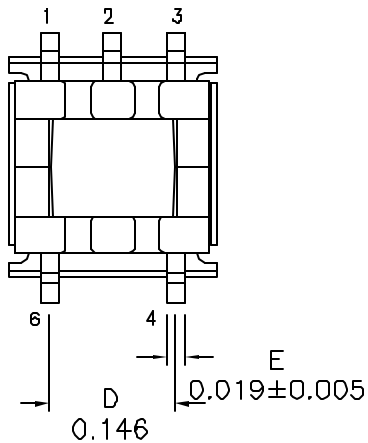
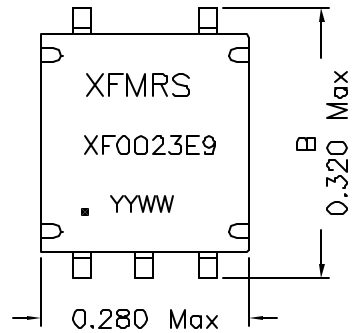
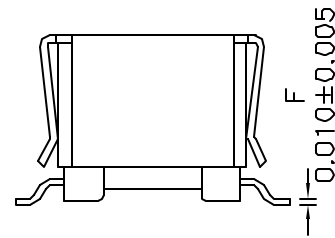
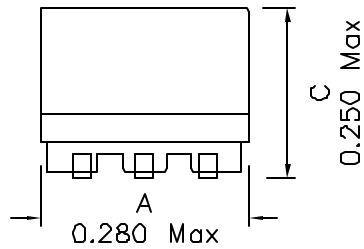
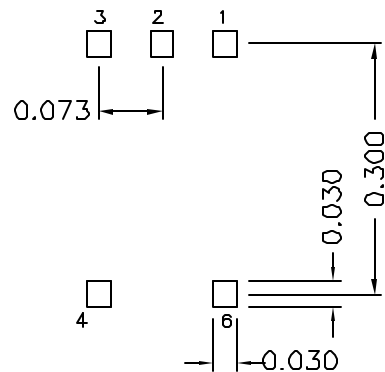


Dimensions:

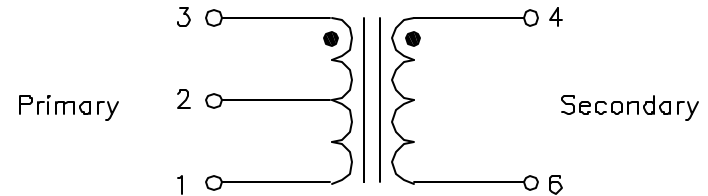


BOTTOM VIEW



SUGGESTED PCB LAYOUT

Schematic:



Electrical Specifications:

- OCL: Pins 3-1 2.3mH Min 10KHz, 0.1V
- Leakage L: Pins 3-1 3.7uH Max 100KHz, 0.1V
Short 4-6
- Cw/w: Pins 3-4 50pF Max 100KHz, 0.1V
- DC Res.: Pins 3-1 2.07 Ohms Max
Pins 4-6 0.85 Ohms Max
- Turns Ratio: Pins (3-1):(4-6) = 2.42:1 ± 3%
- Long. Bal.: 35dB Min @ 1.544MHz
- Return Loss: 15db Typ @ 50K-3.1MHz
- Isolation: 1500Vac

Notes:

1. Solderability: Leads shall meet MIL-STD-202G, Method 208B for solderability.
2. Flammability: UL94V-0
3. ASTM oxygen index > 28%
4. Insulation System: Class F 155°C. UL file E15155B
5. Operating Temperature Range: All listed parameters are to be within tolerance from -40°C to +85°C
6. Storage Temperature Range: -55°C to +125°C
7. Aqueous wash compatible
8. SMD Lead Coplanarity: ±0.004" (0.102mm)
9. Electrical and mechanical specifications 100% tested
10. RoHS Compliant Component

XFMRS Inc www.XFMRS.com		Title: T1/E1/ISDN-Pri xfmr	
UNLESS OTHERWISE SPECIFIED TOLERANCES: .xx ±0.010 Dimensions in Inches		P/N: XF0023E9	REV A
		DWN. 李小锋	Dec-04-07
Scale 2.5:1 SHT 1 OF 1		CHK. 廖玉坤	Dec-04-07
		APP. MS	Dec-04-07

DOC. REV: A/B