

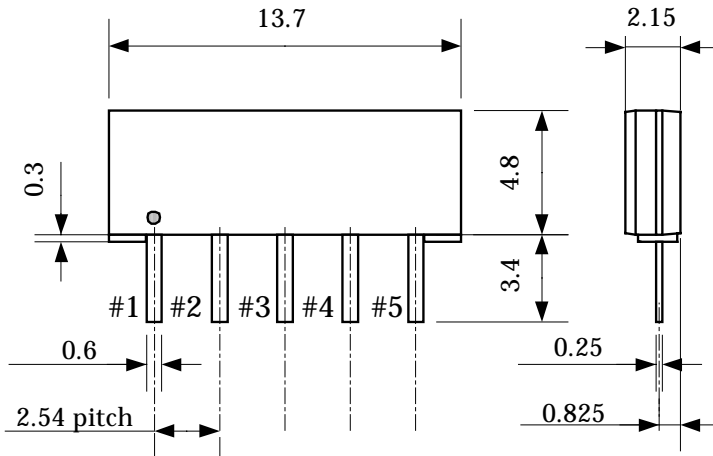
Customer Name	Standard specification	FUJITSU MEDIA DEVICES LIMITED	
Application	IF Filter for Terrestrial-TV		
System	America		
Picture Carrier Frequency	44.00 MHz	DATE	June 21, 2005
FMD Part Number	FAR-F4SE-44M000-H0A2	Version	1.1

Table 1 Proposal Specification (Ta=25°C(45°C))

Items	Conditions	Specification			Unit	Remarks
		Min.	Typ.	Max.		
Insertion Loss	44.06 (44.00) MHz	13.6	15.1	16.6	dB	
Relative level	35.06 ~ 39.81 MHz (35.00 ~ 39.75 MHz)	–	- 44	- 37	dB	
	39.81 (39.75) MHz	–	- 53	- 42	dB	
	41.37 (41.31) MHz	-0.6	-0.1	0.4	dB	
	41.66 (41.60) MHz	-0.5	0	0.5	dB	
	44.06 (44.00) MHz	–	0	–	dB	Reference
	46.46 (46.40) MHz	-0.6	- 0.1	0.4	dB	
	46.75 (46.69) MHz	-1.1	- 0.6	-0.1	dB	
	47.31 (47.25) MHz	–	- 8	-5	dB	
	48.23 (48.17) MHz	–	- 42	- 34	dB	
	48.50 ~ 55.06 MHz (48.44 ~ 55.06 MHz)	–	- 42	- 35	dB	
Amplitude ripple (p-p)	41.66 ~ 46.46 MHz (41.60 ~ 46.40 MHz)	–	0.4	0.7	dB	
Group delay ripple (p-p)	41.37 ~ 46.75 MHz (41.31 ~ 46.69 MHz)	–	20	50	ns	
Input Capacitance	Cin	–	14.5	–	pF	at 1MHz
Output Capacitance	Cout	–	3.7	–	pF	at 1MHz
Temperature coefficient		–	-72	–	ppm/°C	

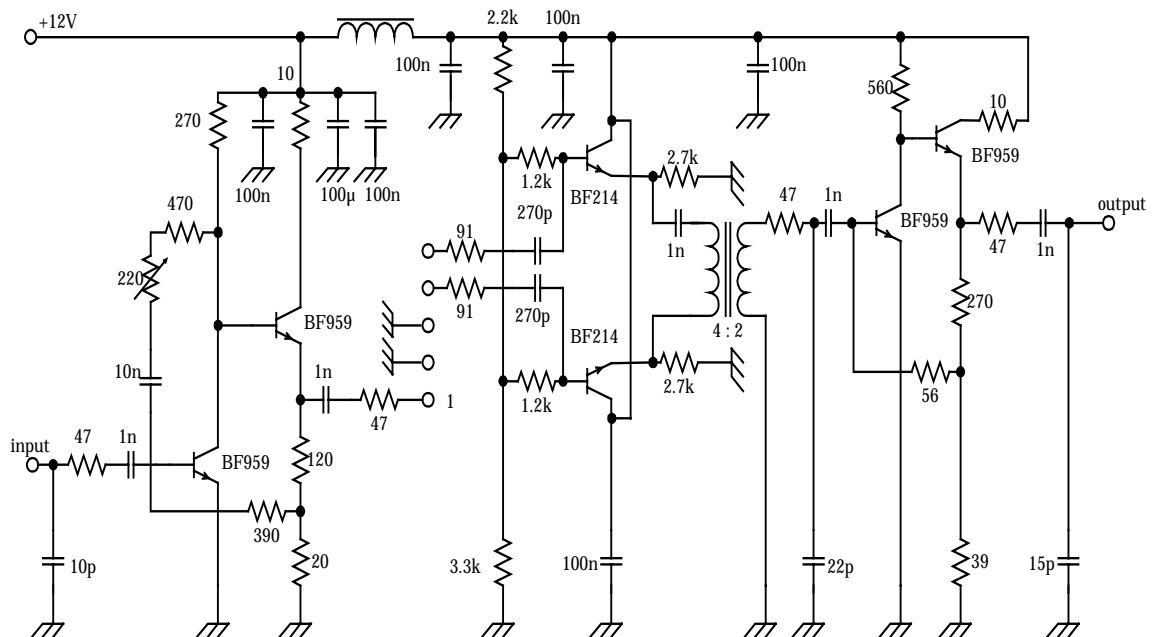
Customer Name	Standard specification	FUJITSU MEDIA DEVICES LIMITED	
Application	IF Filter for Terrestrial-TV		
System	America		
Picture Carrier Frequency	44.00 MHz	DATE	June 21, 2005
FMD Part Number	FAR-F4SE-44M000-H0A2	Version	1.1

1. Pin assignment of plastics Package



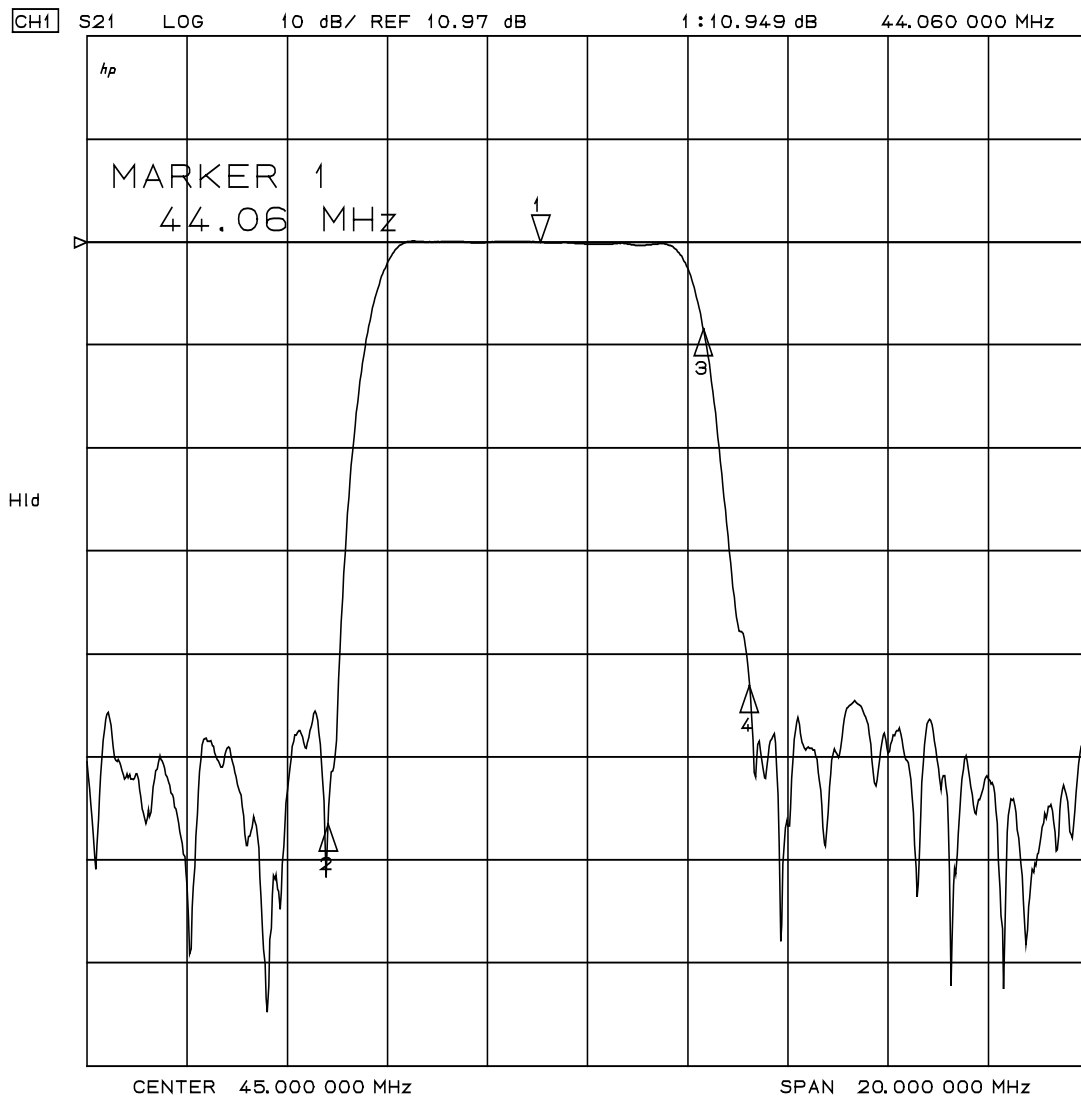
Pin No.	Pin name	Description
1	IN	input pin
2	IN	input pin (Ground)
3	GND	Ground pin
4	OUT	output pin
5	OUT	output pin

2. Measurement circuit



Customer Name	Standard specification	FUJITSU MEDIA DEVICES LIMITED	
Application	IF Filter for Terrestrial-TV		
System	America		
Picture Carrier Frequency	44.00 MHz	DATE	June 21, 2005
FMD Part Number	FAR-F4SE-44M000-H0A2	Version	1.1

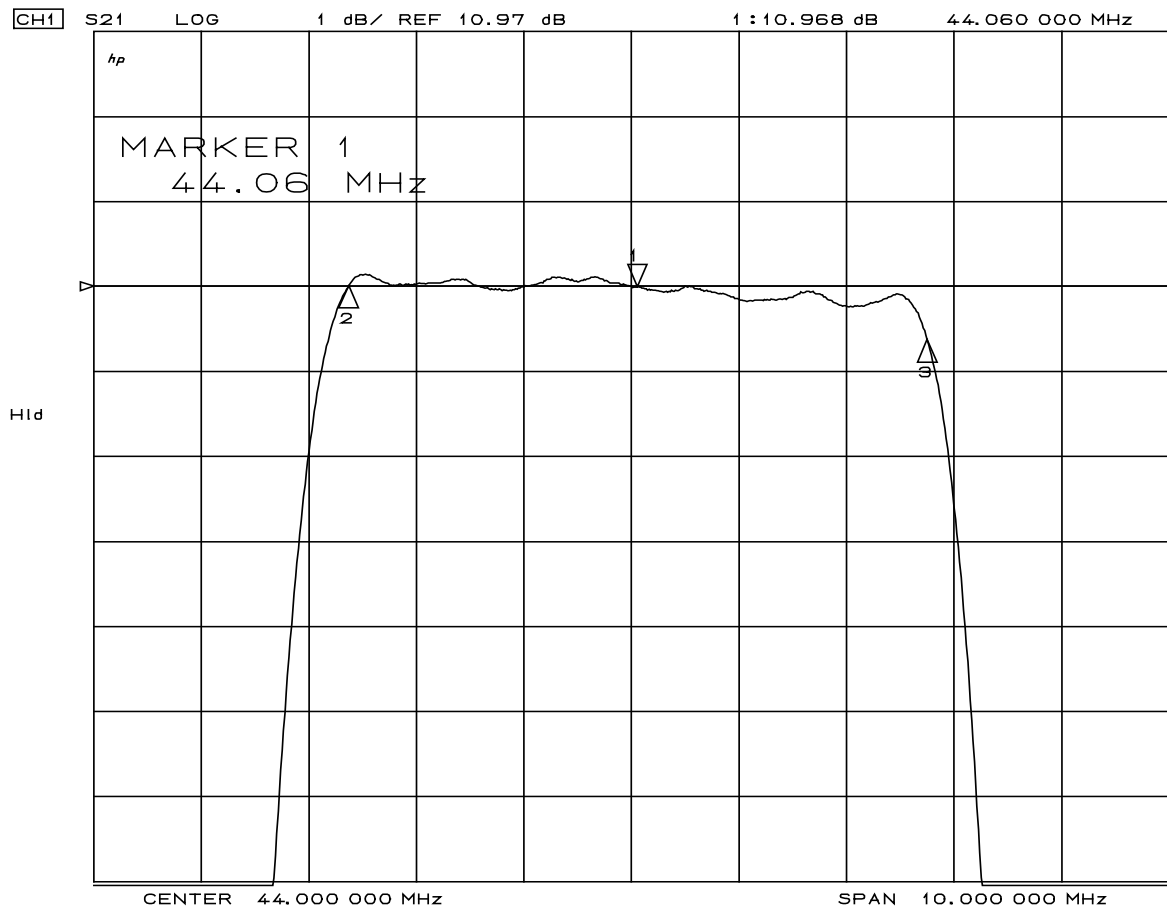
Amplitude Response (10dB/div)



- Marker 1 = 44.06 MHz
- Marker 2 = 39.81 MHz
- Marker 3 = 47.31 MHz
- Marker 4 = 48.23 MHz

Customer Name	Standard specification	FUJITSU MEDIA DEVICES LIMITED	
Application	IF Filter for Terrestrial-TV		
System	America		
Picture Carrier Frequency	44.00 MHz	DATE	June 21, 2005
FMD Part Number	FAR-F4SE-44M000-H0A2	Version	1.1

Amplitude Response (1dB/div)



Marker 1 = 44.06 MHz

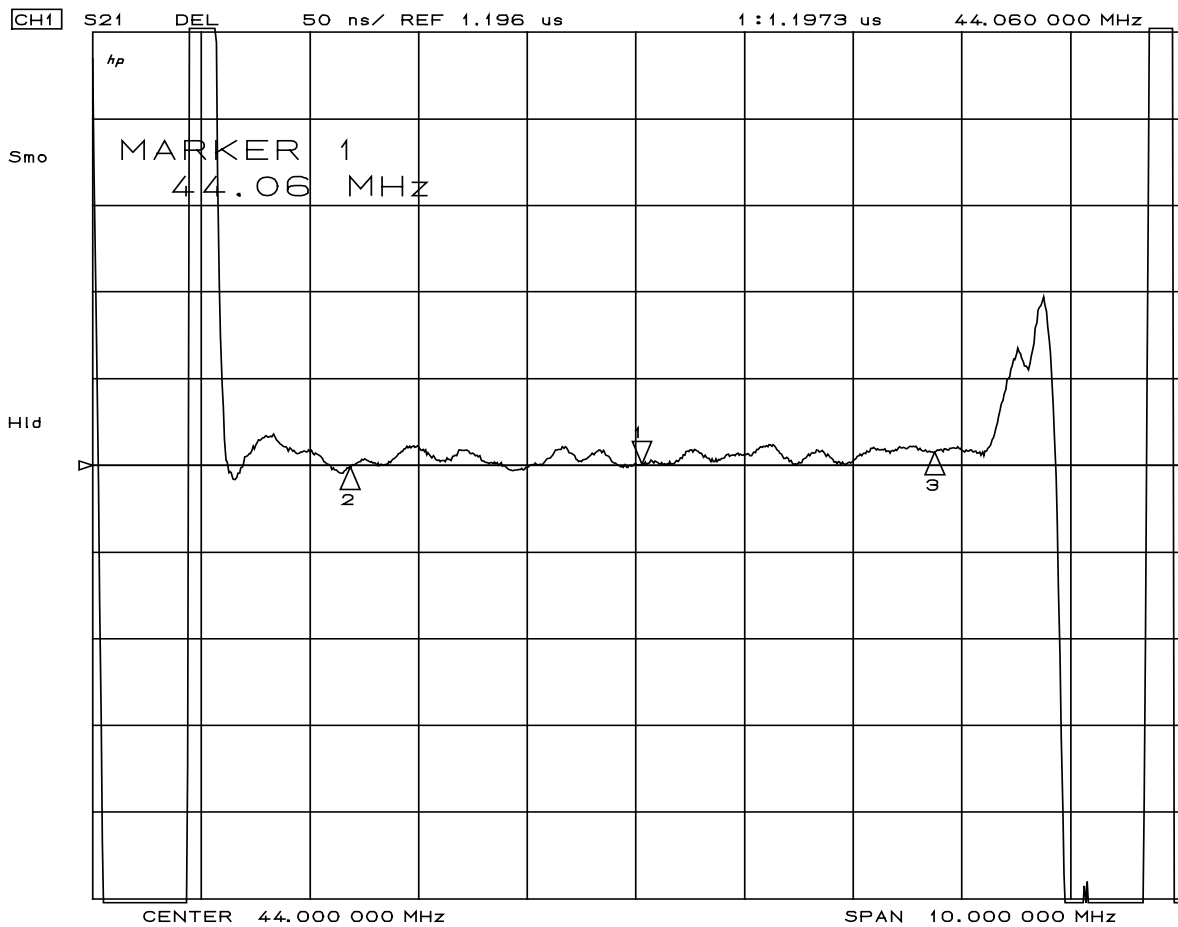
Marker 2 = 41.36 MHz

Marker 3 = 46.75 MHz

Customer Name	Standard specification	FUJITSU MEDIA DEVICES LIMITED	
Application	IF Filter for Terrestrial-TV		
System	America		
Picture Carrier Frequency	44.00 MHz	DATE	June 21, 2005
FMD Part Number	FAR-F4SE-44M000-H0A2	Version	1.1

Group Delay (50ns/div)

Delay Aper.=250kHz



Marker 1 = 44.06 MHz

Marker 2 = 41.37 MHz

Marker 3 = 46.75 MHz