

**PLEASE CHECK WWW.MOLEX.COM FOR LATEST PART INFORMATION**

**Part Number:** **0751991003**  
**Status:** **Active**  
**Overview:** vhdm\_hsd  
**Description:** 2.00mm (.079") Pitch 8-Row VHDM® Lite Backplane Header, Guide Pin Signal Module, Shield End Version, 80 Circuits, Pin Length 4.25mm (.167")

**Documents:**

[Drawing \(PDF\)](#) [RoHS Certificate of Compliance \(PDF\)](#)  
[Product Specification PS-74031-999 \(PDF\)](#)

**General**

Product Family	Backplane Connectors
Series	75199
Application	Backplane
Application Tooling Documents	<a href="http://www.molex.com/pdm_docs/ats/TM-622010999.pdf">Tooling Manual</a>
Comments	No Keying Position
Component Type	PCB Header
Overview	vhdm_hsd
Product Name	VHDM Lite®
Style	N/A

**Physical**

Circuits (Loaded)	80
Circuits (maximum)	80
Color - Resin	Black
Durability (mating cycles max)	200
First Mate / Last Break	No
Guide to Mating Part	Yes
Keying to Mating Part	None
Material - Metal	High Performance Alloy (HPA), Stainless Steel
Material - Plating Mating	Gold
Material - Plating Termination	Tin-Lead
Material - Resin	High Temperature Thermoplastic
Number of Columns	10
Number of Pairs	Open Pin Field
Number of Rows	8
Orientation	Vertical
PCB Retention	Yes
PCB Thickness Recommended (in)	0.070 In
PCB Thickness Recommended (mm)	1.80 mm
Packaging Type	Tube
Pitch - Mating Interface (in)	0.079 In
Pitch - Mating Interface (mm)	2.00 mm
Plating min: Mating (µin)	30
Plating min: Mating (µm)	0.75
Plating min: Termination (µin)	30
Plating min: Termination (µm)	0.75
Polarized to PCB	Yes
Stackable	Yes
Surface Mount Compatible (SMC)	Yes
Temperature Range - Operating	-55°C to +105°C
Termination Interface: Style	Through Hole - Compliant Pin

**Electrical**

Current - Maximum per Contact	1A
-------------------------------	----

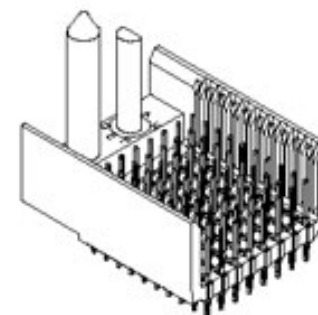


image - Reference only

Series

**EU RoHS**

**RoHS Compliant by Exemption**  
**REACH SVHC**  
**Contains SVHC: No**  
**Halogen-Free**  
**Status**  
**Not Reviewed**

**China RoHS**



**Need more information on product environmental compliance?**

Email [productcompliance@molex.com](mailto:productcompliance@molex.com)  
For a multiple part number RoHS Certificate of Compliance, [click here](#)

Please visit the [Contact Us](#) section for any non-product compliance questions.

**Search Parts in this Series**

75199Series

**Mates With**

75191 VHDM® Lite-Series Board-to-Board Daughtercard

**Use With**

Daughtercard Modules

**Application Tooling | FAQ**

*Tooling specifications and manuals are found by selecting the products below. Crimp Height Specifications are then contained in the Application Tooling Specification document.*

**Global**

Description	Product #
VHDM® Signal Pin Inserter Repair Tool	<a href="#">0622015700</a>
VHDM® Insertion Module for Standard Shield Signal Header, 8 Row by	<a href="#">0622020209</a>

Data Rate	622.0 Mbps
Real Signals (per 25mm)	76
Voltage - Maximum	120V AC (RMS)/DC

10 Wide, 20.00mm (.787")
-----------------------------

### **Material Info**

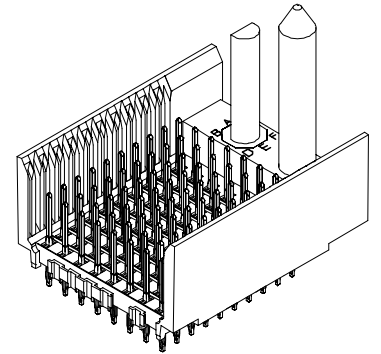
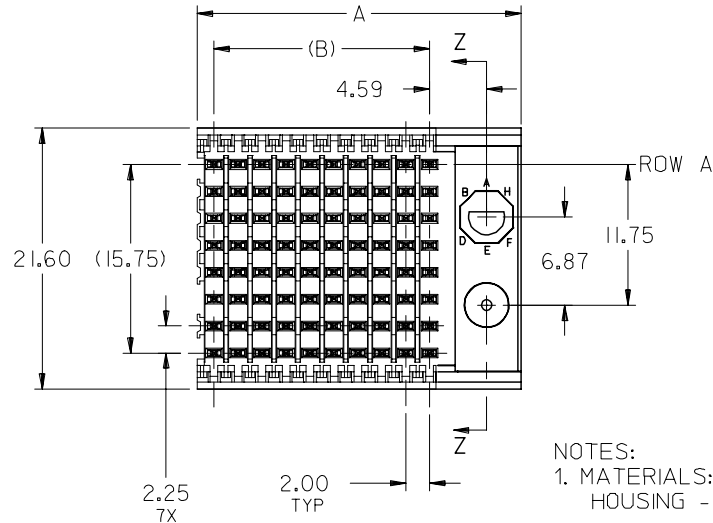
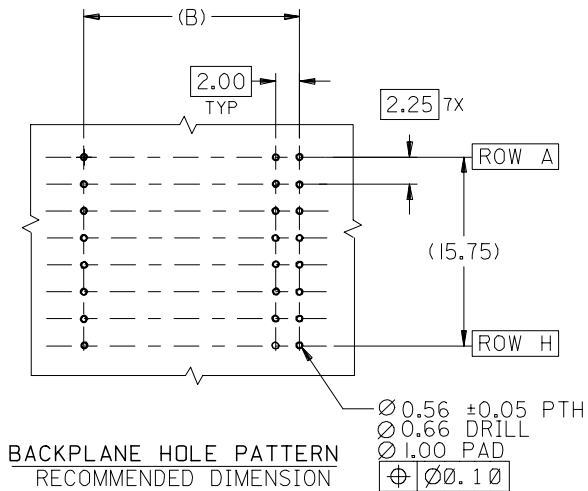
### **Reference - Drawing Numbers**

Packaging Specification	PK-74061-003
Product Specification	PS-74031-999
Sales Drawing	SD-75199-001

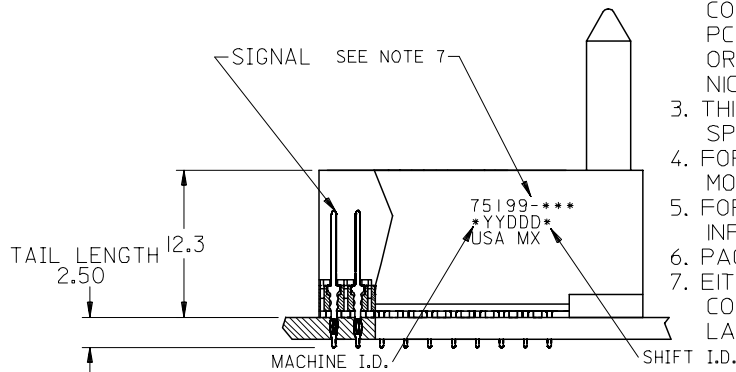
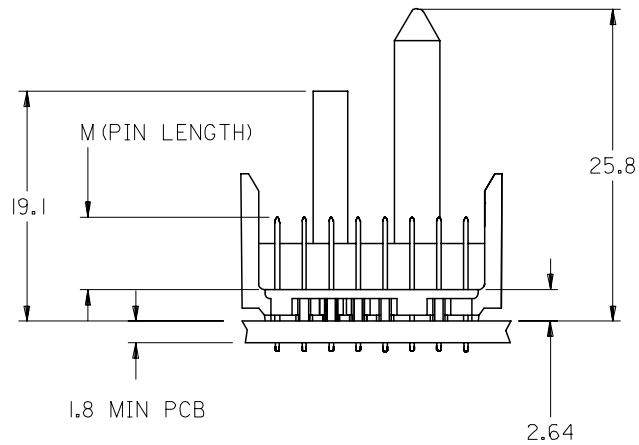
VHDM and Very High Density Metric are trademarks of Amphenol Corporation

This document was generated on 05/28/2010

**PLEASE CHECK [WWW.MOLEX.COM](http://WWW.MOLEX.COM) FOR LATEST PART INFORMATION**

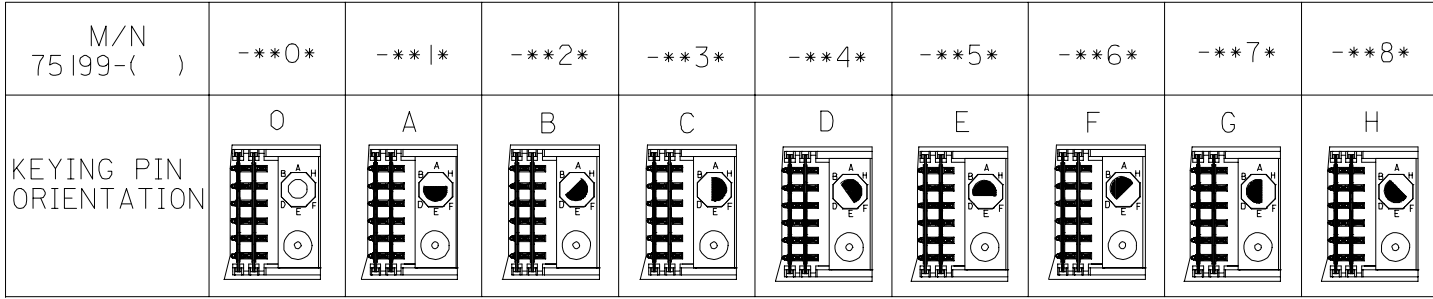


- NOTES:**
- MATERIALS:**  
HOUSING - LIQUID CRYSTAL POLYMER (LCP),  
GLASS-FILLED, UL 94V-0, COLOR: BLACK  
SIGNAL PIN - COPPER ALLOY
  - FINISHES:**  
CONTACT AREA: SELECTIVE GOLD (Au)  
PCB TAILS: SELECTIVE TIN/LEAD (Sn/Pb)  
OR SELECTIVE MATTE TIN (Sn)  
NICKEL (Ni) OVERALL.
  - THIS PART CONFORMS TO MOLEX PRODUCT SPECIFICATION PS-74031-999
  - FOR MIXED CONTACT LENGTHS CONSULT MOLEX FOR AVAILABILITY
  - FOR SPECIFIC MATERIAL NUMBERS & MATING INFORMATION REFER TO SHEET 2
  - PACKAGE PER PK-74061-003
  - EITHER MARK PART WITH PART NUMBER & DATE CODE APPROXIMATELY WHERE SHOWN OR PLACE LABEL ON THE TUBE.



ADD LEADFREE PINS EC NO: UCP2006-0059 DRWN: KMULVEY 2005/07/13 CHKD: 2005/07/13 APPR: SREED 2005/07/15	DESCRIPTION REV	QUALITY SYMBOLS	GENERAL TOLERANCES (UNLESS SPECIFIED)	DIMENSION STYLE	SCALE	DESIGN UNITS	THIRD ANGLE PROJECTION															
		$\nabla=0$ $\nabla=0$	<table border="1"> <thead> <tr> <th></th> <th>mm</th> <th>INCH</th> </tr> </thead> <tbody> <tr> <td>4 PLACES</td> <td>± ---</td> <td>± ---</td> </tr> <tr> <td>3 PLACES</td> <td>± ---</td> <td>± ---</td> </tr> <tr> <td>2 PLACES</td> <td>± ---</td> <td>± ---</td> </tr> <tr> <td>1 PLACE</td> <td>± ---</td> <td>± ---</td> </tr> </tbody> </table>		mm	INCH	4 PLACES	± ---	± ---	3 PLACES	± ---	± ---	2 PLACES	± ---	± ---	1 PLACE	± ---	± ---	MM ONLY	2.5:1	METRIC	
			mm	INCH																		
		4 PLACES	± ---	± ---																		
3 PLACES	± ---	± ---																				
2 PLACES	± ---	± ---																				
1 PLACE	± ---	± ---																				
<table border="1"> <thead> <tr> <th>DATE</th> <th>BY</th> </tr> </thead> <tbody> <tr> <td>2002/10/17</td> <td>MBANDURA</td> </tr> <tr> <td>2002/10/17</td> <td>CHECKED BY</td> </tr> <tr> <td>2002/10/17</td> <td>NMARTIN</td> </tr> <tr> <td>2002/10/17</td> <td>APPROVED BY</td> </tr> <tr> <td>2002/10/17</td> <td>CBIXLER</td> </tr> </tbody> </table>	DATE	BY	2002/10/17	MBANDURA	2002/10/17	CHECKED BY	2002/10/17	NMARTIN	2002/10/17	APPROVED BY	2002/10/17	CBIXLER	<table border="1"> <thead> <tr> <th>DATE</th> <th>TITLE</th> </tr> </thead> <tbody> <tr> <td>2002/10/17</td> <td>VHDM LITE 8 ROW SHIELD END BACKPLANE SALES ASSEMBLY</td> </tr> </tbody> </table>	DATE	TITLE	2002/10/17	VHDM LITE 8 ROW SHIELD END BACKPLANE SALES ASSEMBLY					
DATE	BY																					
2002/10/17	MBANDURA																					
2002/10/17	CHECKED BY																					
2002/10/17	NMARTIN																					
2002/10/17	APPROVED BY																					
2002/10/17	CBIXLER																					
DATE	TITLE																					
2002/10/17	VHDM LITE 8 ROW SHIELD END BACKPLANE SALES ASSEMBLY																					
<table border="1"> <thead> <tr> <th>MATERIAL NO.</th> <th>DOCUMENT NO.</th> <th>SHEET NO.</th> </tr> </thead> <tbody> <tr> <td>SEE SHEET 2</td> <td>SD-75199-001</td> <td>1 OF 2</td> </tr> </tbody> </table>	MATERIAL NO.	DOCUMENT NO.	SHEET NO.	SEE SHEET 2	SD-75199-001	1 OF 2	MOLEX INCORPORATED															
MATERIAL NO.	DOCUMENT NO.	SHEET NO.																				
SEE SHEET 2	SD-75199-001	1 OF 2																				

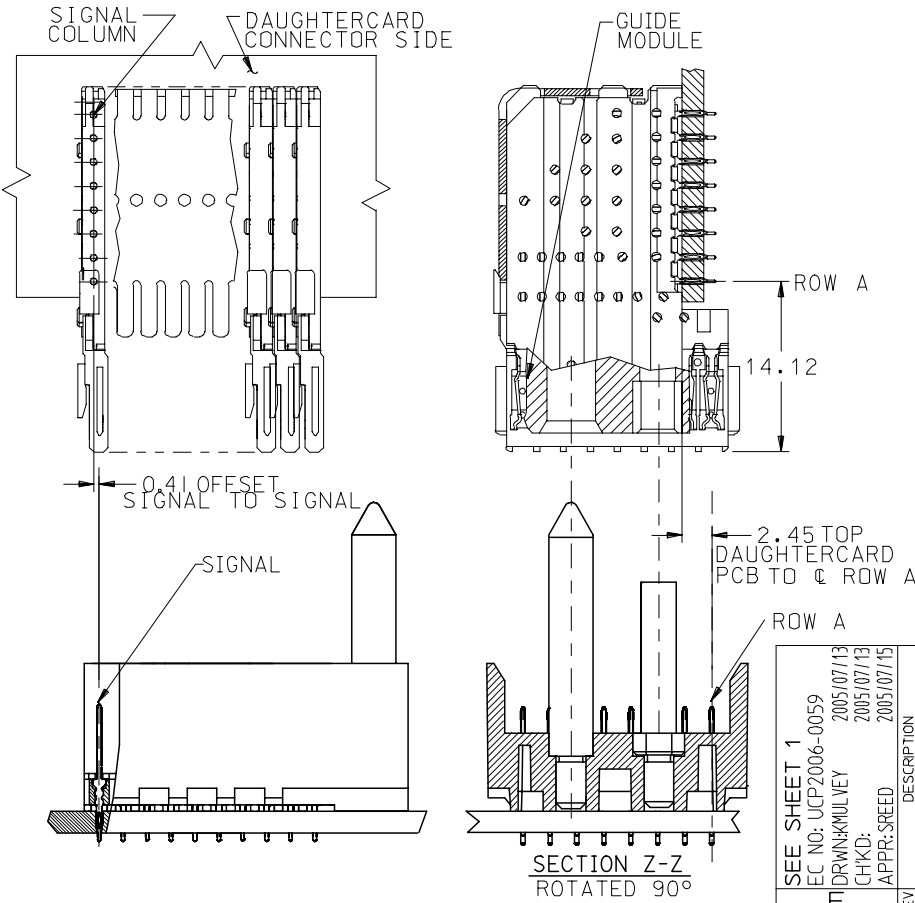
10 9 8 7 6 5 4 3 2 1



75199 - \* \* \* \*

NUMBER OF COLUMNS/PLATING  
 10 = 10 COLUMN TIN/LEAD  
 25 = 25 COLUMN TIN/LEAD  
 90 = 10 COLUMN MATTE TIN  
 85 = 25 COLUMN MATTE TIN

CONTACT LOAD (PIN HEIGHT)  
 1 = 4.75  
 2 = 6.25  
 3 = 4.25  
 4 = 5.15



PART NUMBER	COLUMN	NUMBER OF SIGNAL PIN	NUMBER OF SHIELD	A	B	M	Au (um) THICKNESS	Sn (um) THICKNESS
75199-0*1	10	80	0	27.00	18.00	4.75	0.76	0.76-1.52
75199-5*1	25	200	0	57.00	48.00	4.75	0.76	
75199-0*2	10	80	0	27.00	18.00	6.25	0.76	
75199-5*2	25	200	0	57.00	48.00	6.25	0.76	
75199-0*3	10	80	0	27.00	18.00	4.25	0.76	
75199-5*3	25	200	0	57.00	48.00	4.25	0.76	
75199-0*4	10	80	0	27.00	18.00	5.15	0.76	
75199-5*4	25	200	0	57.00	48.00	5.15	0.76	

SEE SHEET 1  
 EC NO: UCP2006-0059  
 DRWNG: KMLVEY 2005/07/13  
 CHKD: 2005/07/13  
 APPR: SREED 2005/07/15

QUALITY SYMBOLS 	GENERAL TOLERANCES (UNLESS SPECIFIED)	DIMENSION STYLE MM ONLY	SCALE 2.5:1	DESIGN UNITS METRIC	THIRD ANGLE PROJECTION																												
	<table border="1"> <tr> <th></th> <th>mm</th> <th>INCH</th> </tr> <tr> <td>4 PLACES</td> <td>± ---</td> <td>± ---</td> </tr> <tr> <td>3 PLACES</td> <td>± ---</td> <td>± ---</td> </tr> <tr> <td>2 PLACES</td> <td>± ---</td> <td>± ---</td> </tr> <tr> <td>1 PLACE</td> <td>± ---</td> <td>± ---</td> </tr> </table>		mm	INCH	4 PLACES	± ---	± ---	3 PLACES	± ---	± ---	2 PLACES	± ---	± ---	1 PLACE	± ---	± ---	<table border="1"> <tr> <th>DRAWN BY</th> <th>DATE</th> </tr> <tr> <td>MBANDURA</td> <td>2002/10/17</td> </tr> <tr> <th>CHECKED BY</th> <th>DATE</th> </tr> <tr> <td>NMARTIN</td> <td>2002/10/17</td> </tr> <tr> <th>APPROVED BY</th> <th>DATE</th> </tr> <tr> <td>CBIXLER</td> <td>2002/10/17</td> </tr> </table>	DRAWN BY	DATE	MBANDURA	2002/10/17	CHECKED BY	DATE	NMARTIN	2002/10/17	APPROVED BY	DATE	CBIXLER	2002/10/17	TITLE VHDM LITE 8 ROW SHIELD END BACKPLANE SALES ASSEMBLY		MATERIAL NO. SEE CHART	DOCUMENT NO. SD-75199-001
	mm	INCH																															
4 PLACES	± ---	± ---																															
3 PLACES	± ---	± ---																															
2 PLACES	± ---	± ---																															
1 PLACE	± ---	± ---																															
DRAWN BY	DATE																																
MBANDURA	2002/10/17																																
CHECKED BY	DATE																																
NMARTIN	2002/10/17																																
APPROVED BY	DATE																																
CBIXLER	2002/10/17																																
DRAFT WHERE APPLICABLE MUST REMAIN WITHIN DIMENSIONS		THIS DRAWING CONTAINS INFORMATION THAT IS PROPRIETARY TO MOLEX INCORPORATED AND SHOULD NOT BE USED WITHOUT WRITTEN PERMISSION																															

9 8 7 6 5 4 3 2 1