

**PLEASE CHECK WWW.MOLEX.COM FOR LATEST PART INFORMATION**

**Part Number:** [0674921450](#)  
**Status:** **Active**  
**Overview:** serial ata 127 host receptacles  
**Description:** 1.27mm (.050") Pitch Serial ATA Host Receptacle, Right Angle, SMT, Mating Height 5.85mm (.230"), Gold (Au) Flash Plating, 22 Circuits, with Cap, Tape on Reel, Lead free

**Documents:**

[3D Model](#) [Product Specification PS-67492-001 \(PDF\)](#)  
[Drawing \(PDF\)](#) [RoHS Certificate of Compliance \(PDF\)](#)

**General**

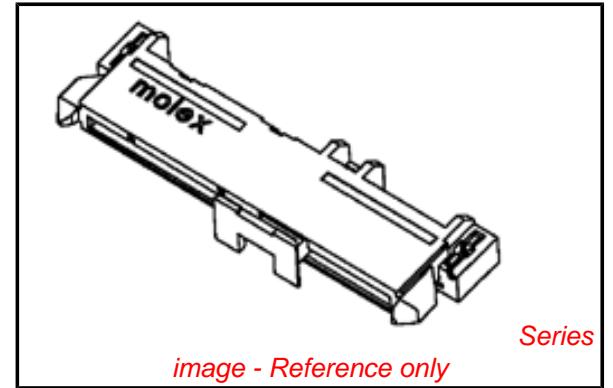
|                |   |
|----------------|---|
| Product Family | PCB Receptacles                                 |
| Series         | <a href="#">67492</a>                           |
| Application    | Board-to-Board                                  |
| Comments       | With Cap  |
| Overview       | <a href="#">serial ata 127 host receptacles</a> |
| Product Name   | Serial ATA                                      |

**Physical**

|                                |                                |
|--------------------------------|--------------------------------|
| Circuits (Loaded)              | 22                             |
| Circuits (maximum)             | 22                             |
| Color - Resin                  | Black                          |
| Durability (mating cycles max) | 500                            |
| Glow-Wire Compliant            | No                             |
| Guide to Mating Part           | Yes                            |
| Keying to Mating Part          | Yes                            |
| Lock to Mating Part            | None                           |
| Material - Metal               | Copper Alloy                   |
| Material - Plating Mating      | Gold                           |
| Material - Plating Termination | Tin                            |
| Material - Resin               | High Temperature Thermoplastic |
| Number of Rows                 | 1                              |
| Orientation                    | Right Angle                    |
| PCB Locator                    | Yes                            |
| PCB Retention                  | Yes                            |
| PCB Thickness Recommended (in) | 0.045 In                       |
| PCB Thickness Recommended (mm) | 1.20 mm                        |
| Packaging Type                 | Embossed Tape on Reel          |
| Pitch - Mating Interface (in)  | 0.050 In                       |
| Pitch - Mating Interface (mm)  | 1.27 mm                        |
| Pitch - Term. Interface (in)   | 0.050 In                       |
| Pitch - Term. Interface (mm)   | 1.27 mm                        |
| Plating min: Mating (µin)      | 2                              |
| Plating min: Mating (µm)       | 0.05                           |
| Plating min: Termination (µin) | 50                             |
| Plating min: Termination (µm)  | 1.27                           |
| Polarized to Mating Part       | Yes                            |
| Polarized to PCB               | Yes                            |
| Stackable                      | No                             |
| Temperature Range - Operating  | -35°C to +85°C                 |
| Termination Interface: Style   | Surface Mount                  |

**Electrical**

|                               |        |
|-------------------------------|--------|
| Current - Maximum per Contact | 1.5A   |
| Voltage - Maximum             | 15V DC |



**EU RoHS**

**ELV and RoHS  
Compliant**  
**REACH SVHC  
Not Reviewed**  
**Halogen-Free  
Status**

**China RoHS**



**Need more information on product  
environmental compliance?**

Email [productcompliance@molex.com](mailto:productcompliance@molex.com)  
 For a multiple part number RoHS Certificate of Compliance, [click here](#)

Please visit the [Contact Us](#) section for any non-product compliance questions.

**Search Parts in this Series**

[67492Series](#)

**Mates With**

[87703](#) , [87672](#) Serial ATA Plugs

**Material Info**

**Reference - Drawing Numbers**

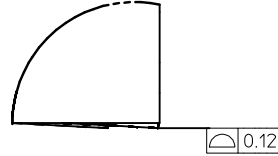
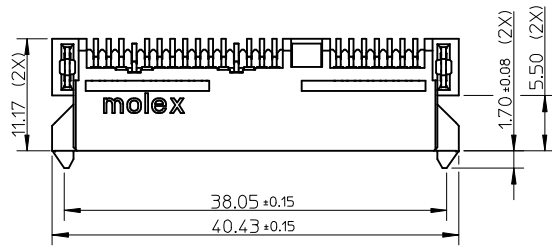
Packaging Specification  
Product Specification  
Sales Drawing

PK-67492-008  
PS-67492-001  
SD-67492-001

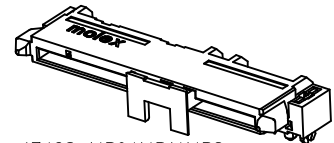
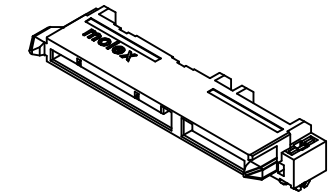
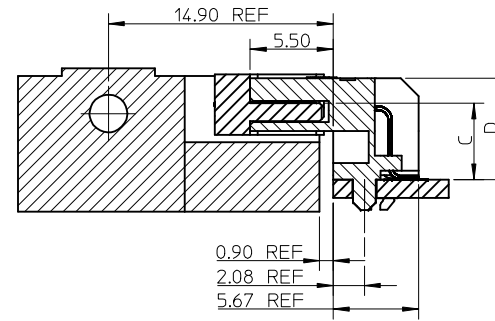
This document was generated on 05/31/2010

**PLEASE CHECK [WWW.MOLEX.COM](http://WWW.MOLEX.COM) FOR LATEST PART INFORMATION**

F

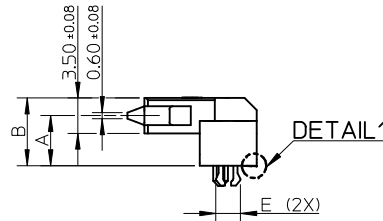
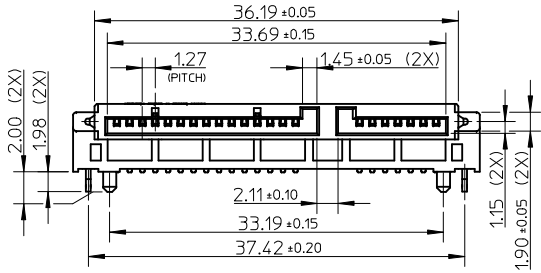


DETAIL1



67492-1430/1431/1432  
/1325/1326/1327  
/1440/1441/1442  
/1224/1225/1226  
/1450/1451/1452.

E

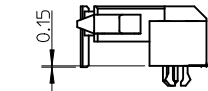
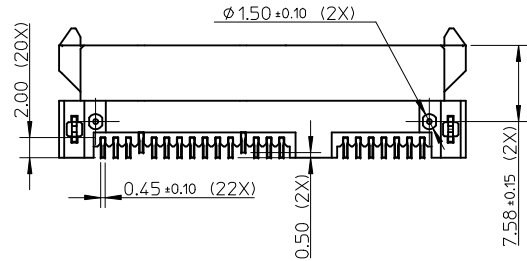


DETAIL1

NOTES:

- MATERIAL:  
HOUSING: HIGH TEMPERATURE THERMAL PLASTIC, UL94V-0, COLOR: BLACK;  
TERMINAL: COPPER ALLOY;  
FORKLOCK: COPPER ALLOY.
- TERMINAL PLATING:  
CONTACT AREA:  
(A) GOLD FLASH;  
(B) GOLD, THICKNESS=0.76 MICRONS MINIMUM;  
(C) GOLD, THICKNESS=0.38 MICRONS MINIMUM;  
SOLDER AREA: TIN, THICKNESS=1.27 MICRONS MINIMUM;  
UNDER PLATE: NICKEL, THICKNESS=1.27 MICRONS MINIMUM.
- FORKLOCK PLATING:  
SOLDER AREA: TIN, THICKNESS=1.27 MICRONS MINIMUM;  
UNDER PLATE: NICKEL, THICKNESS=1.27 MICRONS MINIMUM.
- PRODUCT SPECIFICATION: REFER TO PS-67492-001.
- PACKAGING METHOD: TRAY, USE DRYER IN HDPE BAGE TO PREVENT BLISTER.
- MATING PARTS: 87703/87672.
- PRODUCT COMPLIANT TO RoSH DIRECTIVE 2002/95/EC AND ELV DIRECTIVE 2000/53/EC.

D

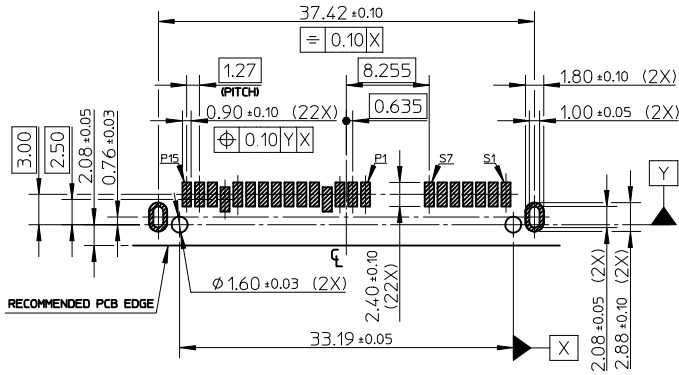


67492-1430/1431/1432  
/1325/1326/1327  
/1440/1441/1442  
/1224/1225/1226  
/1450/1451/1452.

OTHER DIMENSION PER OTHER VIEW

C

B



**RECOMMENDED P.C.B. LAYOUT (THICKNESS=1.2mm)**  
CONNECTOR SIDE

|  |                               |  |                      |                            |                      |                      |                        |  |   |                     |
|--|-------------------------------|--|----------------------|----------------------------|----------------------|----------------------|------------------------|--|---|---------------------|
| ADD PART NUMBER<br>EC NO: 2009/07/29<br>DRWN: XQZHANG<br>CHKD: GLLI<br>APPR: XJ.SONG<br>2009/08/07<br>2009/09/03 | QUALITY SYMBOLS<br>▽=0<br>◻=0 | GENERAL TOLERANCES (UNLESS SPECIFIED)                |                      | DIMENSION STYLE<br>MM ONLY |                      | SCALE<br>1:1         | DESIGN UNITS<br>METRIC | THIRD ANGLE PROJECTION                     |   |                     |
|  |                               | 4 PLACES ± --- ± ---                                 | 3 PLACES ± --- ± --- | 2 PLACES ± 0.15 ± ---      | 1 PLACE ± 0.25 ± --- | DRAWN BY<br>GRATE MA | DATE<br>2003/10/10     | TITLE<br>SATA HOST RECEPTACLE R/A SMT TYPE |   |                     |
|  |                               | ANGULAR ± 3 °  |                      |                            |                      | CHECKED BY<br>YA JUN | DATE<br>2003/10/10     |  |   |                     |
|  |                               | DRAFT WHERE APPLICABLE MUST REMAIN WITHIN DIMENSIONS |                      |                            |                      | APPROVED BY<br>SAM   | DATE<br>2003/10/10     | MATERIAL NO.<br>SEE SHEET 2                | DOCUMENT NO.<br>MOLEX INCORPORATED SD-67492-001 | SHEET NO.<br>1 OF 2 |

F

E

D

C

B

A

| P/N        | PLATING     | DIM'A' | DIM'B' | DIM'C' | DIM'D' | DIM'E'    | REMARK                                     |
|------------|-------------|--------|--------|--------|--------|-----------|--|
| 67492-1420 | NOTES 2 (A) | 4.15   | 5.90   | 4.25   | 5.90   | 2.45±0.10 | TRAY PACKAGE<br>PK-67492-001               |
| 67492-1421 | NOTES 2 (B) |        |        |        |        |           |  |
| 67492-1422 | NOTES 2 (C) |        |        |        |        |           |  |
| 67492-1320 | NOTES 2 (A) | 3.50   | 5.25   | 3.60   | 5.25   | 2.45±0.10 |  |
| 67492-1321 | NOTES 2 (B) |        |        |        |        |           |  |
| 67492-1322 | NOTES 2 (C) |        |        |        |        |           |  |
| 67492-1120 | NOTES 2 (A) | 1.80   | 3.55   | 1.90   | 3.55   | 2.45±0.10 |  |
| 67492-1121 | NOTES 2 (B) |        |        |        |        |           |  |
| 67492-1122 | NOTES 2 (C) |        |        |        |        |           |  |
| 67492-9220 | NOTES 2 (A) | 4.99   | 6.74   | 5.09   | 6.74   | 2.45±0.10 |  |
| 67492-9221 | NOTES 2 (B) |        |        |        |        |           |  |
| 67492-9222 | NOTES 2 (C) |        |        |        |        |           |  |
| 67492-1220 | NOTES 2 (A) | 4.99   | 6.74   | 5.09   | 6.74   | 2.45±0.10 | TAPE&REEL PACKAGE<br>PK-67492-002          |
| 67492-1221 | NOTES 2 (B) |        |        |        |        |           |  |
| 67492-1222 | NOTES 2 (C) |        |        |        |        |           |  |
| 67492-1224 | NOTES 2 (A) | 4.99   | 6.74   | 5.09   | 6.74   | 2.33±0.05 | TAPE&REEL PACKAGE WITH CAP<br>PK-67492-002 |
| 67492-1225 | NOTES 2 (B) |        |        |        |        |           |  |
| 67492-1226 | NOTES 2 (C) |        |        |        |        |           |  |
| 67492-1430 | NOTES 2 (A) | 4.15   | 5.90   | 4.25   | 5.90   | 2.45±0.10 | TAPE&REEL PACKAGE WITH CAP<br>PK-67492-008 |
| 67492-1431 | NOTES 2 (B) |        |        |        |        |           |  |
| 67492-1432 | NOTES 2 (C) |        |        |        |        |           |  |
| 67492-1325 | NOTES 2 (A) | 3.50   | 5.25   | 3.60   | 5.25   | 2.45±0.10 |  |
| 67492-1326 | NOTES 2 (B) |        |        |        |        |           |  |
| 67492-1327 | NOTES 2 (C) |        |        |        |        |           |  |
| 67492-1440 | NOTES 2 (B) | 4.15   | 5.90   | 4.25   | 5.90   | 2.33±0.05 |  |
| 67492-1441 | NOTES 2 (A) |        |        |        |        |           |  |
| 67492-1442 | NOTES 2 (C) |        |        |        |        |           |  |
| 67492-1450 | NOTES 2 (A) | 4.10   | 5.85   | 4.20   | 5.85   | 2.33±0.05 |  |
| 67492-1451 | NOTES 2 (B) |        |        |        |        |           |  |
| 67492-1452 | NOTES 2 (C) |        |        |        |        |           |  |

|  |  |                    |   |  |                                    |                              |                     |  |       |                                      |
|--|--|--------------------|---|--|------------------------------------|------------------------------|---------------------|--|-------|--------------------------------------|
| ADD PART NUMBER<br>EC NO:<br>DRWN:XQZHANG<br>CHKD:GLLI<br>APPR:XJ.SONG | 2009/07/29<br>2009/08/07<br>2009/09/03 | DESCRIPTION<br>REV | QUALITY SYMBOLS   | GENERAL TOLERANCES (UNLESS SPECIFIED)  | DIMENSION STYLE                    | SCALE                        | DESIGN UNITS        | THIRD ANGLE PROJECTION   |       |                                      |
|  |  |                    | ▼=0<br>◻=0  | mm    INCH<br>4 PLACES ± --- ± ---<br>3 PLACES ± --- ± ---<br>2 PLACES ± 0.15 ± ---<br>1 PLACE ± 0.25 ± ---<br>ANGULAR ± 3 ° | MM ONLY                            | 1:1                          | METRIC              | DRAWN BY DATE<br>GRATE MA 2003/10/10<br>CHECKED BY DATE<br>YA JUN 2003/10/10<br>APPROVED BY DATE<br>SAM 2003/10/10 | TITLE | SATA HOST RECEPTACLE<br>R/A SMT TYPE |
|  |  |                    | DRAFT WHERE APPLICABLE<br>MUST REMAIN<br>WITHIN DIMENSIONS  | SEE TABLE  | MATERIAL NO.<br>MOLEX INCORPORATED | DOCUMENT NO.<br>SD-67492-001 | SHEET NO.<br>2 OF 2 |  |       |                                      |
|  |  |                    | THIS DRAWING CONTAINS INFORMATION THAT IS PROPRIETARY TO MOLEX INCORPORATED AND SHOULD NOT BE USED WITHOUT WRITTEN PERMISSION |  |                                    |                              |                     |  |       |                                      |