

PLEASE CHECK WWW.MOLEX.COM FOR LATEST PART INFORMATION

Part Number: [0395173003](#)
Status: **Active**
Description: 3.81mm (.150") Pitch Eurostyle™ Vertical Plug, with Retention Screws, Front Wire Entry, 3 Circuits

Documents:

[3D Model](#) [Product Specification PS-39500-001 \(PDF\)](#)
[Drawing \(PDF\)](#) [RoHS Certificate of Compliance \(PDF\)](#)

General

| | |
|-----------------------------|---------------------------|
| Product Family | Terminal Blocks |
| Series | 39517 |
| Application | Wire-to-Board |
| Comments | Front Wire Entry |
| Component Type | Plug |
| Product Literature Order No | USA-355 |
| Product Name | ESE, Eurostyle™ Pluggable |
| Type | Euro Block |

Physical

| | |
|-------------------------------|--------------------------------|
| Circuits (Loaded) | 3 |
| Entry Angle | Horizontal |
| Lock to Mating Part | Yes |
| Number of Rows | 1 |
| Orientation | Vertical |
| Panel Mount | No |
| Pitch - Mating Interface (in) | 0.150 In |
| Pitch - Mating Interface (mm) | 3.81 mm |
| Polarized to Mating Part | Yes |
| Stackable | No |
| Temperature Range - Operating | -40°C to +105°C |
| Wire Size AWG | 16, 18, 20, 22, 24, 26, 28, 30 |
| Wire Size mm² | 0.05 - 1.31 |

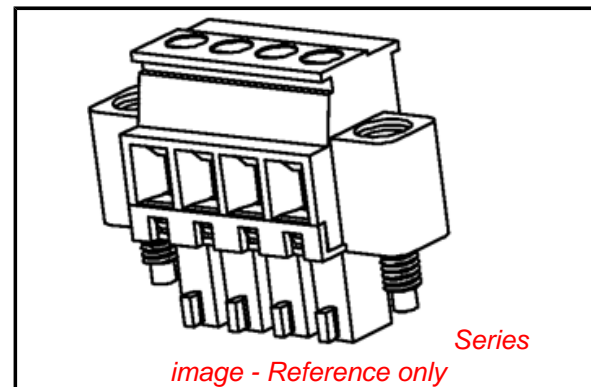
Electrical

| | |
|-------------------------------|------|
| Current - Maximum per Contact | 8A |
| Voltage - Maximum | 300V |

Material Info

Reference - Drawing Numbers

| | |
|-----------------------|--------------|
| Product Specification | PS-39500-001 |
| Sales Drawing | SD-39517-001 |



EU RoHS

**ELV and RoHS
Compliant**
REACH SVHC
 Not Reviewed
**Halogen-Free
Status**

China RoHS



Not Reviewed

**Need more information on product
environmental compliance?**

Email productcompliance@molex.com
 For a multiple part number RoHS Certificate of Compliance, [click here](#)

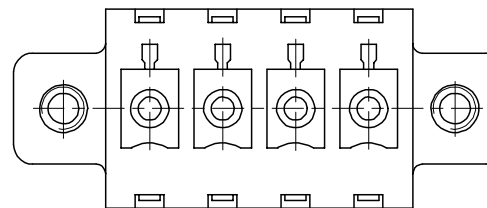
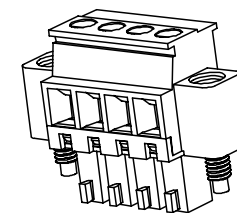
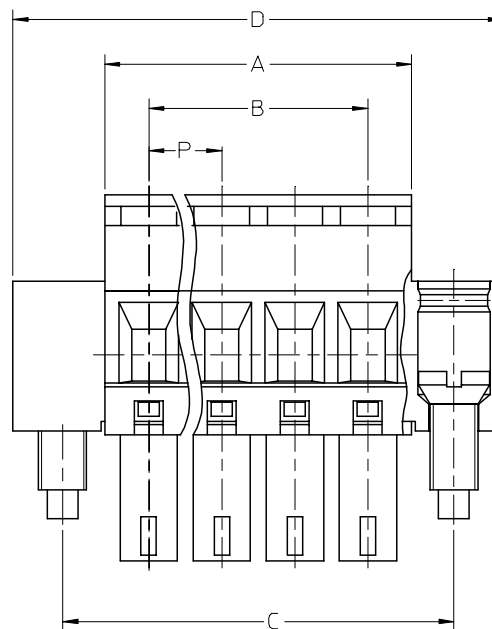
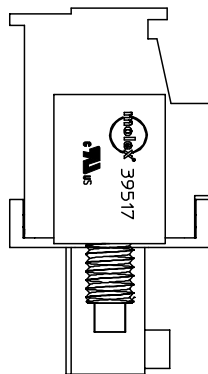
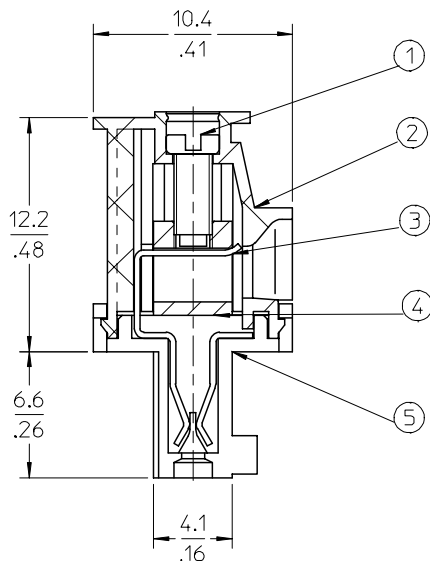
Please visit the [Contact Us](#) section for any non-product compliance questions.

Search Parts in this Series

[39517Series](#)

Mates With

Most 3.81mm (.150") Pitch Industry Standard PCB Headers, [39515](#) Vertical PCB Header with Threaded Retention Inserts, [39516](#) Horizontal PCB Header with Threaded Retention Inserts



SPECIFICATIONS:

1. Material:

- (1). Screw: STEEL.
- (2). Body: PA66
- (3). Terminal: Brass
- (4). Cage: Brass
- (5). Cover: PA66

2. Wire range: 30 - 16AWG.

3. Electrical rating: 300V, 8A.

4. MAX TORQUE: 3 in-lbs.

5. Wire strip length: 5.00mm.

6. Operating temperature: -40C to +105C.

7. $A = (N \times P) + .79mm$.

8. $B = (n - 1) \times P$

9. $C = B + 9.0mm$

10. $D = A + 9.6$

11. $P = (\text{Pitch}) = 3.81mm (.150")$

12. N = Number of positions available 2 through 20.

(B) 13. ASSEMBLY IS ROHS COMPLIANT.

| | | | | | | | | |
|--|---|---|--|--|----------------------------|--------------------|------------------------------|---------------------------|
| EDIT TITLE EC NO: ETC2007-0459 DRWN: CLYORK 2007/06/21 CHKD: JMACNEIL 2007/06/22 APPR: JMACNEIL 2007/06/25 | QUALITY SYMBOLS ▽=0 ▽=0 | GENERAL TOLERANCES (UNLESS SPECIFIED) | | DIMENSION STYLE MM/IN | | SCALE 4:1 | DESIGN UNITS INCH | THIRD ANGLE PROJECTION |
| | | 4 PLACES ± --- ±.0015 3 PLACES ±0.038 ±.005 2 PLACES ±0.13 ±.01 1 PLACE ±0.3 ± --- | DRAWN BY LROTHAUS DATE 2005/12/10 | TITLE (B) 3.81MM, EURO TERM BLOCK VERT, PLUG, FRONT WIRE ENTRY, MOUNTING ENDS | | MOLEX INCORPORATED | | |
| REV DESCRIPTION | DRAFT WHERE APPLICABLE MUST REMAIN WITHIN DIMENSIONS | | APPROVED BY J. PAWLICKI DATE 2006/01/10 | | MATERIAL NO. SEE SHT. 2 | | DOCUMENT NO. SD-39517-001 | SHEET NO. 1 OF 2 |
| | THIS DRAWING CONTAINS INFORMATION THAT IS PROPRIETARY TO MOLEX INCORPORATED AND SHOULD NOT BE USED WITHOUT WRITTEN PERMISSION | | | | | | | |

| Circuit size | Material Numbers | | | | | | | | | | | | Dimensional Information | | | | | | | |
|--------------|------------------|-----------|-----------|------------------|-----------|-----------|------------------|-----------|-----------|------------------|-----------|-----------|-------------------------|-------|-------|-------|-------|-------|-------|-------|
| | Black | | | | | | Green | | | | | | Dim. A | | Dim B | | Dim C | | Dim D | |
| | 100% Tin | | | 30 u" Gold | | | 100% Tin | | | 30 u" Gold | | | mm | inch | mm | inch | mm | inch | mm | inch |
| | Printing Options | | | Printing Options | | | Printing Options | | | Printing Options | | | | | | | | | | |
| | None | 10AV | 11AV | None | 10AV | 11AV | None | 10AV | 11AV | None | 10AV | 11AV | mm | inch | mm | inch | mm | inch | mm | inch |
| 2 | 395173002 | 395173302 | 395173402 | 395173502 | 395173802 | 395173902 | 395178002 | 395178302 | 395178402 | 395178502 | 395178802 | 395178902 | 8.41 | 0.331 | 3.81 | 0.150 | 12.81 | 0.504 | 18.01 | 0.709 |
| 3 | 395173003 | 395173303 | 395173403 | 395173503 | 395173803 | 395173903 | 395178003 | 395178303 | 395178403 | 395178503 | 395178803 | 395178903 | 12.22 | 0.481 | 7.62 | 0.300 | 16.62 | 0.654 | 21.82 | 0.859 |
| 4 | 395173004 | 395173304 | 395173404 | 395173504 | 395173804 | 395173904 | 395178004 | 395178304 | 395178404 | 395178504 | 395178804 | 395178904 | 16.03 | 0.631 | 11.43 | 0.450 | 20.43 | 0.804 | 25.63 | 1.009 |
| 5 | 395173005 | 395173305 | 395173405 | 395173505 | 395173805 | 395173905 | 395178005 | 395178305 | 395178405 | 395178505 | 395178805 | 395178905 | 19.84 | 0.781 | 15.24 | 0.600 | 24.24 | 0.954 | 29.44 | 1.159 |
| 6 | 395173006 | 395173306 | 395173406 | 395173506 | 395173806 | 395173906 | 395178006 | 395178306 | 395178406 | 395178506 | 395178806 | 395178906 | 23.65 | 0.931 | 19.05 | 0.750 | 28.05 | 1.104 | 33.25 | 1.309 |
| 7 | 395173007 | 395173307 | 395173407 | 395173507 | 395173807 | 395173907 | 395178007 | 395178307 | 395178407 | 395178507 | 395178807 | 395178907 | 27.46 | 1.081 | 22.86 | 0.900 | 31.86 | 1.254 | 37.06 | 1.459 |
| 8 | 395173008 | 395173308 | 395173408 | 395173508 | 395173808 | 395173908 | 395178008 | 395178308 | 395178408 | 395178508 | 395178808 | 395178908 | 31.27 | 1.231 | 26.67 | 1.050 | 35.67 | 1.404 | 40.87 | 1.609 |
| 9 | 395173009 | 395173309 | 395173409 | 395173509 | 395173809 | 395173909 | 395178009 | 395178309 | 395178409 | 395178509 | 395178809 | 395178909 | 35.08 | 1.381 | 30.48 | 1.200 | 39.48 | 1.554 | 44.68 | 1.759 |
| 10 | 395173010 | 395173310 | 395173410 | 395173510 | 395173810 | 395173910 | 395178010 | 395178310 | 395178410 | 395178510 | 395178810 | 395178910 | 38.89 | 1.531 | 34.29 | 1.350 | 43.29 | 1.704 | 48.49 | 1.909 |
| 11 | 395173011 | 395173311 | 395173411 | 395173511 | 395173811 | 395173911 | 395178011 | 395178311 | 395178411 | 395178511 | 395178811 | 395178911 | 42.70 | 1.681 | 38.10 | 1.500 | 47.10 | 1.854 | 52.30 | 2.059 |
| 12 | 395173012 | 395173312 | 395173412 | 395173512 | 395173812 | 395173912 | 395178012 | 395178312 | 395178412 | 395178512 | 395178812 | 395178912 | 46.51 | 1.831 | 41.91 | 1.650 | 50.91 | 2.004 | 56.11 | 2.209 |
| 13 | 395173013 | 395173313 | 395173413 | 395173513 | 395173813 | 395173913 | 395178013 | 395178313 | 395178413 | 395178513 | 395178813 | 395178913 | 50.32 | 1.981 | 45.72 | 1.800 | 54.72 | 2.154 | 59.92 | 2.359 |
| 14 | 395173014 | 395173314 | 395173414 | 395173514 | 395173814 | 395173914 | 395178014 | 395178314 | 395178414 | 395178514 | 395178814 | 395178914 | 54.13 | 2.131 | 49.53 | 1.950 | 58.53 | 2.304 | 63.73 | 2.509 |
| 15 | 395173015 | 395173315 | 395173415 | 395173515 | 395173815 | 395173915 | 395178015 | 395178315 | 395178415 | 395178515 | 395178815 | 395178915 | 57.94 | 2.281 | 53.34 | 2.100 | 62.34 | 2.454 | 67.54 | 2.659 |
| 16 | 395173016 | 395173316 | 395173416 | 395173516 | 395173816 | 395173916 | 395178016 | 395178316 | 395178416 | 395178516 | 395178816 | 395178916 | 61.75 | 2.431 | 57.15 | 2.250 | 66.15 | 2.604 | 71.35 | 2.809 |
| 17 | 395173017 | 395173317 | 395173417 | 395173517 | 395173817 | 395173917 | 395178017 | 395178317 | 395178417 | 395178517 | 395178817 | 395178917 | 65.56 | 2.581 | 60.96 | 2.400 | 69.96 | 2.754 | 75.16 | 2.959 |
| 18 | 395173018 | 395173318 | 395173418 | 395173518 | 395173818 | 395173918 | 395178018 | 395178318 | 395178418 | 395178518 | 395178818 | 395178918 | 69.37 | 2.731 | 64.77 | 2.550 | 73.77 | 2.904 | 78.97 | 3.109 |
| 19 | 395173019 | 395173319 | 395173419 | 395173519 | 395173819 | 395173919 | 395178019 | 395178319 | 395178419 | 395178519 | 395178819 | 395178919 | 73.18 | 2.881 | 68.58 | 2.700 | 77.58 | 3.054 | 82.78 | 3.259 |
| 20 | 395173020 | 395173320 | 395173420 | 395173520 | 395173820 | 395173920 | 395178020 | 395178320 | 395178420 | 395178520 | 395178820 | 395178920 | 76.99 | 3.031 | 72.39 | 2.850 | 81.39 | 3.204 | 86.59 | 3.409 |

| SEE SHEET 1 EC NO: ETC2007-0459 DRWN: CLYORK 2007/06/21 CHKD: IMACNEIL 2007/06/22 APPR: IMACNEIL 2007/06/25 | QUALITY SYMBOLS ▽=0 ▽=0 | GENERAL TOLERANCES (UNLESS SPECIFIED) <table border="1"> <tr><th></th><th>mm</th><th>INCH</th></tr> <tr><td>4 PLACES</td><td>± ---</td><td>±.0015</td></tr> <tr><td>3 PLACES</td><td>±0.038</td><td>±.005</td></tr> <tr><td>2 PLACES</td><td>±0.13</td><td>±.01</td></tr> <tr><td>1 PLACE</td><td>±0.3</td><td>± ---</td></tr> </table> | | mm | INCH | 4 PLACES | ± --- | ±.0015 | 3 PLACES | ±0.038 | ±.005 | 2 PLACES | ±0.13 | ±.01 | 1 PLACE | ±0.3 | ± --- | DIMENSION STYLE MM/IN | SCALE 4:1 | DESIGN UNITS INCH | THIRD ANGLE PROJECTION |
|---|-------------------------------|--|---|--|------|----------|-------|--------|----------|--------|-------|----------|-------|------|---------|------|-------|--------------------------|--------------|----------------------|------------------------|
| | | mm | INCH | | | | | | | | | | | | | | | | | | |
| | 4 PLACES | ± --- | ±.0015 | | | | | | | | | | | | | | | | | | |
| | 3 PLACES | ±0.038 | ±.005 | | | | | | | | | | | | | | | | | | |
| 2 PLACES | ±0.13 | ±.01 | | | | | | | | | | | | | | | | | | | |
| 1 PLACE | ±0.3 | ± --- | | | | | | | | | | | | | | | | | | | |
| DRAWN BY LROTHAUS | DATE 2005/12/06 | CHECKED BY C. YORK | DATE 2006/01/06 | TITLE 3.81MM, EURO TERM BLOCK VERT, PLUG, FRONT WIRE ENTRY, MOUNTING ENDS | | | | | | | | | | | | | | | | | |
| APPROVED BY J. PAWLICKI | DATE 2006/01/10 | MATERIAL NO. SEE CHART | | DOCUMENT NO. SD-39517-001 | | | | | | | | | | | | | | | | | |
| DRAFT WHERE APPLICABLE MUST REMAIN WITHIN DIMENSIONS | | SIZE B | THIS DRAWING CONTAINS INFORMATION THAT IS PROPRIETARY TO MOLEX INCORPORATED AND SHOULD NOT BE USED WITHOUT WRITTEN PERMISSION | | | | | | | | | | | | | | | | | | |