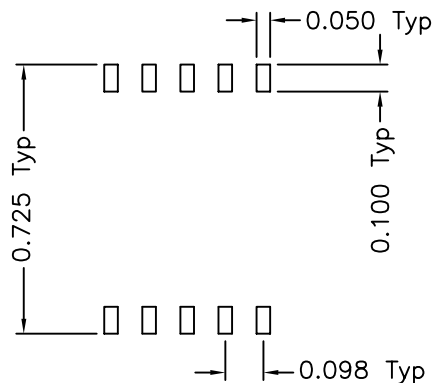
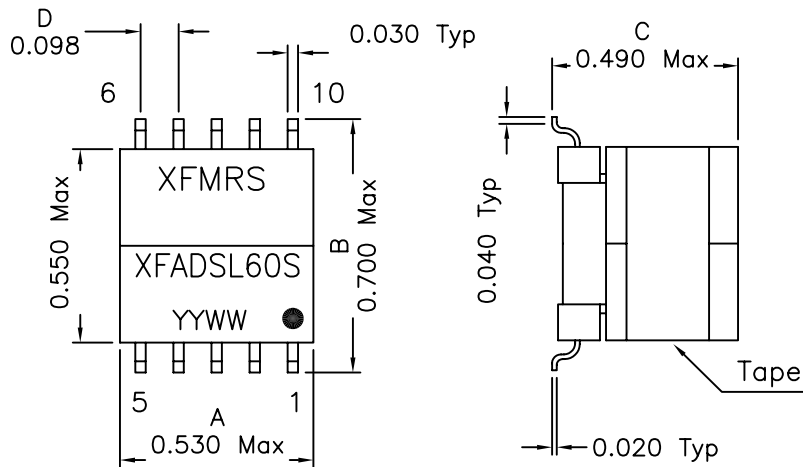
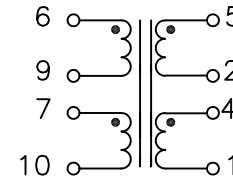


1. Dimensions:



Suggested PCB Layout

2. Schematic:



3. Electrical Specifications: @25°C

- Inductance: Pins 6-10 800uH±10%, @10KHz, 100mVAC (tie 9+7)
- Leakage Inductance (6-10): 20.0uH max @100KHz, 100mVAC (tie 9+7, 1+5, 2+4)
- Interwinding Capacitance(6-5): 30pF max @100KHz, 100mVAC (tie 9+7, 2+4)
- D.C. Resistance (@20C): Pins 6-9 0.710 Ohms±15%
- Pins 7-10 0.710 Ohms±15%
- Pins 5-2 0.190 Ohms±15%
- Pins 4-1 0.260 Ohms±15%
- Longitudinal Balance: 45dB min. 100KHz - 1MHz.
- Turns Ratio: (6-10) : (5-1) = 3.30:1±2%, tie (7+9, 2+4)
- Dielectric Rating: 3000VAC P6+7 to P4+5

Notes:

1. Solderability: Leads shall meet MIL-STD-202, Method 208D for solderability.
2. Flammability: UL94V-0
3. ASTM oxygen index: > 28%
4. Insulation System: Class F 155°C. UL file E151556
5. Operating Temperature Range: All listed parameters are to be within tolerance from -40°C to +85°C
6. Storage Temperature Range: -55°C to +125°C
7. UL1950 approved to Supplementary Insulation requirements for a working voltage up to 300V, file #E165866.

XFMRs Inc	Title: ADSL Line Xfmr		
UNLESS OTHERWISE SPECIFIED TOLERANCES: .xxx ±0.010 Dimensions in INCH	P/N: XFADSL60S		REV. A
	DWN.	廖玉坤	Mar-10-04
SHEET 1 OF 1	CHK.	李清儿	Mar-10-04
	APP.	Joe Huff	Mar-10-04

DOC. REV A/2