

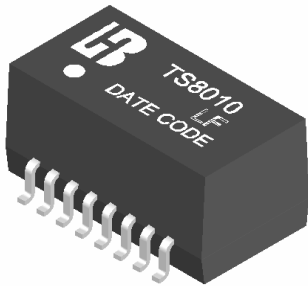


TS8010 LF

10 BASE-T SMD ETHERNET TRANSFORMER

P/N:TS8010 LF DATA SHEET

Feature

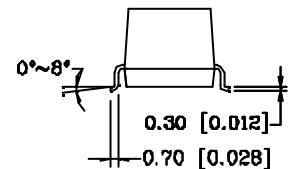
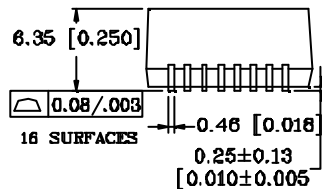
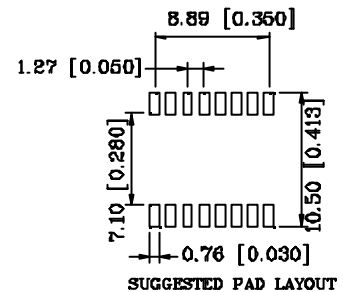
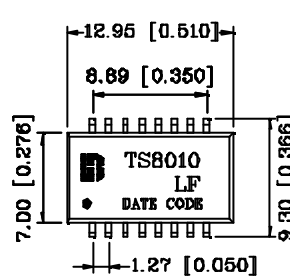
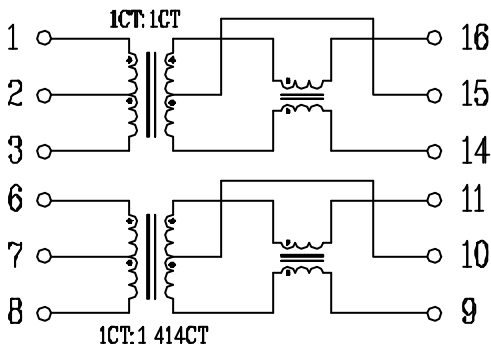


- 16 PIN SMD package to compliant with IEEE 802.3 standard.
- With common choke to meet FCC Class B & CISPR B.
- Model is available to interface with 10 BASE-T transceivers.
- Compatible with IR oven processes.
- Comply with RoHS requirements-whole part No Cd, No Hg, No Cr6+, No PBB and PBDE and No Pb on external pins.
- Comply with Air reflow profile of JEDEC 020C.
- Operating temperature range: 0°C to +70°C.
- Storage temperature range: -25°C to +125°C.

Electrical Specifications @ 25°C								
Part Number	Turns Ratio		Pri OCL (uH Min)	L.L (uH Max)	C <sub>www</sub> (pF Max)	Pri DCR (O Max)	HI-POT (Vrms)	PRI Pins
	(1-3):(16-14)	(6-8):(11-9)						
TS8010 LF	1CT:1CT	1CT:1.414CT	140	0.40	20	0.90	2000	(1-3)&(6-8)

Schematic

Mechanical



Units: mm [Inches] Tolerances: xx.x0±0.25 [0.010]  
 0.xx±0.05 [0.002]