

MSLU100 Series

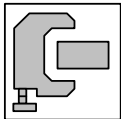
1W, Miniature SMD, Single & Dual Output DC/DC Converters



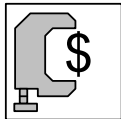
Key Features



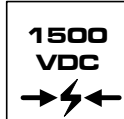
- Efficiency up to 80%
- 1500VDC Isolation
- MTBF > 2,000,000 Hours
- Low Cost
- Input 5, 12 and 24VDC
- Output 3.3, 5, 12, 15, 9, ± 5 , ± 12 and ± 15 VDC
- Temperature Performance -25°C to $+75^{\circ}\text{C}$
- UL 94V-0 Package Material
- Interanal SMD Construction



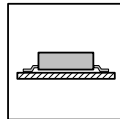
Low Profile



Low Cost



I/O Isolation



SMD

Minmax's MSLU100 1W DC/DC's are in "gull-wing" SMT package, weigh a mere 1.7 grams and meet IPC/JEDEC J-STD-020C 4th & 5th chapter in solder-reflow for lead free process.

The series consists of 24 models with input voltages of 5V, 12V and 24VDC which offers standard single output voltages of 3.3V, 5V, 9V, 12V, 15V, ± 5 V, ± 12 V and ± 15 VDC for the choice.

Their impressive guaranteed efficiencies enable all models to deliver their fully rated output power from -25°C to $+75^{\circ}\text{C}$ without heat sinking or forced-air cooling.

The MSLU100 series is an excellent selection for a wide variety of applications including data communication equipments, distributed power systems, telecommunication equipments and industrial robot systems.

The MSLU100 units are available in tape and reel package.

Absolute Maximum Ratings

Parameter	Min.	Max.	Unit	
Input Surge Voltage (1000 mS)	5VDC Input Models	-0.7	9	VDC
	12VDC Input Models	-0.7	18	VDC
	24VDC Input Models	-0.7	30	VDC
Lead Temperature (1.5mm from case for 10 Sec.)	---	260	$^{\circ}\text{C}$	
Internal Power Dissipation	---	450	mW	

Exceeding the absolute maximum ratings of the unit could cause damage. These are not continuous operating ratings.

Environmental Specifications

Parameter	Conditions	Min.	Max.	Unit
Operating Temperature	Ambient	-25	+75	$^{\circ}\text{C}$
Operating Temperature	Case	-25	+90	$^{\circ}\text{C}$
Storage Temperature		-40	+125	$^{\circ}\text{C}$
Humidity		---	95	%
Cooling	Free-Air Convection			

Leadfree Reflow Solder Process as per IPC/JEDEC J-STD-020C peak temp. 245C/10 sec.

Model Selection Guide

Model Number	Input Voltage	Output Voltage	Output Current		Input Current		Load Regulation	Efficiency
			Max.	Min.	@Max. Load	@No Load		@Max. Load
	VDC	VDC	mA	mA	mA (Typ.)	mA (Typ.)	% (Max.)	% (Typ.)
MSLU101	5 (4.5 ~ 5.5)	3.3	300	6	271	30	10	73
MSLU102		5	200	4	256		10	78
MSLU103		9	110	2	254		10	78
MSLU104		12	84	1.5	259		8	78
MSLU105		15	67	1	254		7	79
MSLU106		±5	±100	±2	270		10	74
MSLU108		±12	±42	±0.8	259		8	78
MSLU109		±15	±33	±0.7	254		7	78
MSLU111		12 (10.8 ~ 13.2)	3.3	300	6		112	15
MSLU112	5		200	4	109	8	76	
MSLU113	9		110	2	106	8	78	
MSLU114	12		84	1.5	106	5	79	
MSLU115	15		67	1	105	5	80	
MSLU116	±5		±100	±2	113	8	74	
MSLU118	±12		±42	±0.8	108	5	78	
MSLU119	±15		±33	±0.7	104	5	79	
MSLU121	24 (21.6 ~ 26.4)		3.3	300	6	58	8	
MSLU122		5	200	4	54	8		78
MSLU123		9	110	2	54	8		77
MSLU124		12	84	1.5	55	5		77
MSLU125		15	67	1	53	5		79
MSLU126		±5	±100	±2	57	9	8	73
MSLU128		±12	±42	±0.8	54		5	78
MSLU129		±15	±33	±0.7	53		5	78

Capacitive Load

Models by Vout	3.3V	5V	9V	12V	15V	±5V	±12V	±15V	Unit
Maximum Capacitive Load	33	33	33	33	33	33	33	33	uF

For each output

Input Fuse Selection Guide

5V Input Models	12V Input Models	24V Input Models
500mA Slow – Blow Type	200mA Slow – Blow Type	100mA Slow – Blow Type

Input Specifications

Parameter	Model	Min.	Typ.	Max.	Unit
Input Voltage Range	5V Input Models	4.5	5	5.5	VDC
	12V Input Models	10.8	12	13.2	
	24V Input Models	21.6	24	26.4	
Reverse Polarity Input Current	All Models	---	---	0.3	A
Input Filter		Internal Capacitor			

MSLU100 Series

Output Specifications

Parameter	Conditions	Min.	Typ.	Max.	Unit
Output Voltage Balance	Dual Output , Balanced Loads	---	± 0.1	± 1.0	%
Line Regulation	For V_{in} Change of 10%	---	± 1.2	± 1.5	%
Load Regulation	$I_o=20\%$ to 100%	See Model Selection Guide			%
Ripple & Noise (20MHz)		---	60	120	mV P-P
Ripple & Noise (20MHz)	Over Line, Load & Temp.	---	---	150	mV P-P
Ripple & Noise (20MHz)		---	---	15	mV rms
Temperature Coefficient		---	± 0.01	± 0.02	%/°C
Output Short Circuit	0.5 Second Max.				

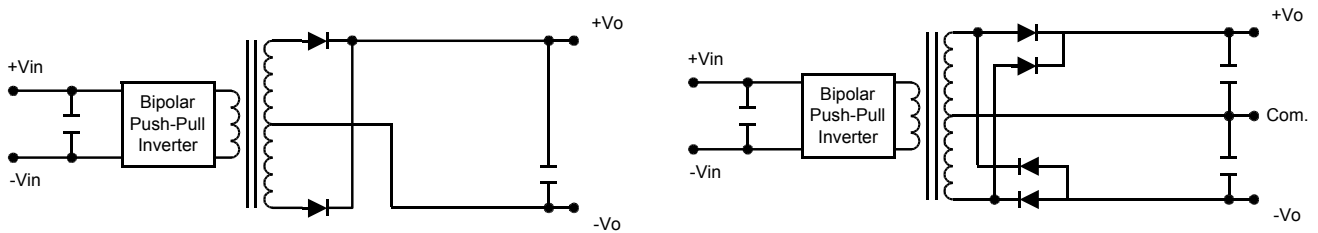
General Specifications

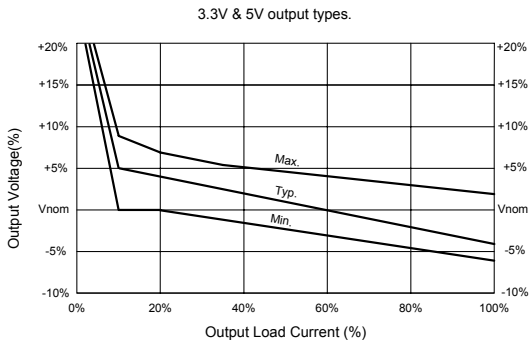
Parameter	Conditions	Min.	Typ.	Max.	Unit
Isolation Voltage Rated	60 Seconds	1500	---	---	VDC
Isolation Voltage Test	Flash Tested for 1 Second	1650	---	---	VDC
Isolation Resistance	500VDC	1000	---	---	MΩ
Isolation Capacitance	100KHz, 1V	---	40	100	pF
Switching Frequency		50	100	140	KHz
MTBF	MIL-HDBK-217F @ 25°C, Ground Benign	2000	---	---	K Hours
Moisture Sensitivity Level (MSL) TEMPERATURE	IPC/JEDEC J-STD-20	LEVEL 2			

Notes :

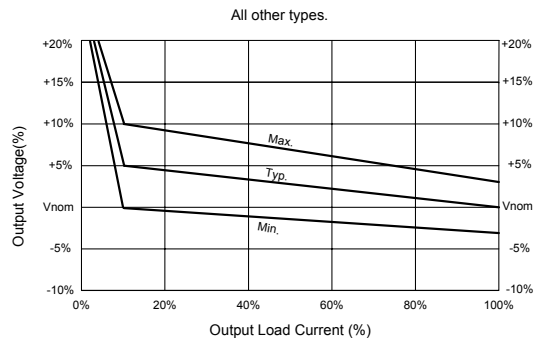
1. Specifications typical at $T_a=+25^\circ\text{C}$, resistive load, nominal input voltage, rated output current unless otherwise noted.
2. Ripple & Noise measurement bandwidth is 0–20 MHz.
3. These power converters require a minimum output loading to maintain specified regulation.
4. Operation under no-load conditions will not damage these modules; however, they may not meet all specifications listed.
5. All DC/DC converters should be externally fused at the front end for protection.
6. Other input and output voltage may be available, please contact factory.
7. Specifications subject to change without notice.
8. It is not recommended to use water-washing process on SMT units.

Block Diagram

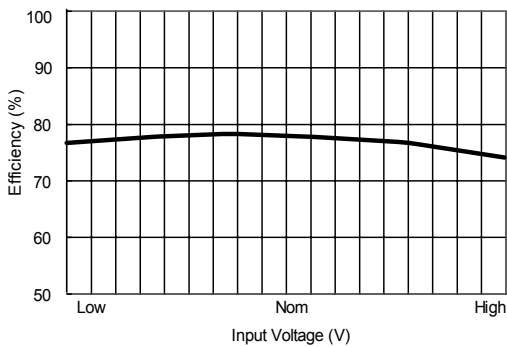




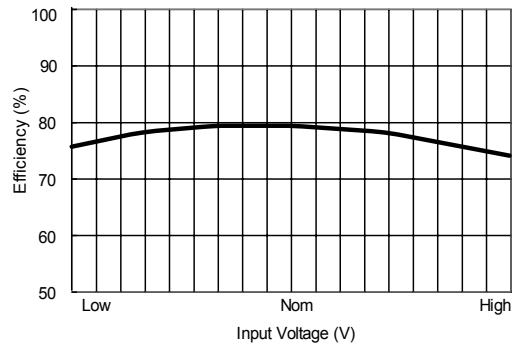
Tolerance Envelopes Graph (3.3V & 5V Output)



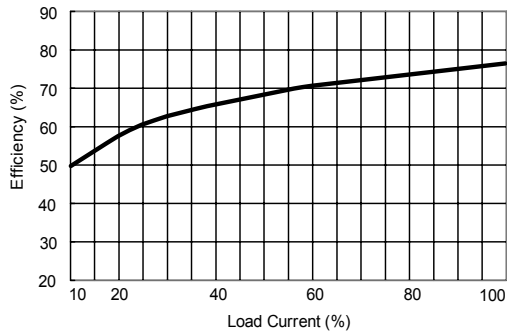
Tolerance Envelopes Graph (All other Output)



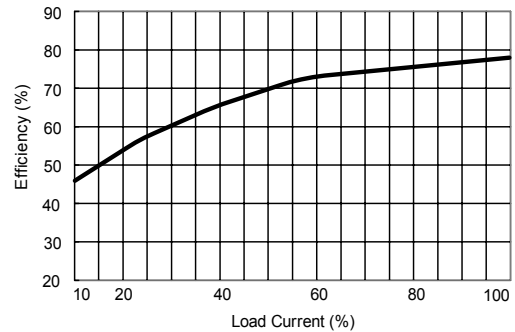
Efficiency vs Input Voltage (Single Output)



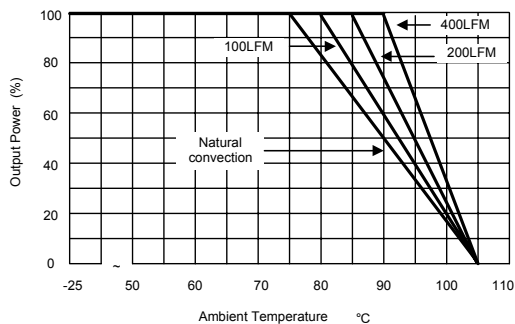
Efficiency vs Input Voltage (Dual Output)



Efficiency vs Output Load (Single Output)



Efficiency vs Output Load (Dual Output)



Derating Curve

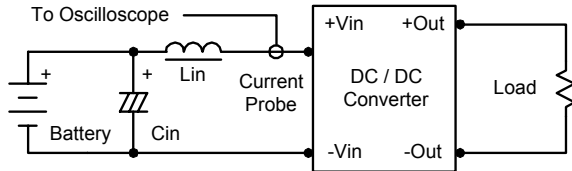
Test Configurations

Input Reflected-Ripple Current Test Setup

Input reflected-ripple current is measured with an inductor L_{in} (4.7uH) and C_{in} (220uF, ESR < 1.0Ω at 100 KHz) to simulate source impedance.

Capacitor C_{in} , offsets possible battery impedance.

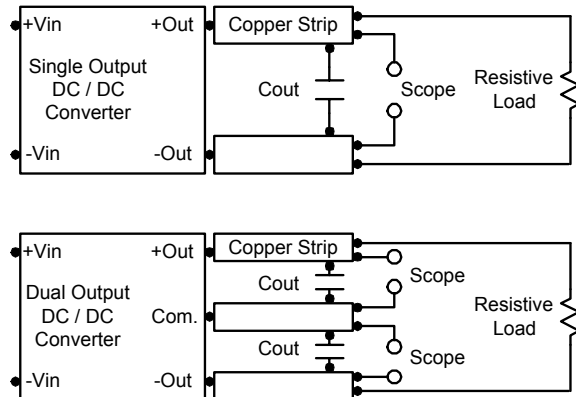
Current ripple is measured at the input terminals of the module, measurement bandwidth is 0–500 KHz.



Peak-to-Peak Output Noise Measurement Test

Use a C_{out} 0.33uF ceramic capacitor.

Scope measurement should be made by using a BNC socket, measurement bandwidth is 0–20 MHz. Position the load between 50 mm and 75 mm from the DC/DC Converter.



Design & Feature Considerations

Maximum Capacitive Load

The MSLU100 series has limitation of maximum connected capacitance at the output.

The power module may be operated in current limiting mode during start-up, affecting the ramp-up and the startup time.

For optimum performance we recommend 33uF maximum capacitive load.

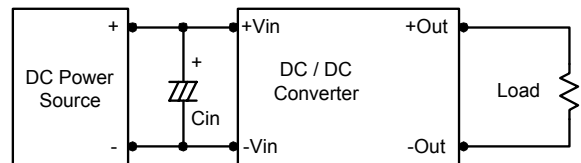
The maximum capacitance can be found in the data sheet.

Input Source Impedance

The power module should be connected to a low ac-impedance input source. Highly inductive source impedances can affect the stability of the power module.

In applications where power is supplied over long lines and output loading is high, it may be necessary to use a capacitor at the input to ensure startup.

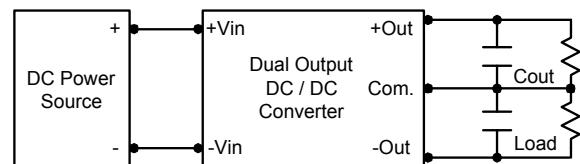
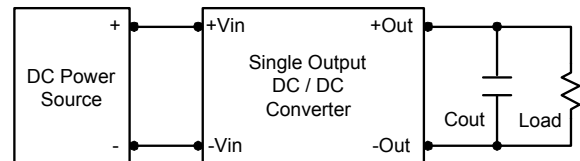
Capacitor mounted close to the power module helps ensure stability of the unit, it is recommended to use a good quality low Equivalent Series Resistance (ESR < 1.0Ω at 100 KHz) capacitor of a 2.2uF for the 5V input devices, a 1.0uF for the 12V input devices and a 0.47uF for the 24V input devices.



Output Ripple Reduction

A good quality low ESR capacitor placed as close as practicable across the load will give the best ripple and noise performance.

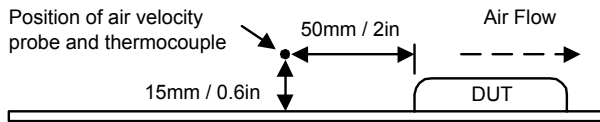
To reduce output ripple, it is recommended to use 3.3uF capacitors at the output.



Thermal Considerations

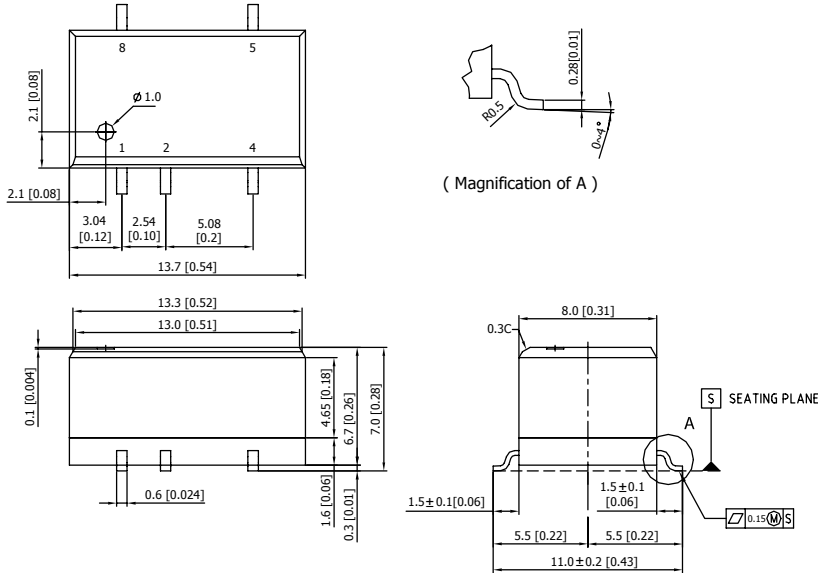
Many conditions affect the thermal performance of the power module, such as orientation, airflow over the module and board spacing. To avoid exceeding the maximum temperature rating of the components inside the power module, the case temperature must be kept below 90° C.

The derating curves are determined from measurements obtained in an experimental apparatus.



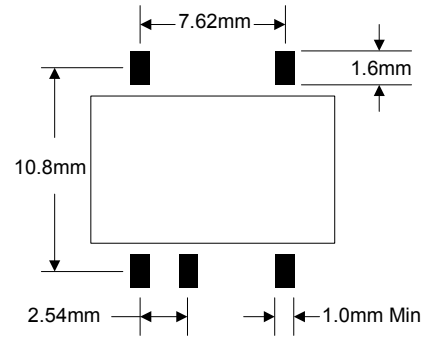
Mechanical Dimensions

Single Output

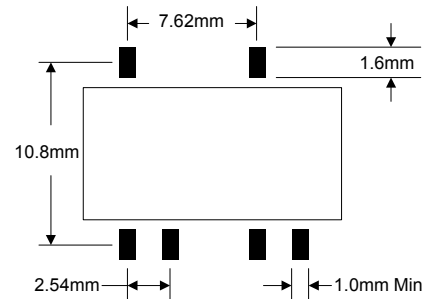
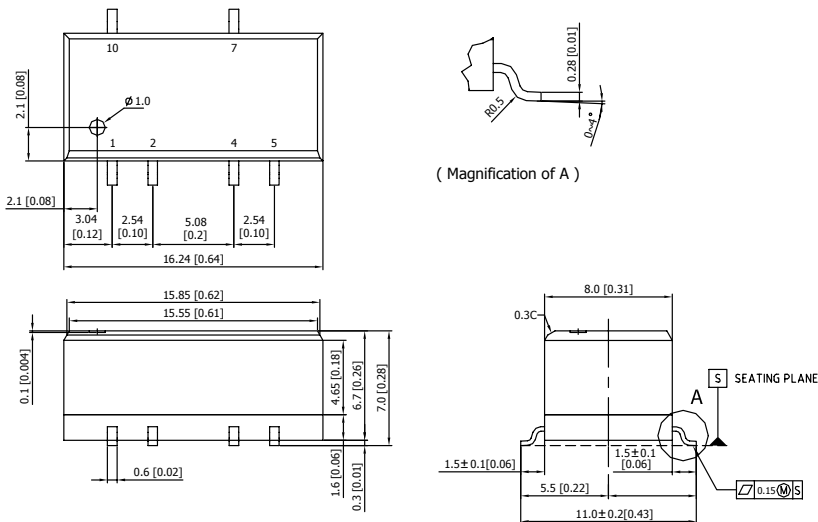


Connecting Pin Patterns

Top View (2.54 mm / 0.1 inch grids)



Dual Output



Tolerance	Millimeters	Inches
	X.X±0.25	X.XX±0.01
	X.XX±0.10	X.XXX±0.004
Pin	±0.05	±0.002

Pin Connections

Pin	Singles	Dual
1	-Vin	-Vin
2	+Vin	+Vin
3	No Pin	No Pin
4	-Vout	Common
5	+Vout	-Vout
6	No Pin	No Pin
7	No Pin	+Vout
8	NA	No Pin
9		No Pin
10		NA

NA: Not Available for Electrical Connection

Physical Characteristics

Case Size (Single) : 13.7x8.0x6.7mm
0.54x0.31x0.26 inches

Case Size (Dual) : 16.24x8.0x6.7 mm
0.64x0.31x0.26 inches

Case Material : Non-Conductive Black Plastic

Weight : 1.7g (Single Output)
2.0g (Dual Output)

Flammability : UL94V-0