

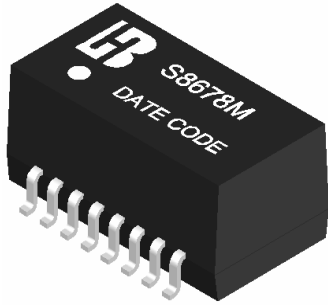


S8678M

### T1/E1/CEPT/ISDN-PRI TRANSFORMER

### P/N:S8678M DATA SHEET

#### Feature



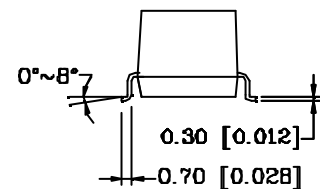
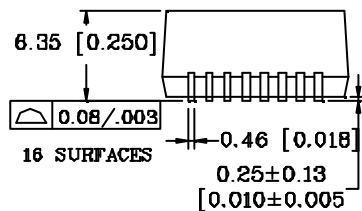
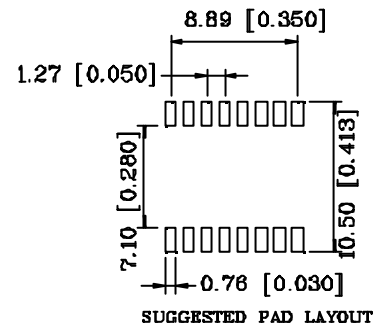
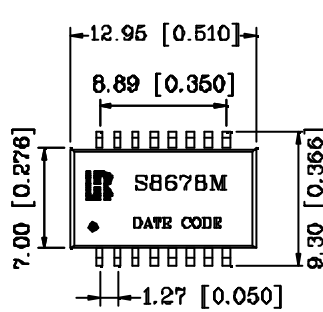
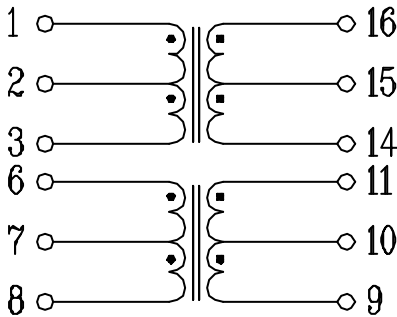
- Dual SMT package contains both transmit and receive transformers.
- Models matched to leading transceiver ICs.
- At-40°C, OCL is 600uH minimum. All other parameters are specified at +25°C.
- Operation temperature range: -40°C to +85°C.
- Storage temperature range: -40 to +125 .

| Electrical Specifications @ 25°C |                   |               |                  |             |                           |
|----------------------------------|-------------------|---------------|------------------|-------------|---------------------------|
| Part Number                      | Turns Ratio (±5%) |               | PRI OCL (mH Min) | LL (uH Max) | C <sub>www</sub> (pF Max) |
|                                  | (16-14): (1-3)    | (6-8): (11-9) |                  |             |                           |
| S8678M                           | 1CT:1CT           | 1CT:2CT       | 1.2              | 0.6         | 30                        |

| Continue    |                |                |               |
|-------------|----------------|----------------|---------------|
| Part Number | PRI DCR ( max) | Primary pins   | HI-POT (Vrms) |
| S8678M      | 0.7            | (16-14), (6-8) | 1500          |

#### Schematic

#### Mechanical



Units: mm[Inches] Tolerances: xx.x0±0.25[0.010]  
0.xx±0.05[0.002]