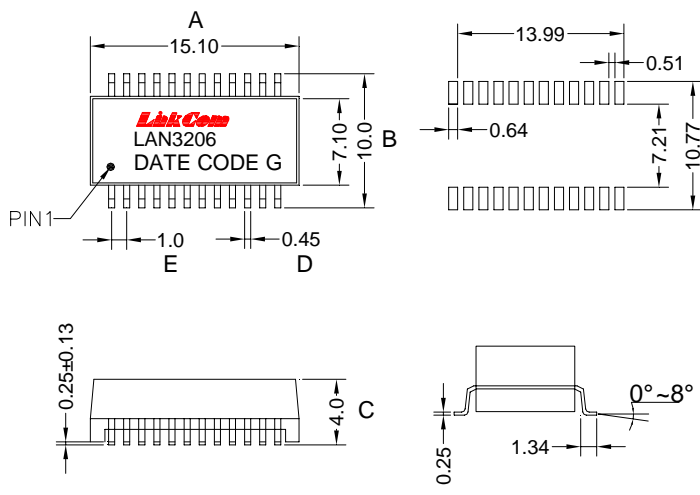


10/100BASE-Tx Magnetics Module

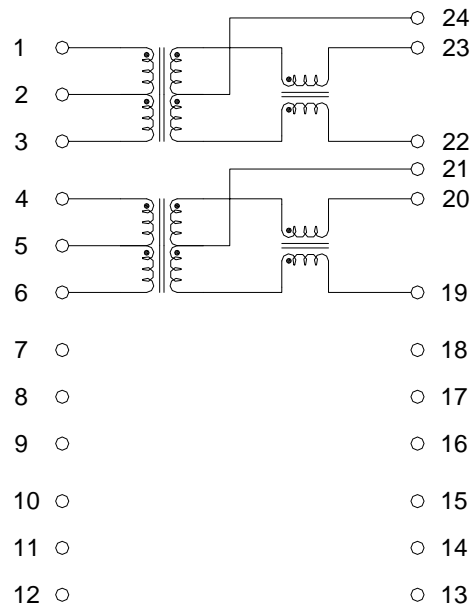
- Meets IEEE 802.3 standard
- RoHS Compliant
- Single port configuration
- Operating Temperature: 0 ~70

| Electrical Specification @25 | | | | | |
|------------------------------|--|------------|--------------|------------|------------|
| OCL: | 350uH Min. @100KHz/0.1V with 8mA DC Bias | | | | |
| Hi-POT : | 1500Vrms. | | | | |
| Turn Ratio: | 1CT:1CT±3% | | | | |
| D.C.R: | 2.0ohm Max. | | | | |
| Insertion Loss: | 1-100MHz -1.15dB Max. | | | | |
| Return Loss: | 30MHz | 40 MHz | 50 MHz | 60MHz | 80MHz |
| | -16dB Min. | -14dB Min. | -13.5dB Min. | -13dB Min. | -12dB Min. |
| D.C.M.R : | 30MHz | | 60MHz | | 100MHz |
| | -40dB Min. | | -30dB Min. | | -25dB Min. |
| Cross Talk : | 0.3-60MHz | | | 60-100MHz | |
| | -45dB Min. | | | -35dB Min. | |

Dimensions



Schematic



Units: mm

Unless otherwise specified, all tolerances are ±0.25