

# SPECIFICATION FOR APPROVAL

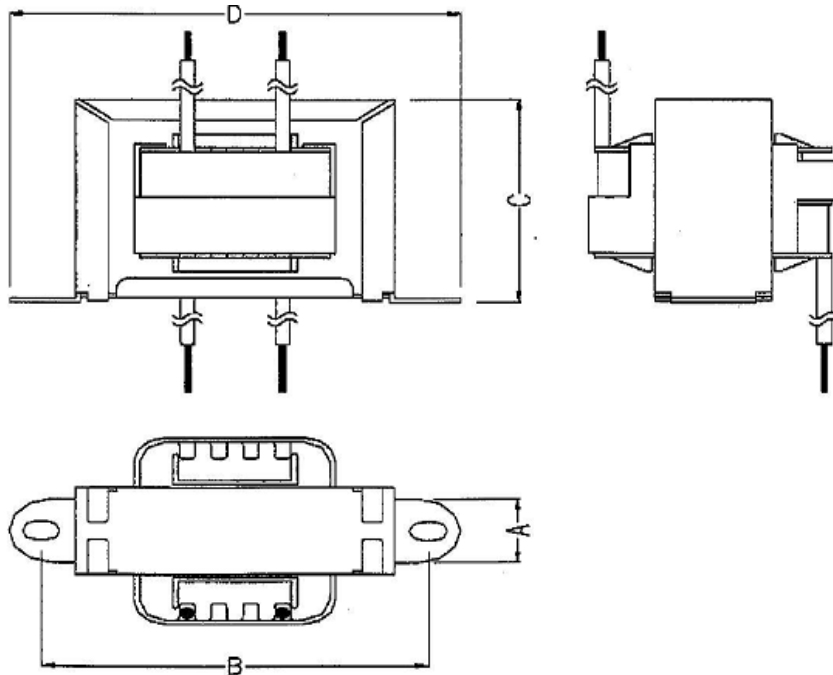
|                     |   |        |   |
|---------------------|---|--------|---|
| Product Name        | Power Transformers - Bracket TUV Type (Lead Free) | Page   | 1 |
| Superworld Part No: | SP-XXE (F) Series                                 | Rev No | 0 |

**Features**

1. Core sizes from EI-35 to 66
2. Hi-pot 4KV
3. Only raw materials that are listed by IEC-65, BS-415, SEMKO, TUV European safety standards are used.
4. Impregnated / Varnished
5. Single or dual primaries designed.
6. All types of bobbins are available.
7. Customer variations and specifications are welcome.

| Model  | Output | Appearance Dimensions ( Unit : mm ) |      |      |      |
|--------|--------|-------------------------------------|------|------|------|
|        | Rating | A                                   | B    | C    | D    |
| SP-35E | 2VA    | 16.5                                | 44.5 | 33.0 | 53.0 |
| SP-41E | 5.5VA  | 23.0                                | 51.0 | 37.0 | 61.0 |
| SP-48E | 8.5VA  | 23.0                                | 61.0 | 44.0 | 67.0 |
| SP-57E | 13VA   | 28.0                                | 71.5 | 51.0 | 80.0 |
| SP-66E | 25VA   | 28.0                                | 80.0 | 58.0 | 90.0 |

**Mechanical Drawing**



**RoHS Compliant**

