



## 120 Watt Universal 3-Wire Input Adapter PSA120U Adapter Series meets EISA and CEC Requirements



### Features

- EISA compliant\*
- Class B EMI
- Non-vented/Spill-proof Case

### Applications

- Networking
- Peripherals
- Industrial
- Test and Measurement

### Safety Approvals

- cUL/UL60950-1
- CE
- TUV EN60950-1

### Mechanical Characteristics

- Length: 174mm (6.85in)
- Width: 77mm (3.03in)
- Height: 43mm (1.69in)
- Weight: 800g (28.22oz.)

### Output Specifications

Model	DC Output Voltage	Load		Ripple (1) P-P (max.)	Regulation		Efficiency Level
		Min. (2)	Max.		Line	Load	
PSA120U-120	+12V	0A	10A	150mV	±5%		IV 115VAC III
PSA120U-240	+24V	0A	5.0A	300mV	±5%		IV 115VAC III
PSA120U-480	+48V	0A	2.5A	480mV	±5%		IV 115VAC III

\*The PSA120U series is EISA Level IV<sub>115VAC</sub> Compliant and MEPS Level III Compliant.

- (1) Measured with using 12-inch twisted pair terminated with a 10uF capacitor and 0.1uF ceramic in parallel.  
 (2) Dynamic load from 0.1A to full load.

Phihong reserves the right to make changes without further notice. Please consult Phihong USA and visit [www.phihong.com](http://www.phihong.com) for the most up-to-date specifications.

**INPUT:****AC Input Voltage Rating**

100 to 240VAC

**AC Input Voltage Range**

90 to 264VAC

**AC Input Frequency**

47 to 63Hz

**Input Current**

2.5A (rms) Max. @ 115VAC

1.5A (rms) Max. @ 230VAC

**Leakage Current**

3.5mA Max. @ 254VAC 50Hz.

**Inrush Current (cold start @25°C Ambient)**

Less than 65A at 120VAC

Less than 130A at 240VAC

**No Load Power Saving**

< 0.50W for 115VAC

< 0.75W for 230VAC

**OUTPUT:****Efficiency**

85% minimum average efficiency

**Hold-up Time**

10mS min. at 120VAC and max. load

**Over-Voltage Protection**

The output is protected from over voltage fault at all conditions including open-loop

**Over-Power Protection**

Auto restart

**Short Circuit Protection**

The output will withstand a short circuit across the outputs with auto-restart function. Output can be shorted without damage.

**ENVIRONMENTAL:****Temperature**

Operation 0 to +40°C

Storage -20 to +70°C

**Relative Humidity (Non-condensing)**

Operation 20 to 80%

Storage 10 to 90%

**Emissions**

FCC Class B

EN55022 Class B

**Harmonics and Flicker**

IEC61000-3-2 Class D

IEC61000-3-3

**Power Factor Correction**

≥ 0.95 at 100VAC full load

≥ 0.90 at 240VAC full load

**Immunity**

EN61000-4-2

EN61000-4-3

EN61000-4-4

EN61000-4-5

EN61000-4-6

EN61000-4-11

**Dielectric Withstand (Hi-pot) Test**

Primary to Secondary: 3000VAC for 1 minute, 10mA

**DC Output Connector**

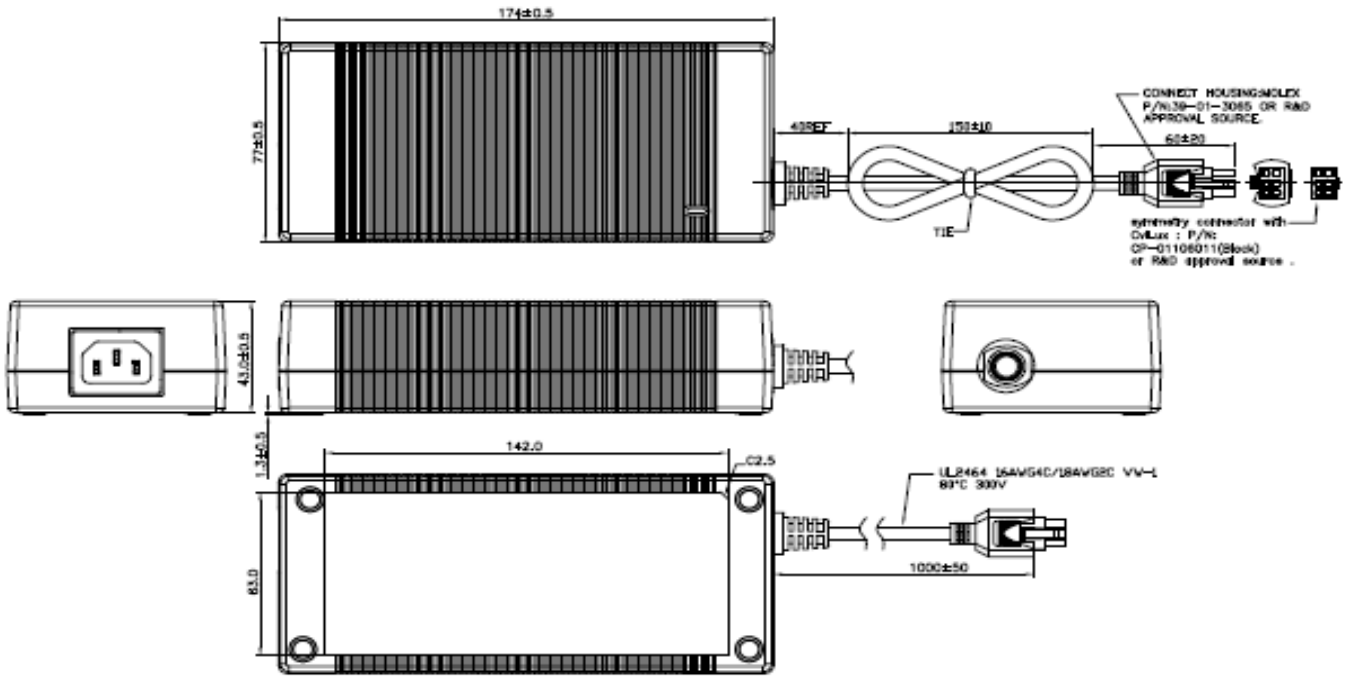
PSA120U-120-R: Molex PN: 39-01-3065

PSA120U-240-R & PSA120U-480-R:

2.5mm x 5.5mm Center Positive barrel connector

**Dimension Diagram Unit: mm**

PSA120U-120-R



PSA120U-240-R & PSA120U-480-R

