





## PO078-12D-4B-2

## PO078-24D-4B-2

### Features

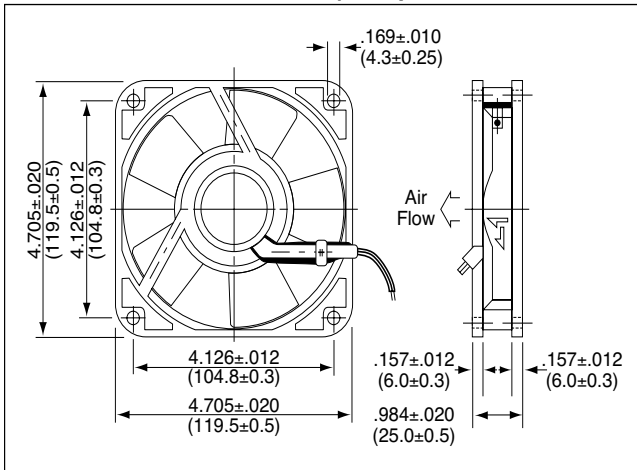
Size:	120 x 120 x 25 mm (4.7" x 4.7" x 1.0")
Airflow:	78 CFM
Lead Wire:	AWG24 (UL1007)
Impeller:	Reinforced Plastic (UL94V-0)
Frame:	Reinforced Plastic (UL94V-0)
Bearings:	Sealed Ball

 UL E101153

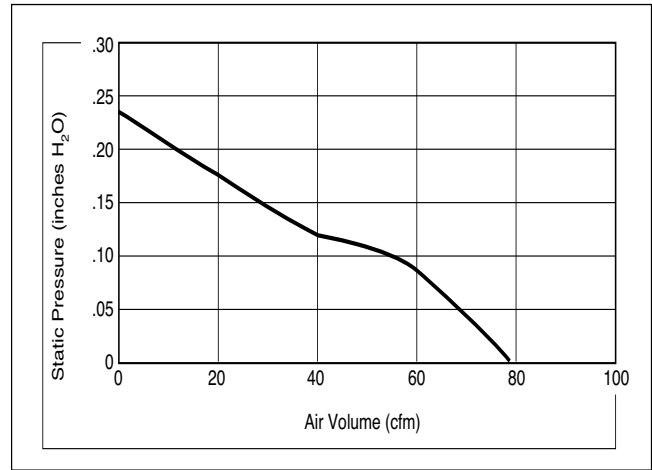
 CSA LR74525

• RoHS Compliant

### Dimensions – inches (mm)



### Air Flow vs Air Pressure – PO078



### Performance

Type	Rated Voltage (V)	Rated Current (A)		Max Air Flow (CFM)	Max Air Pressure (In H <sub>2</sub> O)	Noise* (dBA)	Operating Voltage (V)	Operating Temperature (°C)	Life Expectancy (Hr)
		Locked	Moved						
PO078-12D-4B-2	12	0.800	0.370	78	.24	42	8~15	-20 ~ +60	50,000
PO078-24D-4B-2	24	0.460	0.230	78	.24	42	16~30	-20 ~ +60	50,000

\*Measured 1 m from intake

Product specifications contained herein may be changed without prior notice.  
It is therefore advisable to contact Purdy Electronics before proceeding with the design of equipment incorporating this product.