

Ceramic Filters for Radio Cassette Recorder

Ceramic Filters for Radio Cassette Recorder (LTA)

▶ Preview

ceramic filters for radio-cassette recorder LTA series are designed to address the needs of standard radio cassette recorder requirements.

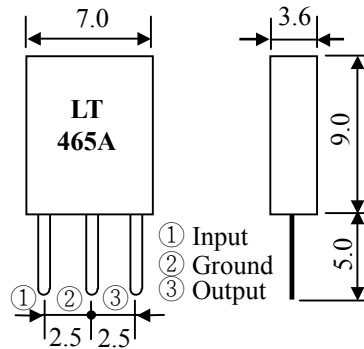
Recommend for use in low cost products where economically, efficient designs are critical. The nominal frequency tolerance is $\pm 2\text{KHz}$.

Token LTA series ceramic filters conform to the RoHS directive.

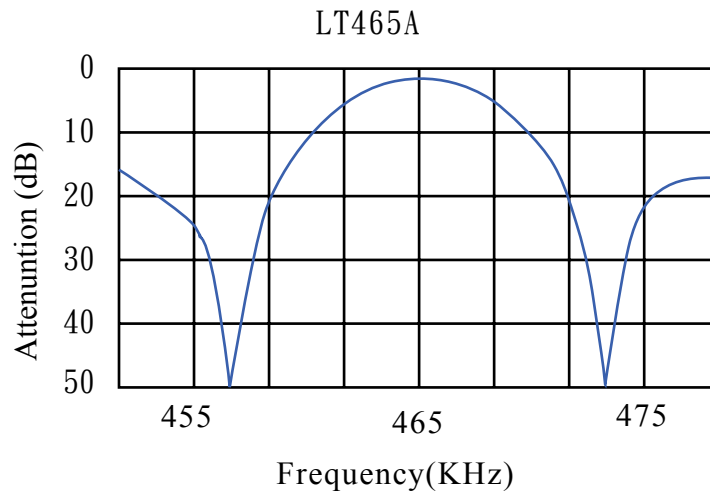
Ceramic filters for radio cassette recorder LT series can be customized designs and tighter tolerances available on request.

Application of ceramic filters specific designs also available including different piezo band-pass devices and Q specifications adjusted to frequency requirements.

Dimensions



Technical Characteristics

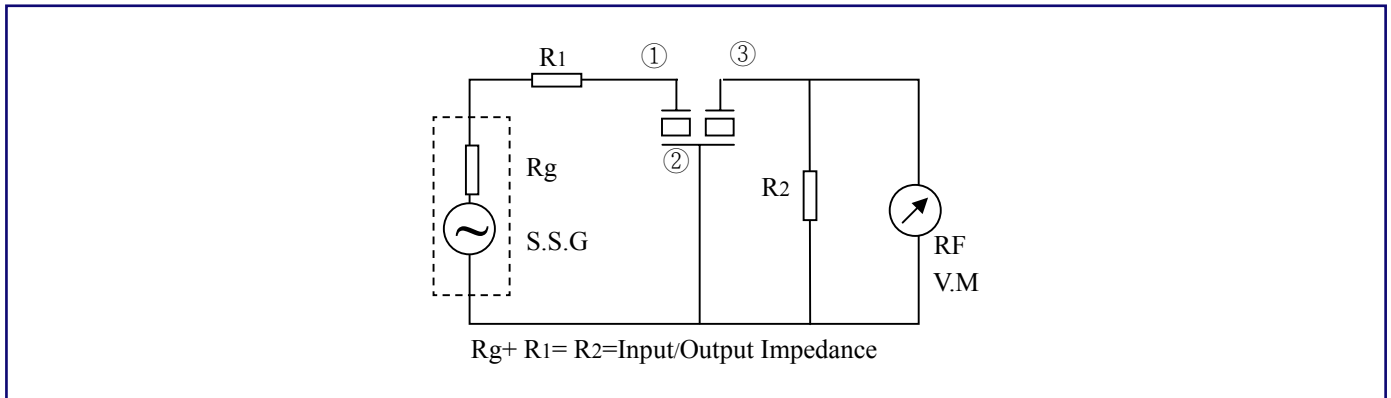


Part Number	Center Frequency (fo)(kHz)	Insertion Loss (dB)max	6dB Band Width (kHz)min	Spurious Attenuation (fo±100kHz)(dB)min	Selectivity ±9kHz off (dB)min	Pass Band Ripple (dB)max	Input/Output Impedance (Ω)
LT450A	450±2	3	8	12	11	1	2
LT455A	455±2	3	8	12	11	1	2
LT465A	465±2	3	8	12	11	1	2

Note: Center Frequency (fo) is available in a range of 450 ~ 470kHz.

The nominal frequency tolerance is ± 2kHz.

▶ Test Circuit



▶ How to Order

LT455A

❶

P

❷

❶ Part Number

❷ Package

Back to 1st Page - Ceramic Filters for Radio Cassette Recorder - LT465A