

DC-AC INVERTER UNIT

CXA-L0605-VJL (4.0W SINGLE OUTPUT WITH DIMMING FUNCTION)

(PRELIMINARY, STANDARD)

DESCRIPTION :

This DC to AC Inverter was developed for notebook computer and many other low LCD Backlight power supply as low profile applications, either for Note Book PC or Industrial.

APPLICABLE LCD:

- 10 to 12 inches single lamp type
- Lamp Voltage 600V
- Lamp Current 6mA



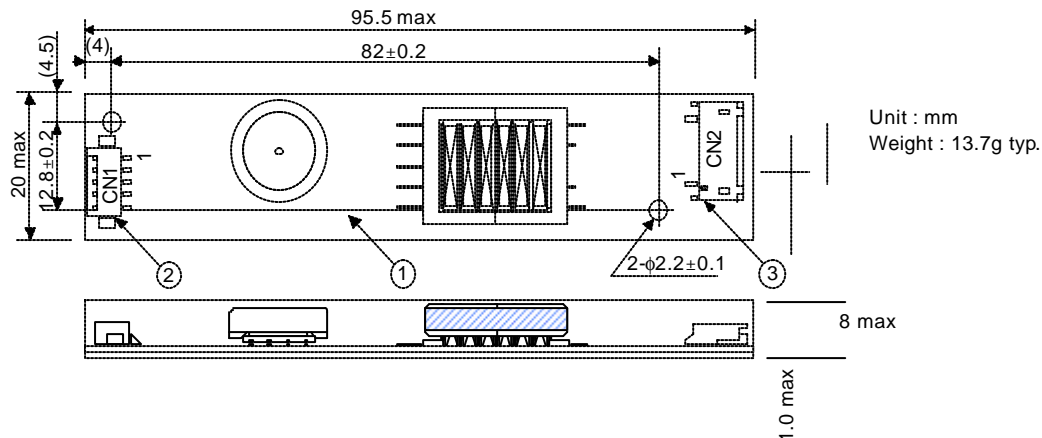
FEATURES :

- Current Feedback Circuit
- High Efficiency
- Low noise with voltage resonant circuit
- Regulated output current

TEMPERATURE & HUMDITY :

- Operating Temperature Range 0 °C ~ +60°C
- Storage Temperature Range -30 °C ~ +85°C
- Humidity 95 %RH max

DIMENSIONS :

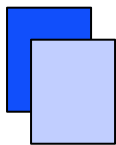


No.	Part Discription	Qty.	Material	Note
1	PCB	1	UL94V-0 (CEM-3)	t=1.0mm
2	Connector CN1	1	53261-0590	Molex
3	Connector CN2	1	SM02(8.0)B-BHS-1	JST

Power Systems – The Power Solution

Web: www.Power-Systems.de
 Email: Info@Power-Systems.de

Address: Dörnet 8 ; 74360 Ilsfeld-Auenstein / Germany
 Tel. : + 49 / 70 62 / 67 59 - 6
 Fax: + 49 / 70 62 / 67 59 - 80



DC-AC INVERTER UNIT

CXA-L0605-VJL (4.0W SINGLE OUTPUT WITH DIMMING FUNCTION)

(PRELIMINARY, STANDARD)

Input Side CN1

Pin No.	Symbols	Ratings
CN 1-1	Vin	4.75~5.25V
CN 1-2	GND	0V
CN 1-3	Vrmt	2.5~Vin (Active High) / 0~0.5V
CN 1-4	Vbr	0~3V
CN 1-5	N.C.	-

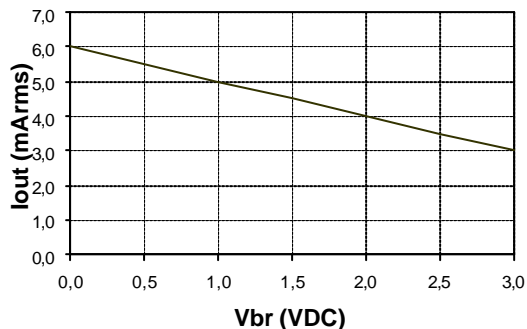
Output Side CN2

Pin No.	Symbols	Ratings
CN 2-1	VHIGH	600Vrms
CN 2-2	N.C.	-
CN 2-3	VLOW	(2V)

ELECTRICAL CHARACTERISTICS:

Items	Symbols	Conditions				Specification			Unit
		Vin [V]	Vbr [V]	Ta [°C]	RL [KW]	Min.	Typ.	Max.	
Output Current	lout1	4.75~5.25	0	18~28	80	5.4	6	6.6	mArms
	lout2			0~60	70~90	5.3	6	6.7	
	lout3			18~28	226	2.4	3	3.6	
Input Current	lin	5	0	0~60	70~90	-	800	1000	mA DC
Frequency	F	4.75~5.25	0	0~60	70~90	35	45	55	kHz
Open Circuit Voltage	Vopen	4.75~5.25	0~3	0~60	∞	1500	1600	-	Vrms

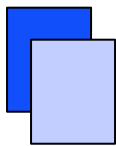
DIMMING CHARACTERISTICS (Reference):



Power Systems – The Power Solution

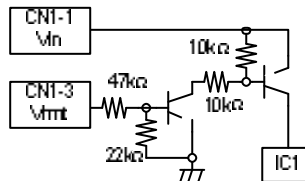
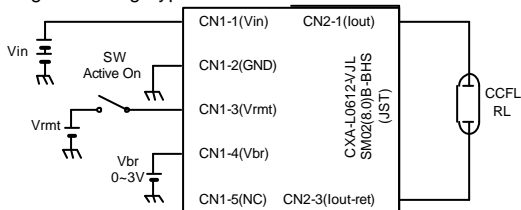
Web: www.Power-Systems.de
 Email: Info@Power-Systems.de

Address: Dörnet 8 ; 74360 Ilsfeld-Auenstein / Germany
 Tel. : + 49 / 70 62 / 67 59 - 6
 Fax: + 49 / 70 62 / 67 59 - 80

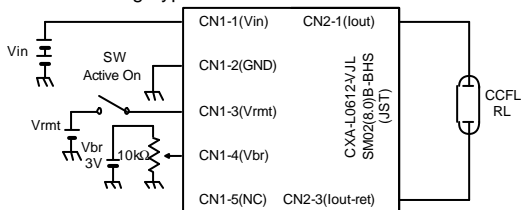


APPLICATION (for example):

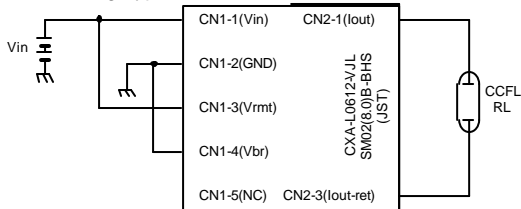
Voltage Dimming Type



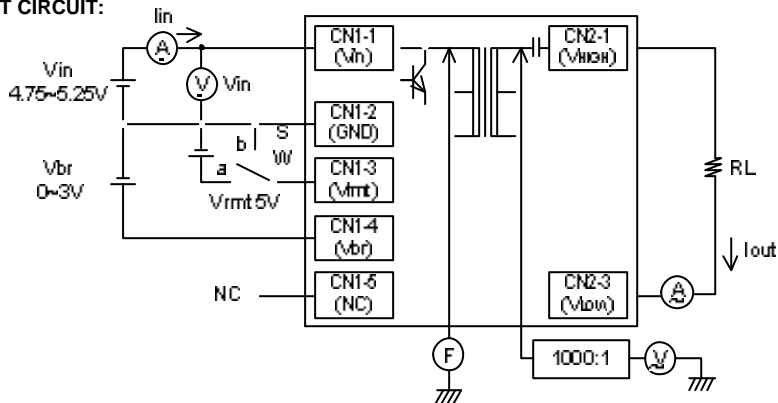
Resistor Dimming Type



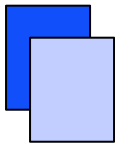
None Dimming Type



TEST CIRCUIT:



Power Systems – The Power Solution



- Note 1. For circuit connection, please refer to test circuit diagram.
- Note 2. Please use minimum of 2mm clearance (all directions) between inverter high voltage area and any conductors. Please refer to mechanical drawing for marking of high voltage area.
- Note 3. Open voltage (strike voltage) is measured across the transformer secondary winding at no load as the reading at the output connector would be less than the actual value.
- Note 4. If the start up voltage falls below Cold Cathode Tube strike voltage, the CCFL will not light up easily specially at lower ambient temperature. Please review mounting instruction to avoid any abnormal operation due to coupling/leakage capacitance of inverter high voltage area to any surrounding conductor.
- Note 5. Please check your lamp characteristic for minimum operational current and set the limit point in your design to avoid flickering and/or abnormal operation.
- Note 6. For proper operation of circuit protection (FUSE or IC PROTECTOR), please use minimum of 2A capacity for input power supply.

Power Systems – The Power Solution

Web: www.Power-Systems.de
Email: Info@Power-Systems.de

Address: Dörnet 8 ; 74360 Ilsfeld-Auenstein / Germany
Tel. : + 49 / 70 62 / 67 59 - 6
Fax: + 49 / 70 62 / 67 59 - 80