

C-13-1315T-01-XX

**Features**

- Laser diode with multi-quantum-well structure
- Un-cooled operation at -40~+85°C
- For Singlemode Application
- High Optical Power
- High Speed
- 8 Pin Package with ST Port
- Design for fiber optic networks
- RoHS Compliant available

Absolute Maximum Ratings (Tc=25°C)

Parameter	Symbol	Rating	Unit
Operating Current	I_{op}	100	mA
LD Reverse Voltage	V_{RLD}	2	V
Operating Temperature	T_{opr}	-40 ~ 85	°C
Storage Temperature	T_{stg}	-40 ~ 85	°C

(All optical data refer to a coupled 9/125µm S/M fiber)

Optical and Electrical Characteristics (Tc=25°C)

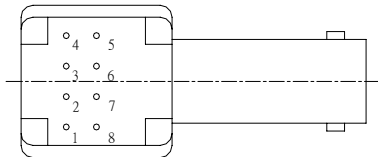
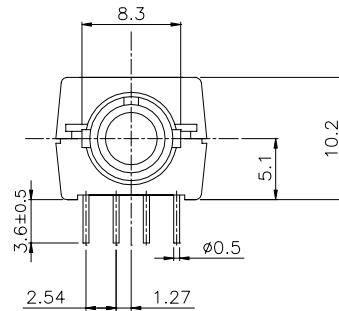
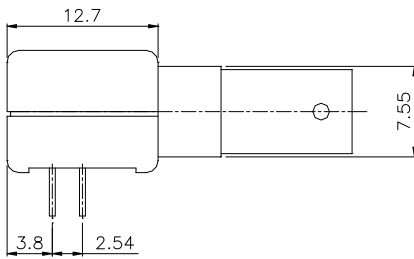
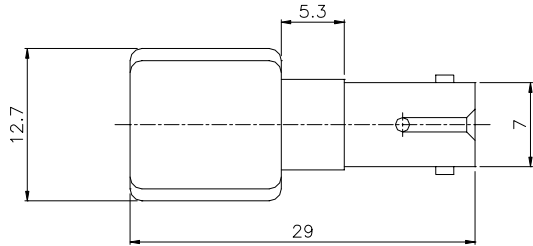
Parameter	Symbol	Min	Typ	Max	Unit	Test Conditions
Threshold Current	I_{th}	-	12	20	mA	CW
Fiber Output Power	P_f	120	-	220	µW	CW, $I_{op}=40mA$
Peak Wavelength	λ	1290	1310	1330	nm	CW, $P_f = P_f$ (Min)
Spectral Width (RMS)	$\Delta\lambda$	-	2	5	nm	CW, $P_f = P_f$ (Min)
Forward Voltage	V_f	-	1.2	1.6	V	CW, $P_f = P_f$ (Min)
Rise/Fall Time	t_r/t_f	-	-	0.5	ns	$I_{bias} = I_{th}$, 10~90%

Note: 1.ESD precautions must be taken when handling this product.

2.Specifications subject to change with notice.

3.Pin assignment can be custom specified.

C-13-1315T-01-XX



Pinout Assignment

PIN	FUNCTION
1	N.C.
2	N.C.
3	LD-
4	N.C.
5	N.C.
6	LD+
7	N.C.
8	N.C.

C-13-1315T-01-XX

Ordering Information

C-13-1315T-01-XX

RoHS Compliant 

-/G5/GR

Blank = RoHS non-compliant product

G5 = RoHS 5/6-compliant product (lead exemption)

GR = Full RoHS compliant product (no exemption)

Warnings

Handling Precautions: This device is susceptible to damage as a result of electrostatic discharge (ESD). A static free environment is highly recommended. Follow guidelines according to proper ESD procedures.

Laser Safety: Radiation emitted by laser devices can be dangerous to human eyes. Avoid eye exposure to direct or indirect radiation.

Legal Notice

IMPORTANT NOTICE!

All information contained in this document is subject to change without notice, at Luminent's sole and absolute discretion. Luminent warrants performance of its products to current specifications only in accordance with the company's standard one-year warranty; however, specifications designated as "preliminary" are given to describe components only, and Luminent expressly disclaims any and all warranties for said products, including express, implied, and statutory warranties, warranties of merchantability, fitness for a particular purpose, and non-infringement of proprietary rights. Please refer to the company's Terms and Conditions of Sale for further warranty information.

Luminent assumes no liability for applications assistance, customer product design, software performance, or infringement of patents, services, or intellectual property described herein. No license, either express or implied, is granted under any patent right, copyright, or intellectual property right, and Luminent makes no representations or warranties that the product(s) described herein are free from patent, copyright, or intellectual property rights. Products described in this document are NOT intended for use in implantation or other life support applications where malfunction may result in injury or death to persons. Luminent customers using or selling products for use in such applications do so at their own risk and agree to fully defend and indemnify Luminent for any damages resulting from such use or sale.

THE INFORMATION CONTAINED IN THIS DOCUMENT IS PROVIDED ON AN "AS IS" BASIS. Customer agrees that Luminent is not liable for any actual, consequential, exemplary, or other damages arising directly or indirectly from any use of the information contained in this document. Customer must contact Luminent to obtain the latest version of this publication to verify, before placing any order, that the information contained herein is current.

© Luminent, Inc. 2005
All rights reserved