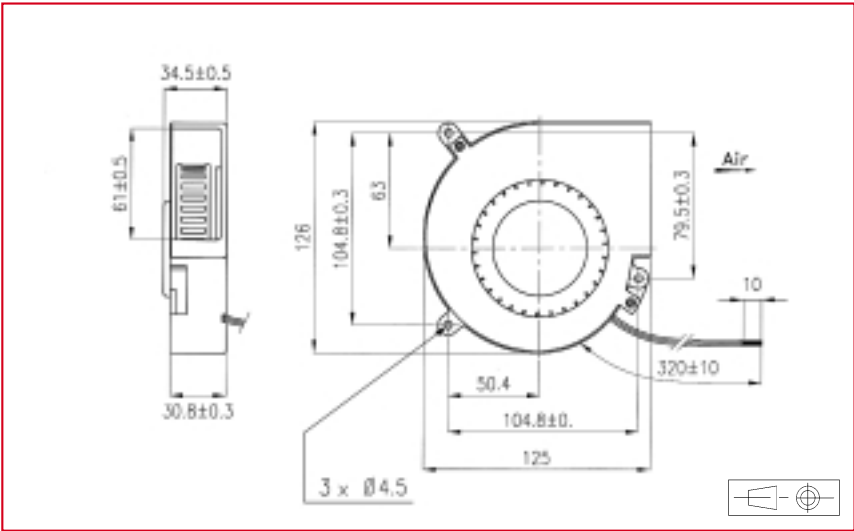




## 126 x 125 x 34,5 mm



**Approvals**



**Life expectancy**

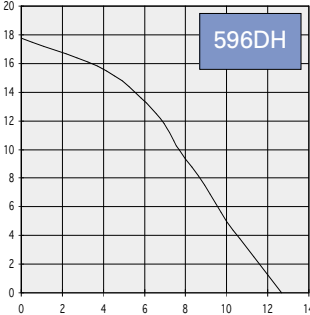
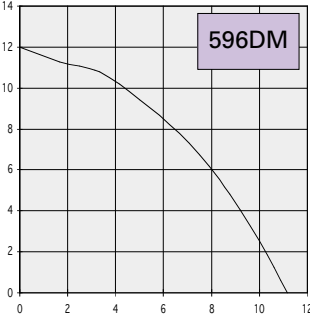
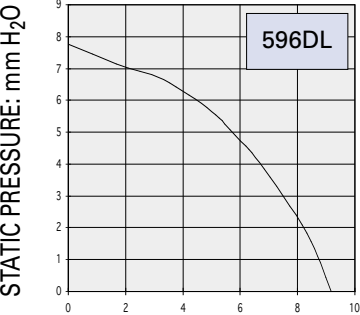
L-10 LIFE AT 40°C:  
25 000 hours

**Brushless DC Motor**

Electrical protection: impedance protected  
Housing and Impeller material: plastic UL 94 VO  
Weight: 325 g  
Autorestart + polarity inversion

**Available with:**

- speed sensor
- open collector alarm



AIRFLOW: l/s

Part number	Nominal voltage	Airflow	Noise level	Nominal speed	Input power	Voltage range	Bearing system		Connection type		Operating temperature	
	V	l/s	dB(A)	RPM	W	V	Ball	Sleeve	Leads	Terminals	Min. °C	Max. °C
596DL1LP11000	12	9,2	42,5	1700	2,88	(7-13,8)	X		X		- 10	60
596DL2LP11000	24	9,2	42,5	1700	3,12	(14-28)	X		X		- 10	60
596DL4LP11000	48	9,2	42,5	1700	3,84	(38-56)	X		X		- 10	60
596DM1LP11000	12	11,2	46	2000	5,0	(7-13,8)	X		X		- 10	60
596DM2LP11000	24	11,2	46	2000	5,52	(14-28)	X		X		- 10	60
596DM4LP11000	48	11,2	46	2000	5,76	(38-56)	X		X		- 10	60
596DH1LP11000	12	12,8	51,5	2300	8,16	(7-13,8)	X		X		- 10	60
596DH2LP11000	24	12,8	51,5	2300	8,16	(14-28)	X		X		- 10	60

**Accessories:**  
See page: 162