

# Coupled Inductor

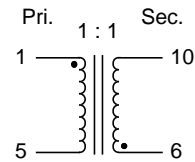
## EPB5175G

- For use in POTS Filters •
- Inductance is stable within  $\pm 15\%$  with DC current •  
from 0 to 120 mA
- Isolation : 1500Vrms •

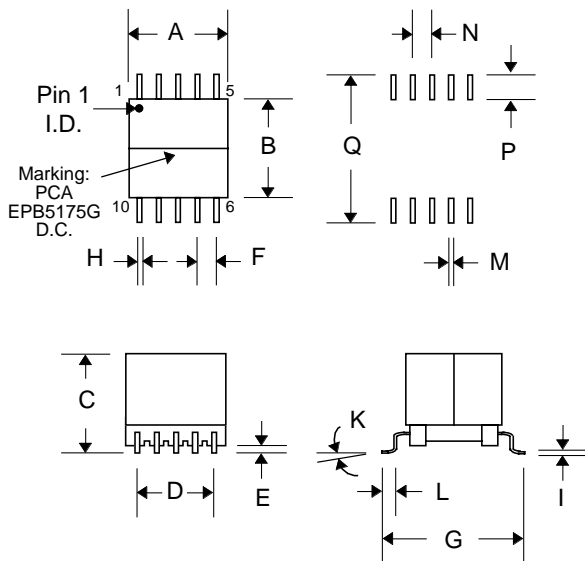
### Electrical Parameters @ 25° C

OCL (mH $\pm 5\%$ ) @ 50 KHz, 0.1 Vrms	Self Resonant (KHz Min.)	Q (Min.) @ 50 KHz	DCR ( $\Omega$ Max.)
1.0	850	200	0.650
Pins 1-5			Pins 1-5 & Pins 6-10

### Schematic



### Package



### Dimensions

Dim.	(Inches)			(Millimeters)		
	Min.	Max.	Nom.	Min.	Max.	Nom.
A	.490	.530	.512	12.45	13.46	13.00
B	.506	.516	.510	12.85	13.11	12.95
C	.460	.480	.470	11.68	12.19	11.94
D	.395	.405	.400	10.03	10.29	10.16
E	.005	.015	.010	.127	.381	.254
F	.095	.105	.100	2.41	2.67	2.54
G	.665	.675	.670	16.89	17.15	17.02
H	.026	.030	.028	.660	.762	.711
I	.010	.014	.012	.254	.356	.305
K	0°	8°	---	0°	8°	---
L	.029	.049	.039	.737	1.25	.991
M	---	---	.051	---	---	1.29
N	---	---	.098	---	---	.249
P	---	---	.100	---	---	2.54
Q	---	---	.700	---	---	17.78