



# 227-039 and 227-040 Bulkhead Feed-Through Connector Assemblies

**227-039-10-2 P N P N 03 D**

Basic Part Number \_\_\_\_\_  
 227-039 = Standard Shell  
 (mates with 220-06 plug)  
 227-040 = Scoop Proof Shell  
 (mates with 220-16 plug)

Shell Size \_\_\_\_\_

Insert Arrangement Dash No. (See Page 7)  
 (Note: For Pin/Pin or Socket/Socket, the  
 Insert Arrangement Must Be Symmetrical.)

Side A Configuration: P = Pin, S = Socket,  
 H = Hermetic Pin

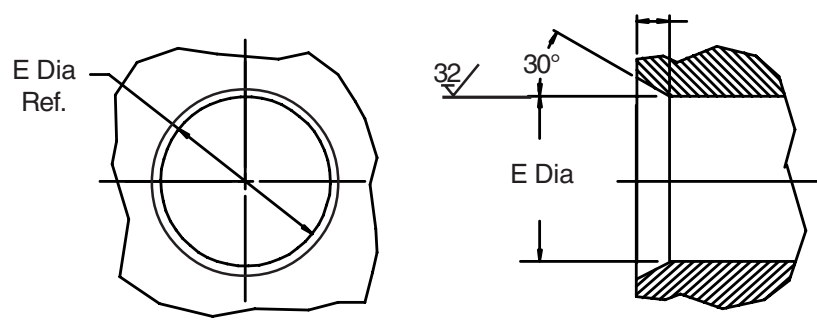
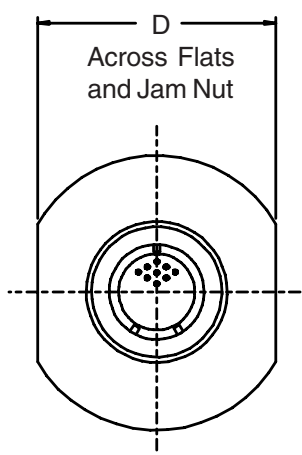
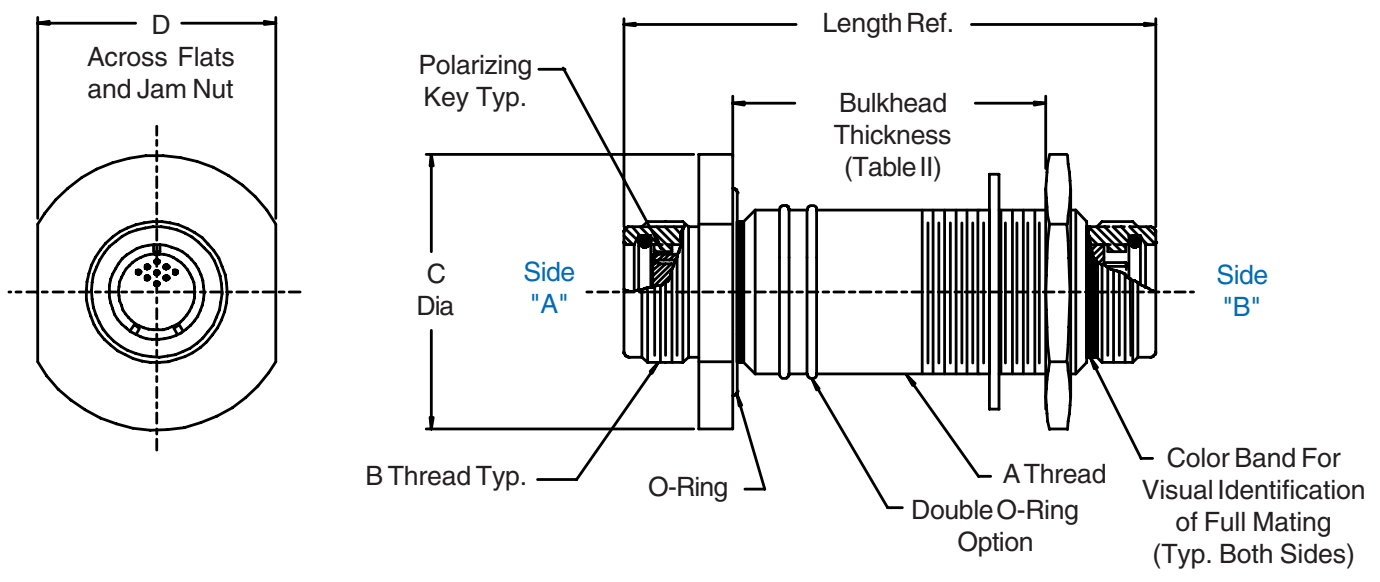
Double O-Ring Option (Omit For None)

Bulkhead Thickness Dash No. (Table II)

Side B Alternate Insert Position - N, 1, 2, 3  
 or 4 (See Page 6)

Side B Configuration: P = Pin, S = Socket

Side A Alternate Insert Position - N, 1, 2, 3,  
 or 4 (See Page 6)



**Recommended Panel Cutout**

**227-039 and 227-040  
Bulkhead Feed-Through  
Connector Assemblies**



**TABLE I**

Shell Size	A Thread Class 2A	B Thread Class 2A	C Dia	D Flat	E Dia *
10	7/8 - 20 UNEF	.750 - .1P - .1L	1.41 (35.8)	1.250 (31.8)	.875 (22.2)
12	1 - 20 UNEF	.875 - .1P - .1L	1.53 (38.9)	1.375 (34.9)	1.000 (25.4)
14	1 1/8 - 16 UN	1.000 - .1P - .1L	1.66 (42.2)	1.500 (38.1)	1.125 (28.6)
16	1 1/4 - 16 UN	1.125 - .1P - .1L	1.78 (45.2)	1.625 (41.3)	1.250 (31.8)
18	1 3/8 - 16 UN	1.250 - .1P - .1L	1.91 (48.5)	1.750 (44.5)	1.375 (34.9)
20	1 1/2 - 16 UN	1.375 - .1P - .1L	2.03 (51.6)	1.875 (47.6)	1.500 (38.1)
22	1 5/8 - 16 UN	1.500 - .1P - .1L	2.16 (54.9)	2.000 (50.8)	1.625 (41.3)
24	1 3/4 - 16 UN	1.625 - .1P - .1L	2.28 (57.9)	2.125 (54.0)	1.750 (44.5)

\* Standard Shell +.010 (.3) -.000 (.0)  
\* Scoop-Proof Shell +.002 (.3) -.000 (.0)

**TABLE II**

Dash No.	Panel Min	Panel Max	Length (Ref.)	
			Standard Shell	Scoop Proof Shell
01	.03 (.8)	1.00 (25.4)	2.30 (58.4)	2.30 (58.4)
02	1.00 (25.4)	2.00 (50.8)	3.30 (83.8)	3.30 (83.8)
03	2.00 (50.8)	3.00 (76.2)	4.30 (109.2)	4.30 (109.2)
04	3.00 (76.2)	4.00 (101.6)	5.30 (134.6)	5.30 (134.6)
05	4.00 (101.6)	5.00 (127.0)	6.30 (160.0)	6.30 (160.0)
06	5.00 (127.0)	6.00 (152.4)	7.30 (185.4)	7.30 (185.4)
07	6.00 (152.4)	7.00 (177.8)	8.30 (210.8)	8.30 (210.8)
08	7.00 (177.8)	8.00 (203.2)	9.30 (236.2)	9.30 (236.2)

1. Metric dimensions (mm) are indicated in parentheses.
2. Power to a given contact on one end will result in power to contact directly opposite, regardless of identification letter.