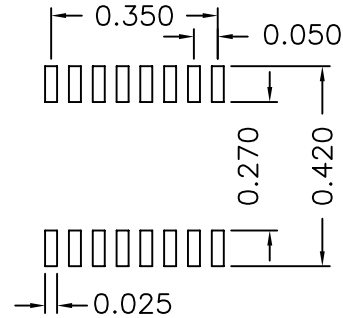
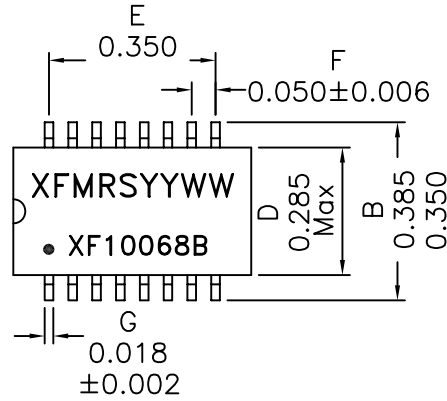
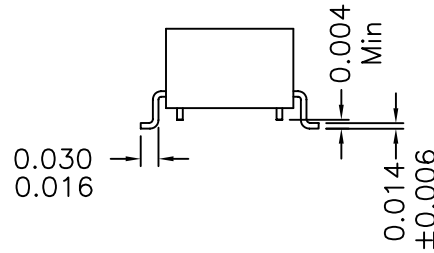
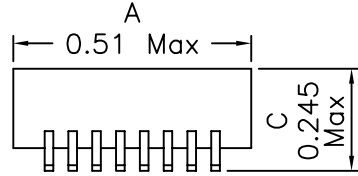
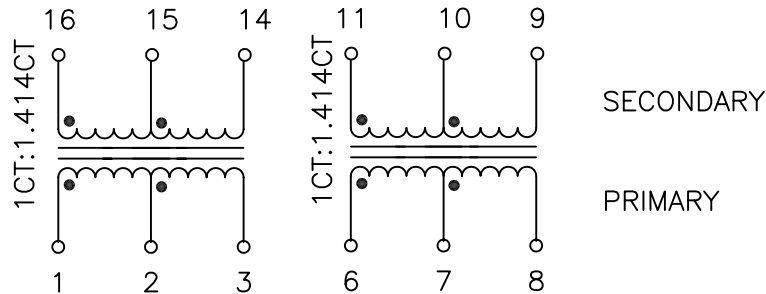


1. Dimensions:



SUGGESTED FOOTPRINT

2. Schematic:



DOC REV A/2

3. Electrical Specifications: @25°C

Isolation Voltage: 1500 Vrms for 60 Secs

Turns Ratio: P1-2-3:P16-15-14 1CT:1.414CT ±2%

Turns Ratio: P6-7-8:P11-10-9 1CT:1.414CT ±2%

PRI OCL: 100uH ±20% @100KHz 100mV

PRI/SEC Cw/w: 15pF Max. @100KHz 100mV

PRI LL: 0.50uH Max. @100KHz 100mV SEC Shorted

PRI/SEC DC Resistance: 0.40/0.40 Ohms Max.

Crosstalk: -45dB Min @1-100MHz

Return Loss: -14dB Min @1-30MHz

Return Loss: -12dB Min @30-60MHz

Notes:

1. Solderability: Leads shall meet MIL-STD-202G, Method 208H for solderability.
2. Flammability: UL94V-0
3. ASTM oxygen index: > 28%
4. Insulation System: Class F 155°C. UL file E151556
5. Operating Temperature Range: All listed parameters are to be within tolerance from -40°C to +85°C
6. Storage Temperature Range: -55°C to +125°C
7. Aqueous wash compatible
8. SMD Lead Coplanarity: ±0.004"(0.102mm)
9. Electrical and mechanical specifications 100% tested
10. RoHS Compliant Component

XFMRS Inc www.XFMRS.com		Title: 10 BASE ISOLATION MAGNETICS	
UNLESS OTHERWISE SPECIFIED		P/N: XF10068B	REV. A
TOLERANCES: .xxx ±0.010		DWN.	Xianyi Jun-02-09
Dimensions in Inch		CHK.	YK Liao Jun-02-09
SCALE 2.5:1 SHT 1 OF 1		APP.	BW Jun-02-09