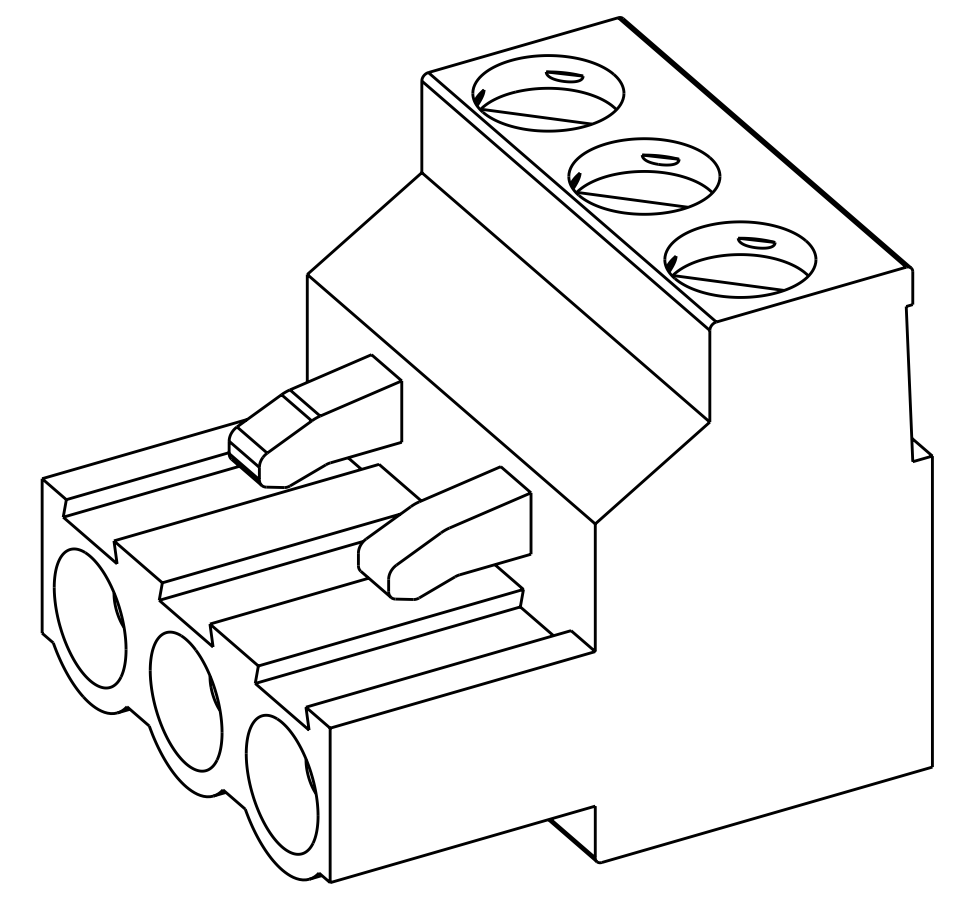
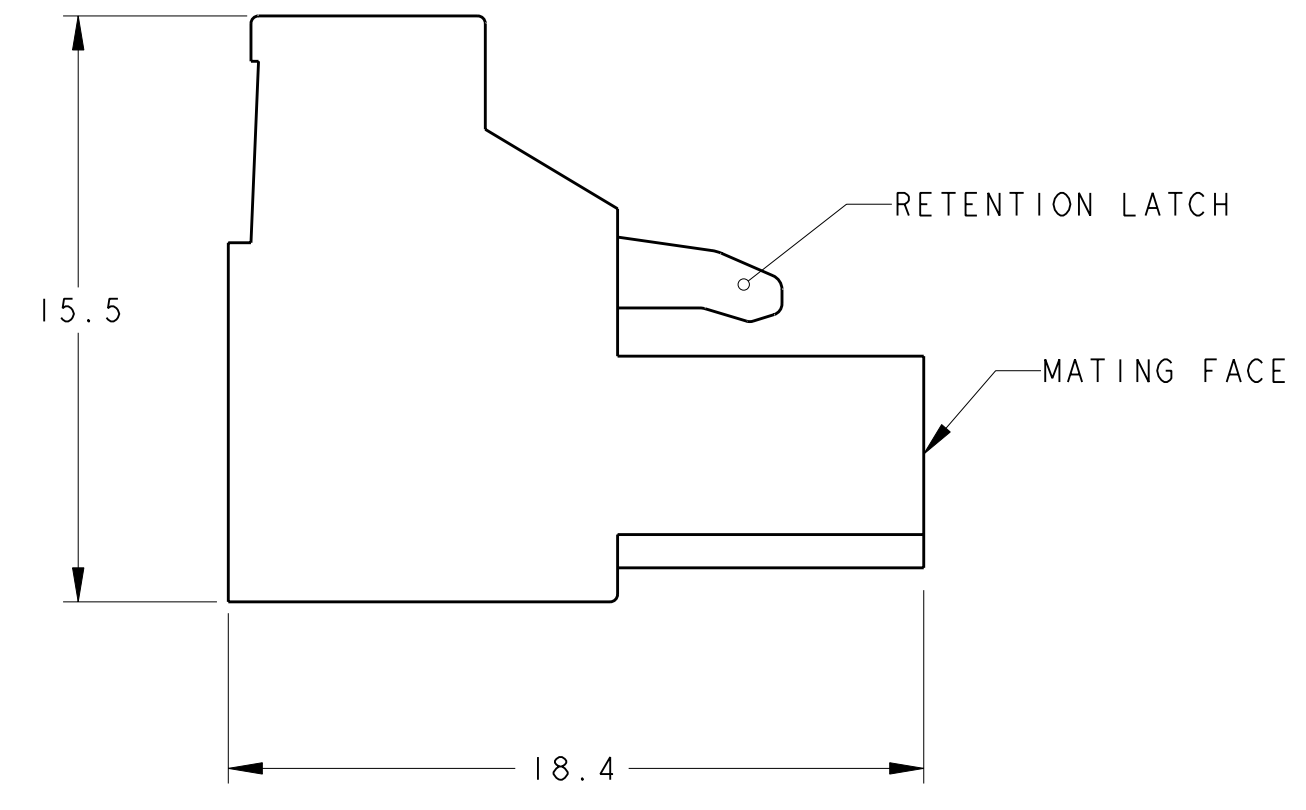
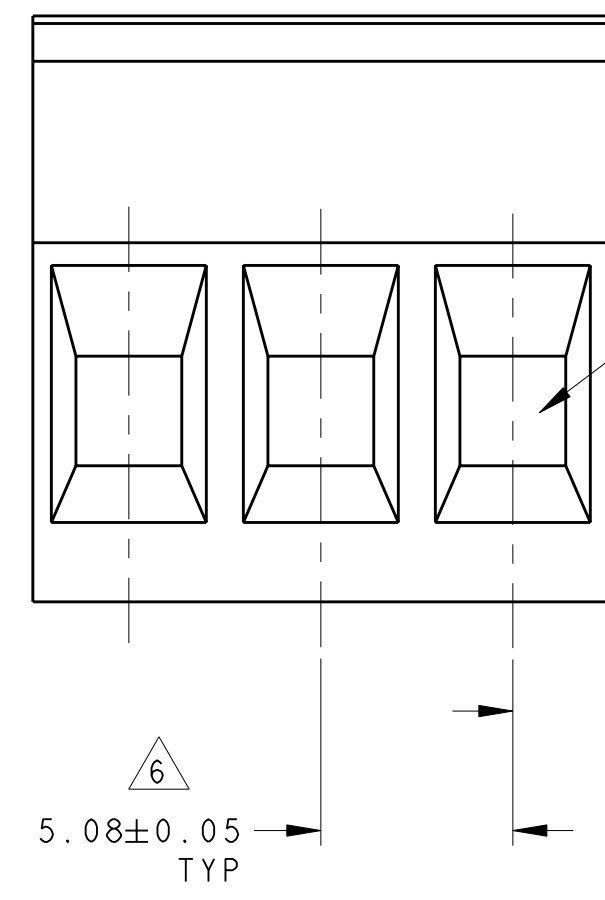


POLARIZATION KEY SLOT
 CLAMPING SCREW



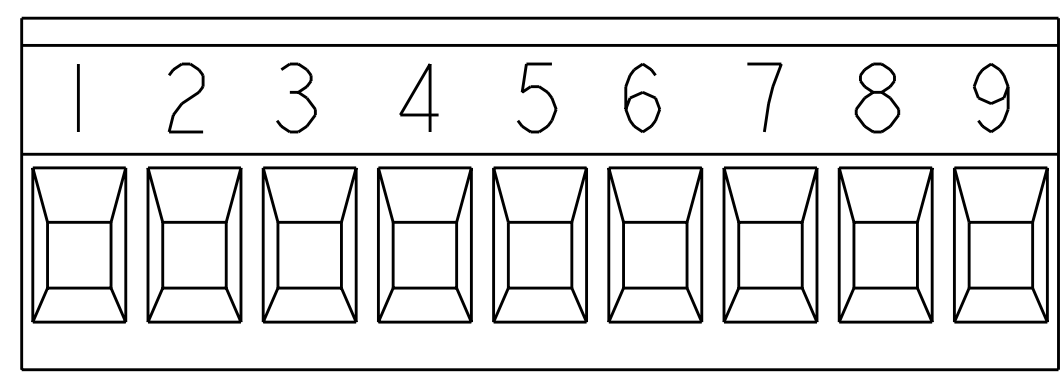
796634-3 AS SHOWN



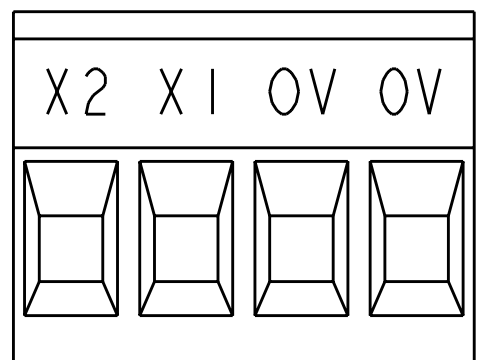
1. MATERIALS AND FINISH:
 HOUSING: PA 6-6, UL 94-V0, COLOR: GREEN.
 CLAMP: BRASS, PLATING: SEE TABLE.
 DOUBLE SIDE CONTACT SPRING: PHOSPHOR BRONZE, PLATING: SEE TABLE.
 CLAMPING SCREW: M3, BRASS, NICKEL PLATED.
2. END-TO-END STACKABLE WITHOUT LOSS OF CENTERLINE SPACING.
3. WIRE SIZE RANGE: 12-30 AWG.
4. RECOGNIZED UNDER THE COMPONENT PROGRAM OF UNDERWRITERS LABORATORIES INC. FILE N° E60677.
5. IMQ CERTIFICATE WITH SURVEILLANCE IN CONFORMITY WITH IEC 998-1/998-2-1.
6. NOT CUMULATIVE TOLERANCE
7. INK MARKING, WHITE COLOR
8. INK MARKING, BLACK COLOR
9. NUMERICAL SEQUENCE: FROM LEFT TO RIGHT UNLESS OTHERWISE SPECIFIED.
10. BUCHANAN LOGO TO APPEAR ON HOUSING, LOCATION OPTIONAL WHERE SPACE PERMITS.
11. SELECTIVELY LOADED IN POSITIONS 1,2,4,5,7,8.

REMOVE PIN 3	PRELIMINARY	NICKEL	TIN	-	-	25.40	5	8-796634-3
	PRELIMINARY	NICKEL	0.76 μm AU	-	-	106.68	21	8-796634-2
	PRELIMINARY	NICKEL	0.76 μm AU	-	-	86.36	17	8-796634-1
	PRELIMINARY	NICKEL	0.76 μm AU	-	-	71.12	14	8-796634-0
	PRELIMINARY	NICKEL	0.76 μm AU	-	-	60.96	12	7-796634-9
	PRELIMINARY	NICKEL	0.76 μm AU	-	-	50.80	10	7-796634-8
	PRELIMINARY	NICKEL	0.76 μm AU	-	-	45.72	9	7-796634-7
	PRELIMINARY	NICKEL	0.76 μm AU	-	-	40.64	8	7-796634-6
	PRELIMINARY	NICKEL	0.76 μm AU	-	-	35.56	7	7-796634-5
	PRELIMINARY	NICKEL	0.76 μm AU	-	-	30.48	6	7-796634-4
	PRELIMINARY	NICKEL	0.76 μm AU	-	-	25.40	5	7-796634-3
	PRELIMINARY	NICKEL	0.76 μm AU	-	-	20.32	4	7-796634-2
	PRELIMINARY	NICKEL	0.76 μm AU	-	-	15.24	3	7-796634-1
	PRELIMINARY	NICKEL	0.76 μm AU	-	-	10.16	2	7-796634-0
		NICKEL	TIN	-	-	40.64	8	6-796634-9
		NICKEL	TIN	7	9	91.44	18	6-796634-8
		NICKEL	TIN	7	9	81.28	16	6-796634-7
	PRELIMINARY	NICKEL	TIN	7	9	15.24	3	6-796634-6
	PRELIMINARY	NICKEL	TIN	8	9	101.60	20	6-796634-5
		NICKEL	TIN	7	9	15.24	3	6-796634-4
	PRELIMINARY	NICKEL	TIN	7	9	15.24	3	6-796634-3
	PRELIMINARY	NICKEL	TIN	7	9	10.16	2	6-796634-2
		.000008 GOLD OVER NICKEL	.000008 GOLD OVER NICKEL	-	-	10.16	2	5-796634-6
	PRELIMINARY	NICKEL	GOLD FLASH	-	-	25.40	5	5-796634-5
	PRELIMINARY	NICKEL	GOLD FLASH	-	-	20.32	4	5-796634-4
	PRELIMINARY	NICKEL	GOLD FLASH	-	-	10.16	2	5-796634-2
	PRELIMINARY	NICKEL	TIN	8	9	45.72	9	5-796634-1
	PRELIMINARY	NICKEL	TIN	8	9	45.72	9	5-796634-0
	PRELIMINARY	NICKEL	TIN	7	9	45.72	9	4-796634-9
	PRELIMINARY	NICKEL	TIN	8	9	20.32	4	4-796634-5
	PRELIMINARY	NICKEL	TIN	7	9	71.12	14	4-796634-4
		NICKEL	TIN	8	9	55.88	11	4-796634-2
		NICKEL	TIN	7	9	55.88	11	4-796634-1
		NICKEL	TIN	7	9	35.56	7	4-796634-0
		NICKEL	TIN	7	9	81.28	16	3-796634-9
		NICKEL	TIN	8	9	81.28	16	3-796634-8
		NICKEL	TIN	7	9	121.92	24	3-796634-7
		NICKEL	TIN	8	9	121.92	24	3-796634-6
		NICKEL	TIN	7	9	121.92	24	3-796634-5
		NICKEL	TIN	8	9	121.92	24	3-796634-4
		NICKEL	TIN	7	9	50.80	10	2-796634-8
		NICKEL	TIN	7	9	40.64	8	2-796634-7
		NICKEL	TIN	-	-	127.00	25	2-796634-5
		NICKEL	TIN	-	-	121.92	24	2-796634-4
		NICKEL	TIN	-	-	116.84	23	2-796634-3
		NICKEL	TIN	-	-	111.76	22	2-796634-2
		NICKEL	TIN	-	-	106.68	21	2-796634-1
		NICKEL	TIN	-	-	101.60	20	2-796634-0
		NICKEL	TIN	-	-	96.52	19	1-796634-9
		NICKEL	TIN	-	-	91.44	18	1-796634-8
		NICKEL	TIN	-	-	86.36	17	1-796634-7
		NICKEL	TIN	-	-	81.28	16	1-796634-6
		NICKEL	TIN	-	-	76.20	15	1-796634-5
		NICKEL	TIN	-	-	71.12	14	1-796634-4
		NICKEL	TIN	-	-	66.04	13	1-796634-3
		NICKEL	TIN	-	-	60.96	12	1-796634-2
		NICKEL	TIN	-	-	55.88	11	1-796634-1
		NICKEL	TIN	-	-	50.80	10	1-796634-0
		NICKEL	TIN	-	-	45.72	9	796634-9
		NICKEL	TIN	-	-	40.64	8	796634-8
		NICKEL	TIN	-	-	35.56	7	796634-7
		NICKEL	TIN	-	-	30.48	6	796634-6
		NICKEL	TIN	-	-	25.40	5	796634-5
		NICKEL	TIN	-	-	20.32	4	796634-4
		NICKEL	TIN	-	-	15.24	3	796634-3
		NICKEL	TIN	-	-	10.16	2	796634-2
	CLAMP PLATING	CONTACT PLATING	MARKING	SPECIAL	L	NO OF POSN	PART NUMBER	

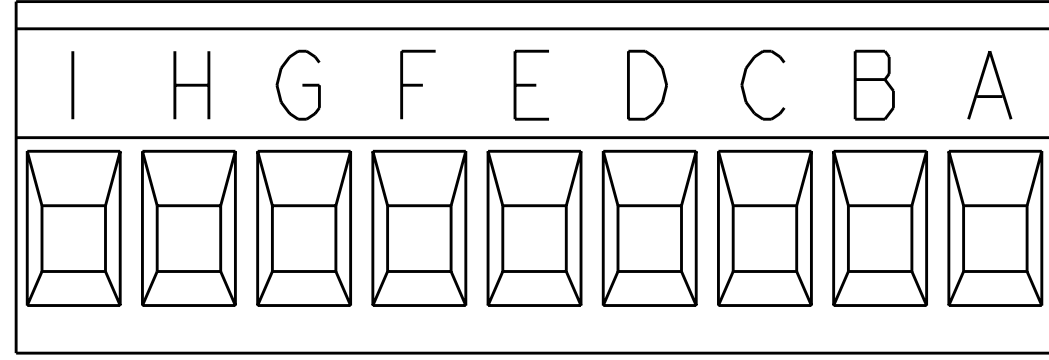
DIMENSIONS: mm 		TOLERANCES UNLESS OTHERWISE SPECIFIED: 9 PLC ±.3 1 PLC ±0.25 5 PLC ±. 4 PLC ±. ANGLES ±2 FINISH: 1		DWN: S. WELDON 18OCT2000 CHK: D. BIEVENOUR 18OCT2000 APPD: D. BIEVENOUR 18OCT2000 PRODUCT SPEC: - APPLICATION SPEC: - WEIGHT: - CUSTOMER DRAWING	Tyco Electronics Harrisburg, PA 17105-3608 NAME: TERMINAL BLOCK, PLUG, STACKING, 5.08mm PITCH SIZE: A 00779C=796634 SCALE: 2:1 SHEET 1 OF 2 REV R5
--------------------	--	--	--	--	--



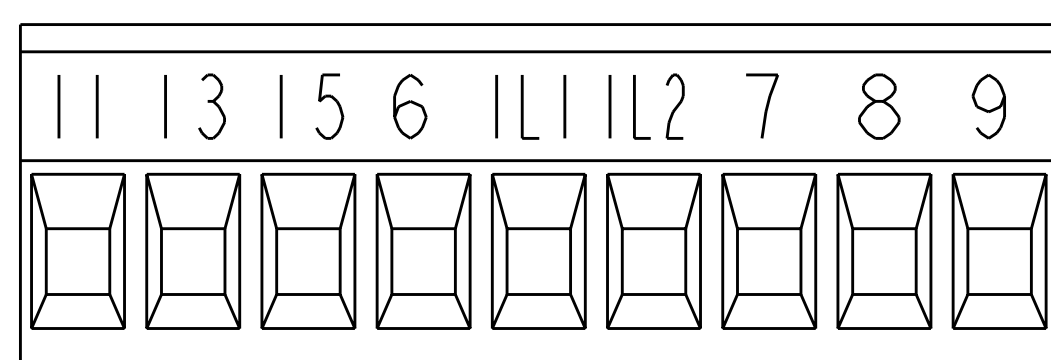
DETAIL A-A



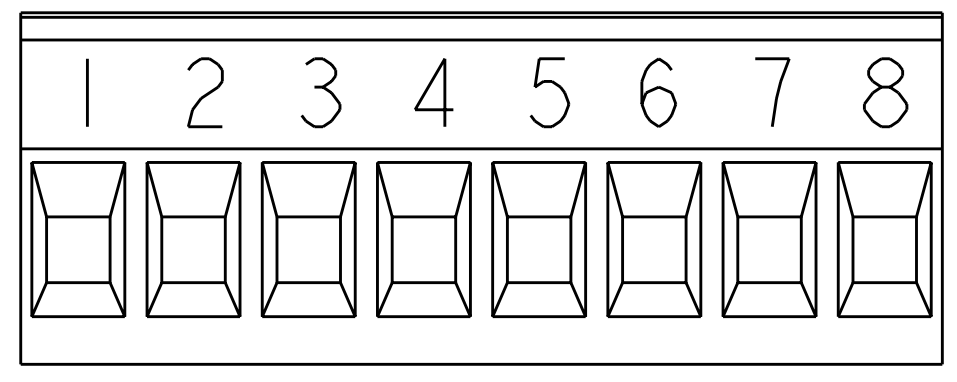
DETAIL P1



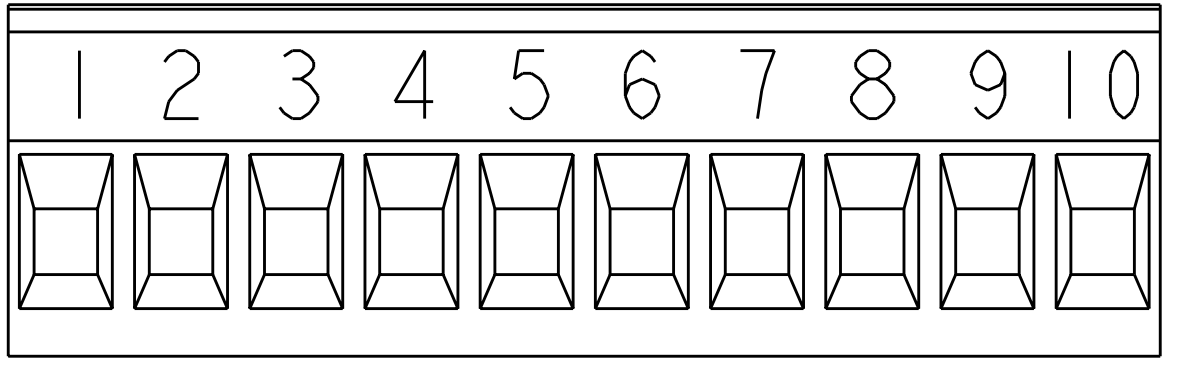
DETAIL P2



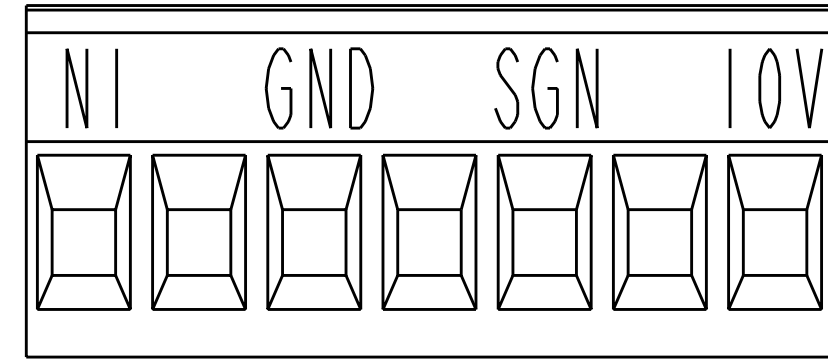
DETAIL P3



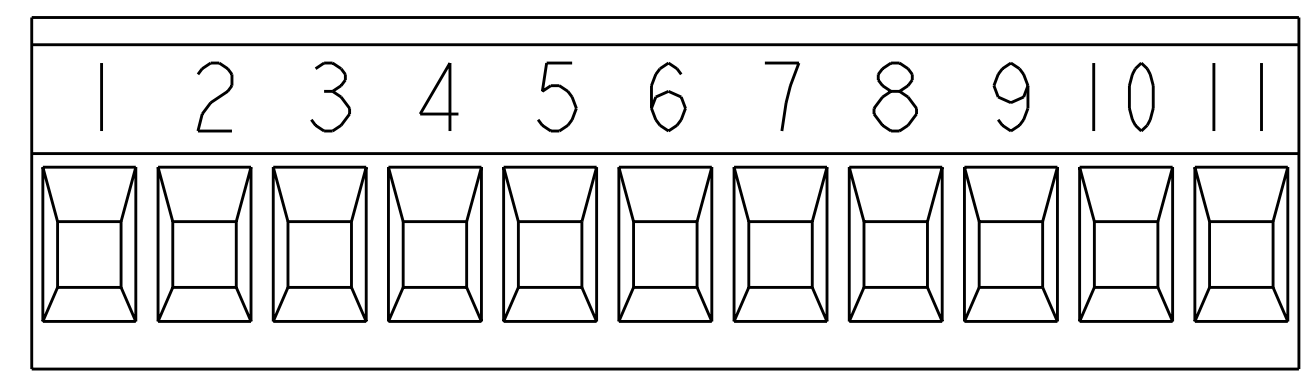
DETAIL D



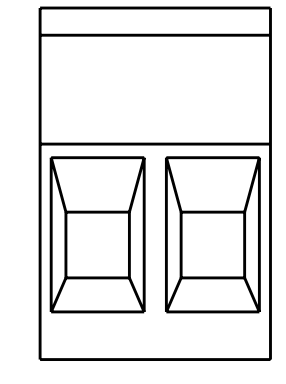
DETAIL E



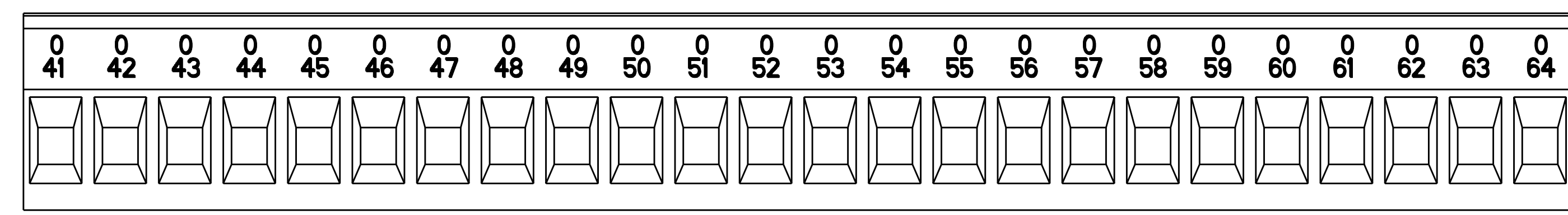
DETAIL N



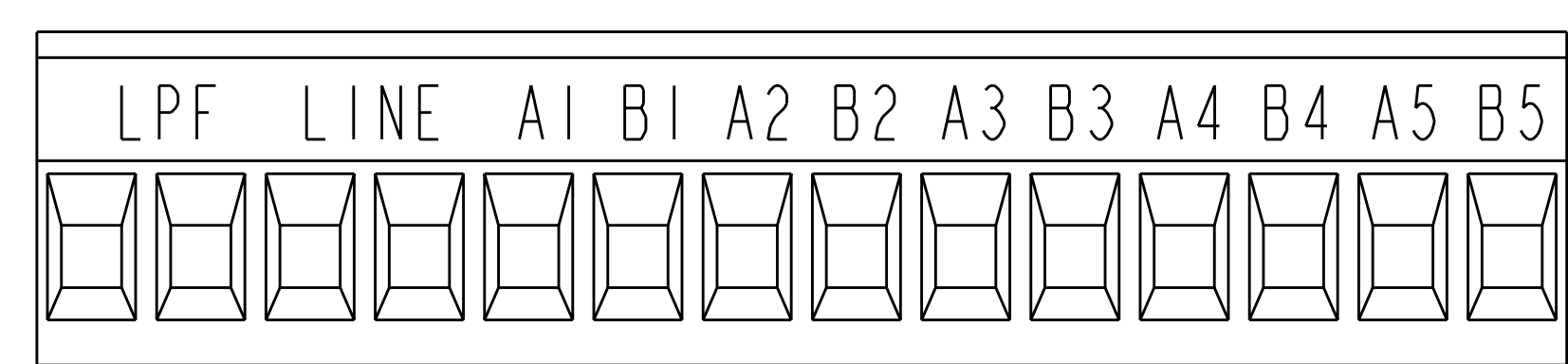
DETAIL P



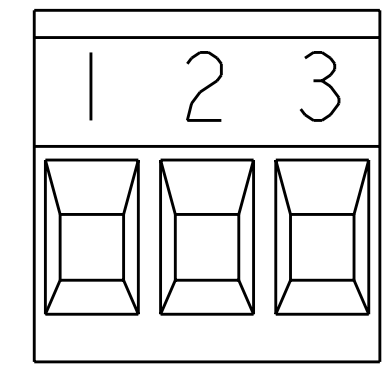
DETAIL S



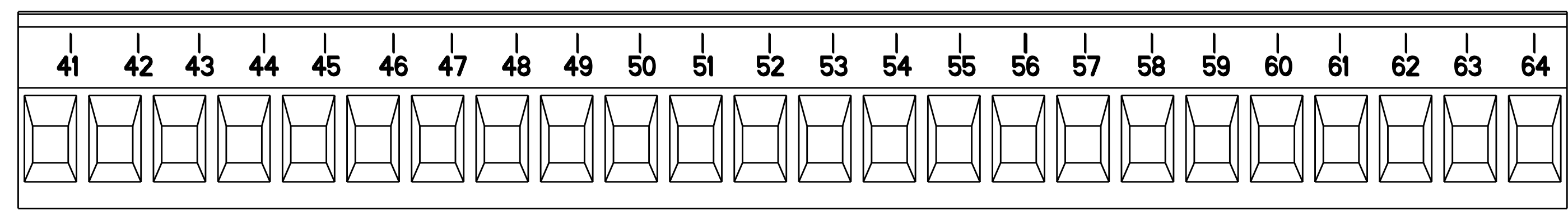
DETAIL F



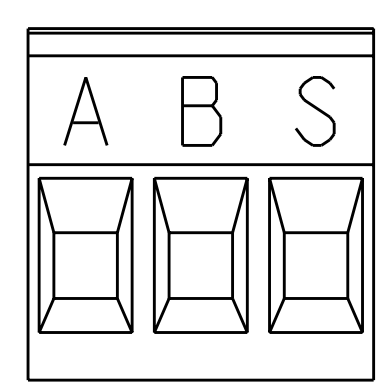
DETAIL R



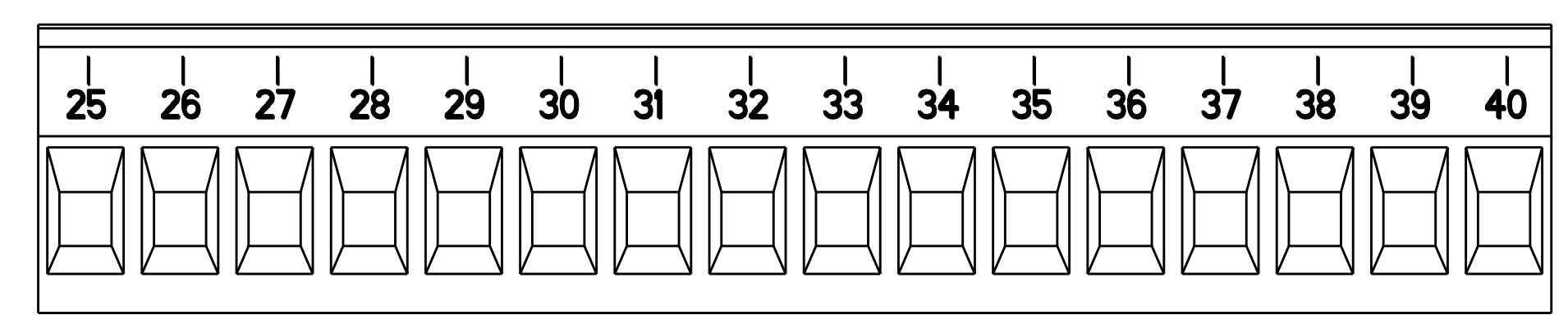
DETAIL T



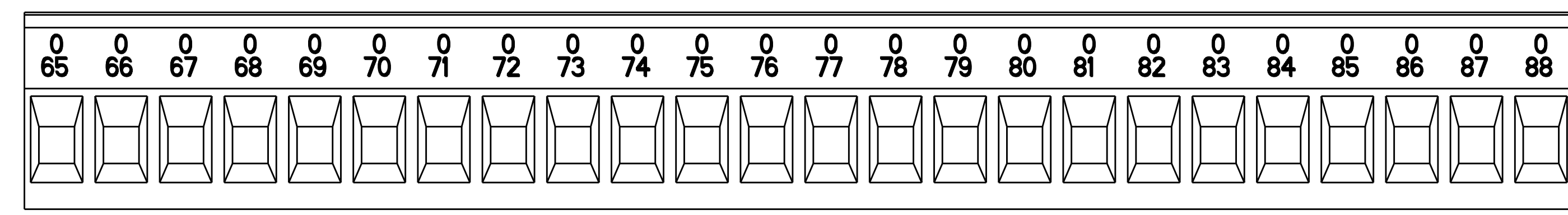
DETAIL G



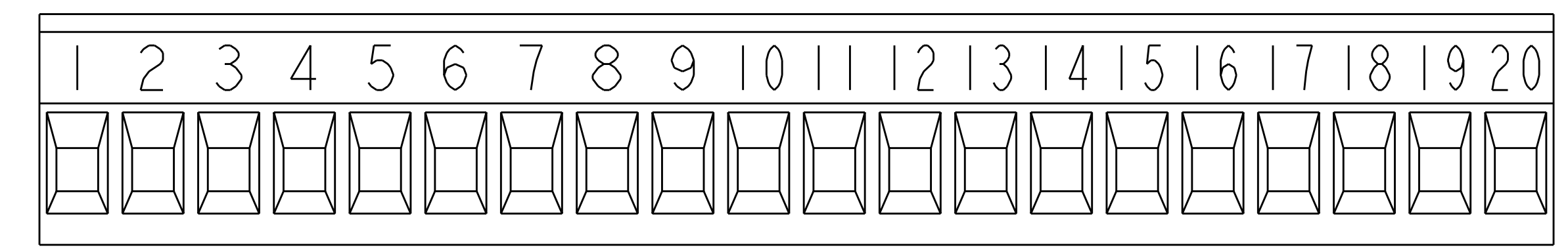
DETAIL V



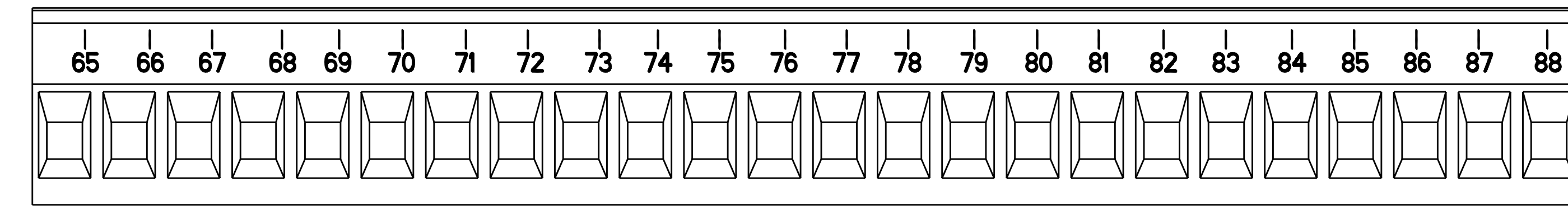
DETAIL M



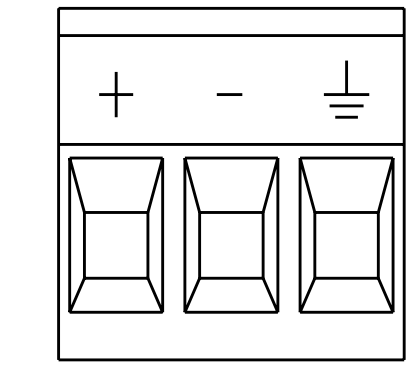
DETAIL H



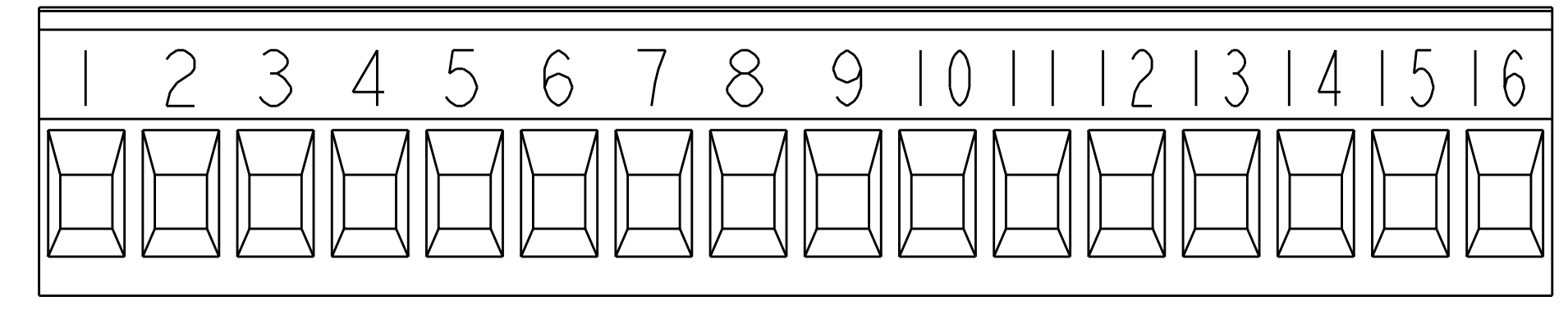
DETAIL W



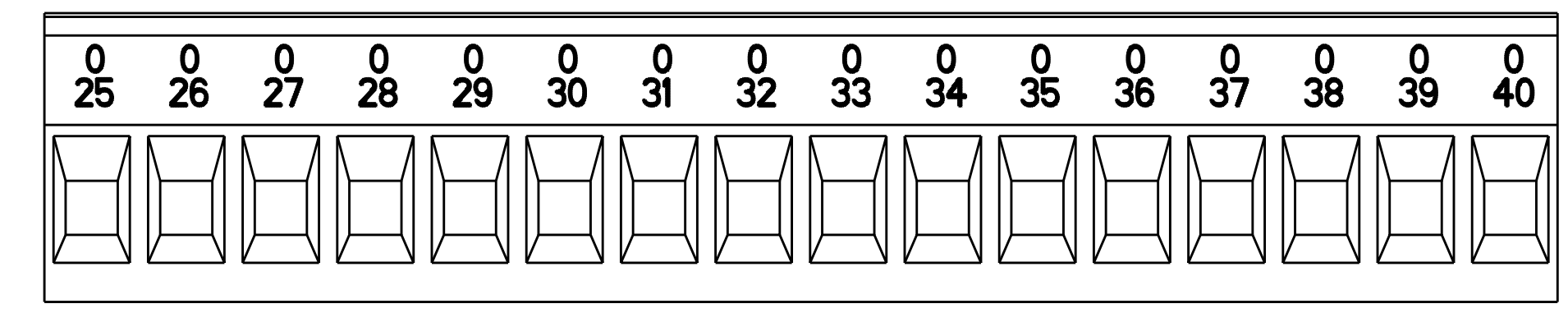
DETAIL J



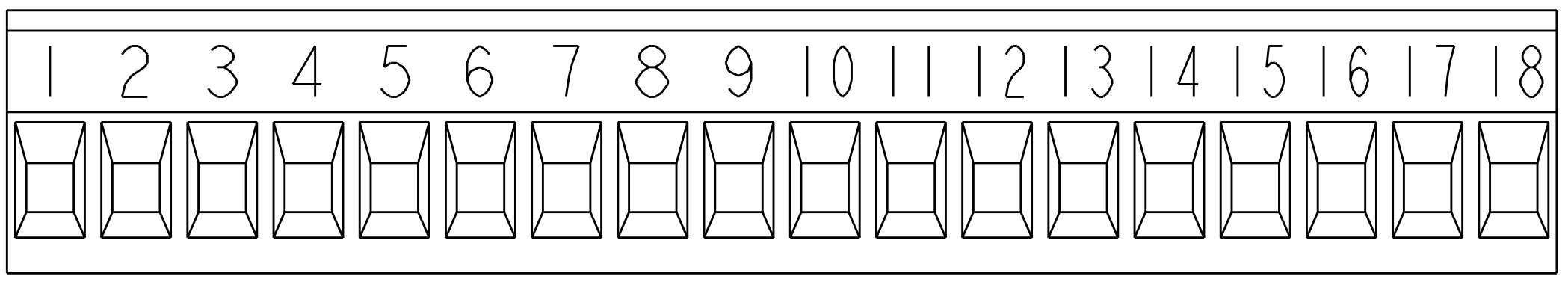
DETAIL X



DETAIL Y



DETAIL K



DETAIL Z

DIMENSIONS: mm		TOLERANCES UNLESS OTHERWISE SPECIFIED: 0 PLC ± 1 PLC ±0.3 2 PLC ±0.25 3 PLC ± 4 PLC ± ANGLES ±2 FINISH		DWN S. WELDON 18OCT2000 CHK D. BIEVENOUR 18OCT2000 APVD D. BIEVENOUR 18OCT2000 PRODUCT SPEC APPLICATION SPEC WEIGHT CUSTOMER DRAWING		Tyco Electronics Harrisburg, PA 17105-3608 NAME TERMINAL BLOCK, PLUG, STACKING, 5.08mm PITCH SIZE CAGE CODE DRAWING NO A100779C=796634 SCALE 3:1 SHEET 2 OF 2 REV R5	
-------------------	--	---	--	--	--	---	--