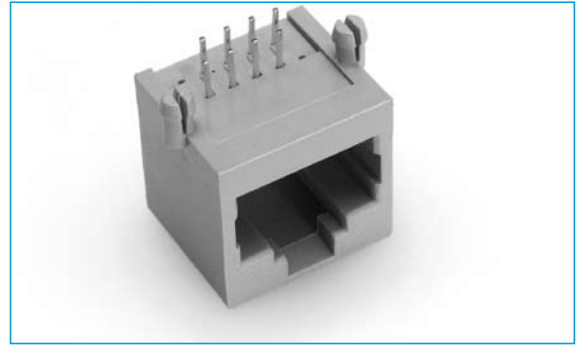


NETWORKING SOCKETS

LOW PROFILE SIDE ENTRY PCB JACK

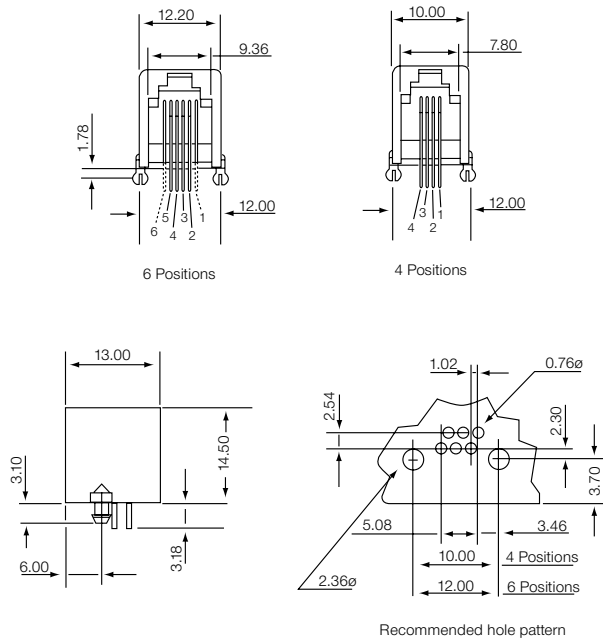
- 4 - 10 way available
- Board Solderable
- Competitively priced



SPECIFICATION

Current Rating	3A
Contact Resistance	30mΩ max at DC 100mA
Dielectric withstanding Voltage	AC 500V for 1 minute
Insulation Resistance	1000mΩ min at DC 500V
Plating	Selective gold plating over Nickel Tin plate on solder foils
Housing	UL94V0 Standard
Colour	Grey
Contact	0.35mm Phosphor Bronze
Operating Temperature	-55°C to +105°C

OUTLINE DRAWING



ORDERING INFORMATION

DBC	RJ	S	44	D
Dubilier Connectors	Series	Contact Type S = Socket	No. of Ways x No. of loaded contacts 4 x 4 6 x 6 8 x 8 10 x 10	Style D = Low Profile Side Entry PCB Jack

SECTION 16