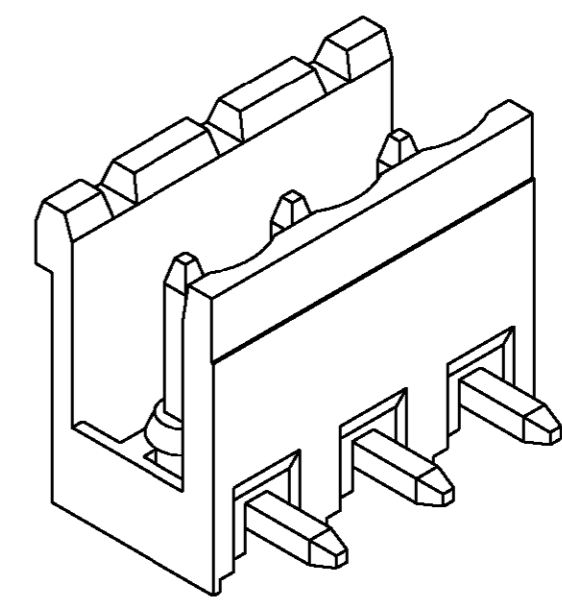
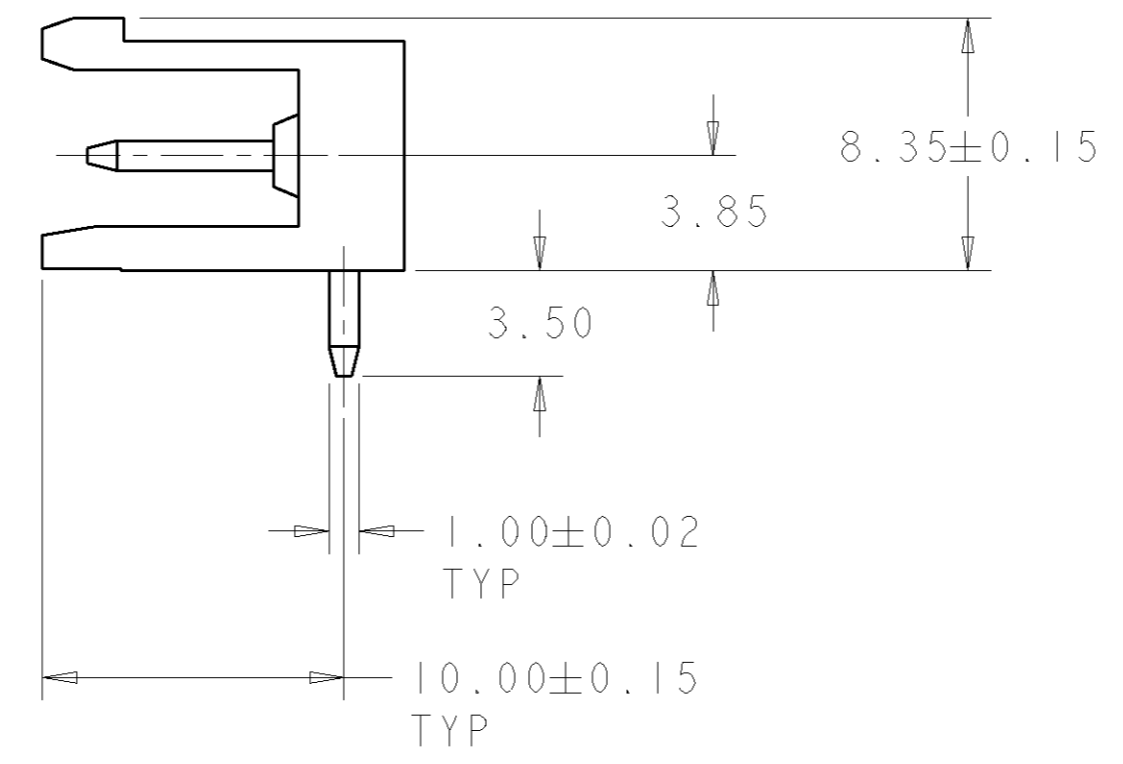
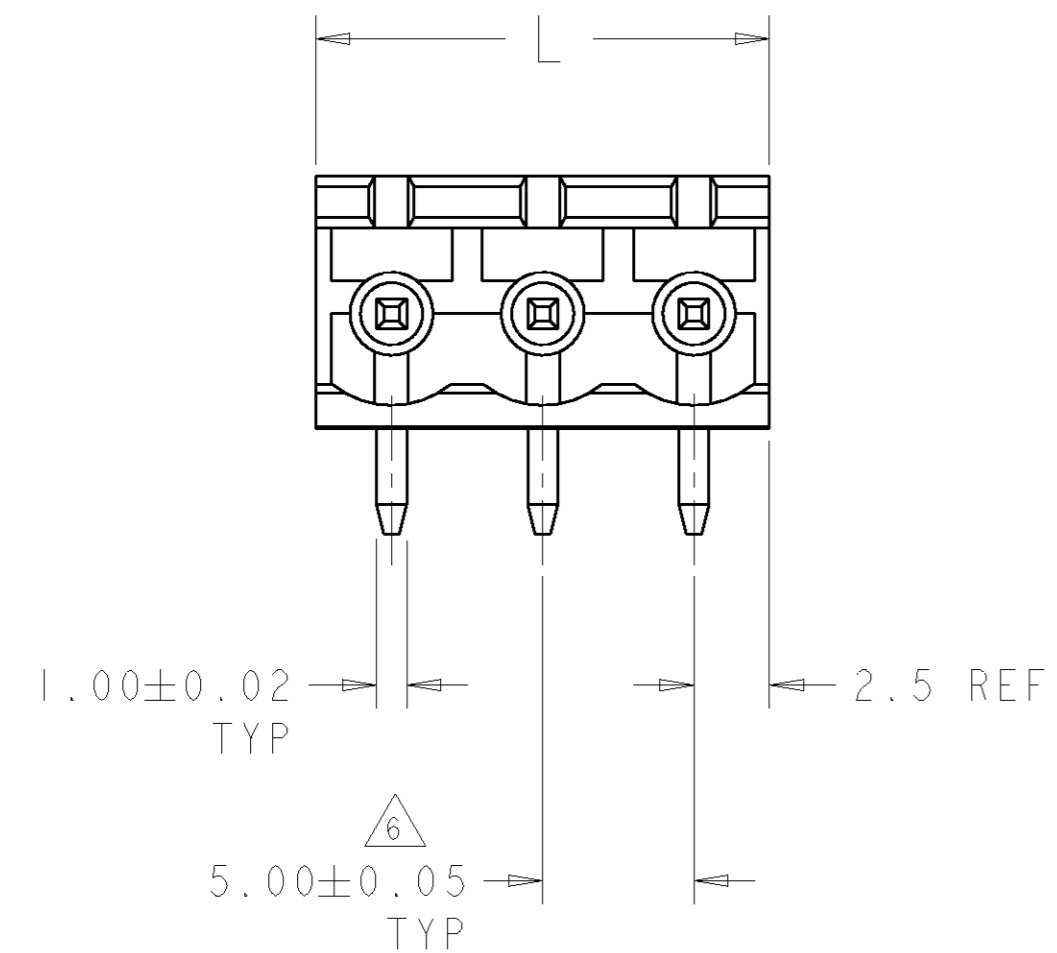
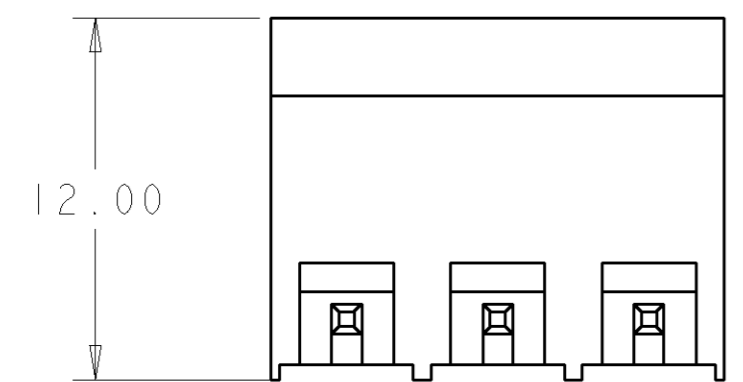


LOC	DIST	REVISIONS			
P	LTR	DESCRIPTION	DATE	DWN	APVD
FT	0	A	RELEASED	-	-

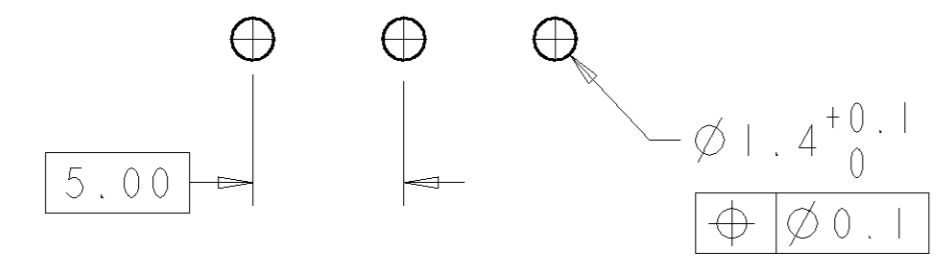


1546210-3 AS SHOWN



- 1. MATERIALS AND FINISH
 HOUSING: PA 6-6, UL 94-V0, COLOR: GRAY.
 TERMINAL: PHOSPHOR BRONZE, TIN PLATED.
- 2. SUITABLE FOR 1,6-2,4mm PC BOARD THICKNESS.
- 3. END-TO-END STACKABLE WITHOUT LOSS OF CENTERLINE SPACING.
- 4. RECOGNIZED UNDER THE COMPONENT PROGRAM OF UNDERWRITERS LABORATORIES INC. FILE N° E60677.
- 5. IMO CERTIFICATE WITH SURVEILLANCE IN CONFORMITY WITH IEC 998-1/998-2-1.
- 6. NOT CUMULATIVE TOLERANCE.
- 7. BUCHANAN LOGO TO APPEAR ON HOUSING, LOCATION OPTIONAL WHERE SPACE PERMITS.
- 8. SELECTIVELY LOADED IN POSITIONS 1, 4, 5, 8 & 11.

125.0	25	2-1546210-5
120.0	24	2-1546210-4
115.0	23	2-1546210-3
110.0	22	2-1546210-2
105.0	21	2-1546210-1
100.0	20	2-1546210-0
95.0	19	1-1546210-9
90.0	18	1-1546210-8
85.0	17	1-1546210-7
80.0	16	1-1546210-6
75.0	15	1-1546210-5
70.0	14	1-1546210-4
65.0	13	1-1546210-3
60.0	12	1-1546210-2
55.0	11	1-1546210-1
50.0	10	1-1546210-0
45.0	9	1546210-9
40.0	8	1546210-8
35.0	7	1546210-7
30.0	6	1546210-6
25.0	5	1546210-5
20.0	4	1546210-4
15.0	3	1546210-3
10.0	2	1546210-2
L	NO OF POSN	PART NUMBER



RECOMMENDED PC BOARD LAYOUT

<small>THIS DRAWING IS A CONTROLLED DOCUMENT FOR TYCO ELECTRONICS CORPORATION. IT IS SUBJECT TO CHANGE AND THE CONTROLLING ENGINEERING ORGANIZATION SHOULD BE CONTACTED FOR THE LATEST REVISION.</small>		DWN: S. WELDON 14AUG2003 CHK: C. RICHARD 14AUG2003 APVD: C. RICHARD 14AUG2003	BUCHANAN Tyco Electronics Harrisburg, PA 17105-3608
DIMENSIONS: mm 	TOLERANCES UNLESS OTHERWISE SPECIFIED: 0 PLC ±.2 1 PLC ±.25 2 PLC ±.25 3 PLC ±.25 4 PLC ±.25 ANGLES ±2 FINISH	PRODUCT SPEC: 108-20166 APPLICATION SPEC: 114-20079 WEIGHT: -	NAME: TERMINAL BLOCK HEADER ASSEMBLY 90 DEGREE, OPEN ENDS, STACKING 5.00mm PITCH SIZE: A2 CAGE CODE: 00779 DRAWING NO: 1546210 RESTRICTED TO: -
MATERIAL: - -		CUSTOMER DRAWING SCALE: 3:1 SHEET 1 OF 1 REV A	