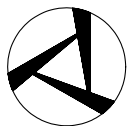


Spec No.	SS-023
Data	Oct 30, 2003
Version	First

SPECIFICATION

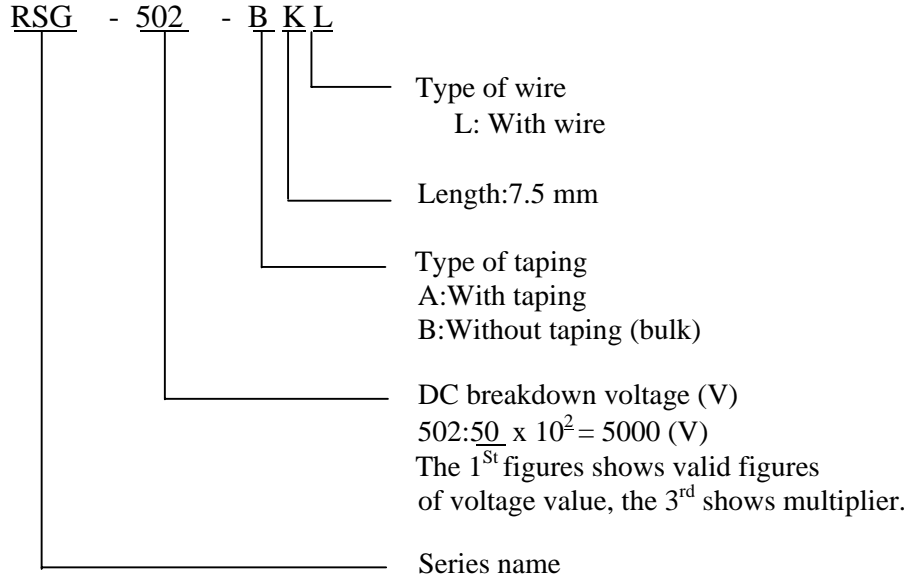
Product name : Rodan Spark Gap
Type : RSG-502-BKL



Spec No.	SS-023
Data	Oct 30, 2003
Version	First

1. Scope This specification covers Rodan Spark Gap RSG-502-BKL.

2. Type designation



3. Appearance Structure

3-1 Dimension Refer to drawing 4R-4198-Y85

3-2 Display and contents Marking must not be disappeared easily, and it has to be identified.

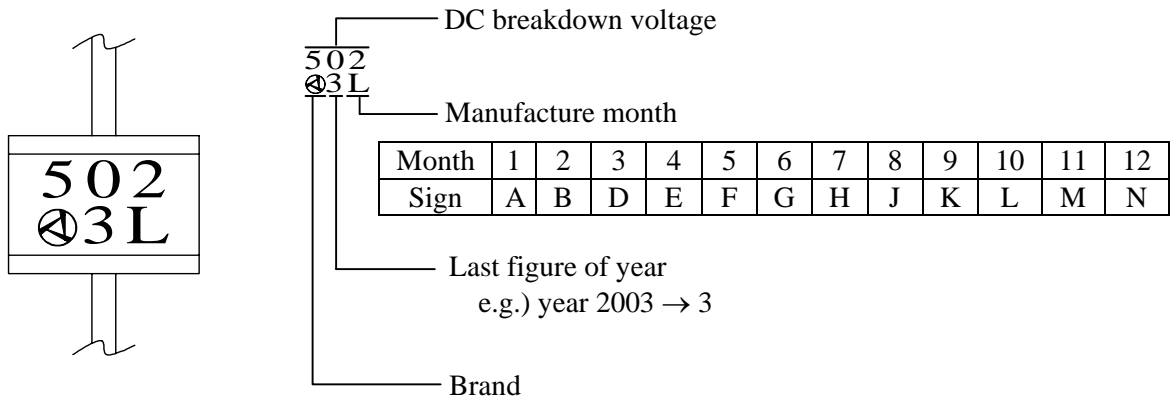
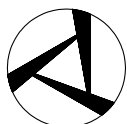


Fig.1 Example of marking

3-3 Materials Ceramic, Electrode, Lead wire etc

3-4 Plating treatment Tinning

3-5 Filler gas Ar, mixed gas (This product doesn't use radioisotope.)



Spec No.	SS-023	P: 3/5
Data	Oct 30, 2003	
Version	First	

4. Electrical characteristics

No.	Item	Mark	Test condition	Standard values
1	DC breakdown voltage	Ez	1 MΩ , 500 V/s	5000 V ±20 %
2	Insulation resistance	IR	DC100 V	1000 MΩ Min
3	Electrostatic capacitance	C	1.0 kHz	2.0 pF Max
4	Life test	-	Switching times	1 s ON / 10 s OFF
			Ambient temperature	Room temperature
			Test circuit 	DC breakdown Voltage 5000 V ⁺²⁰ / ₋₂₅ % Insulation resistance 100 MΩ Min (DC100 V)
			Minimum number of switching is 10 ⁵ times, according to the above condition.	



Spec No.	SS-023
Data	Oct 30, 2003
Version	First

5. Switching frequency

Maximum switching frequency : 200 Hz

6. Operating condition

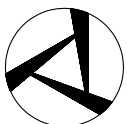
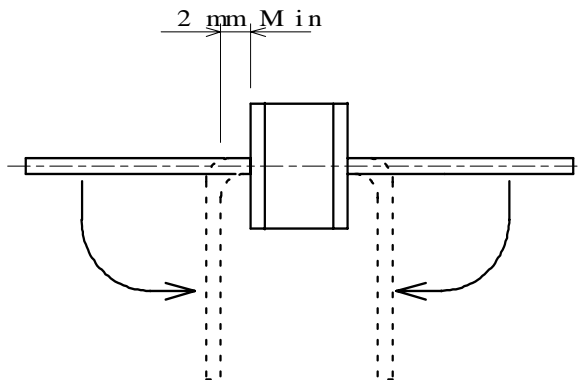
Operating temperature: -40C to +100C

7. Storage condition

Storage temperature: -40C to +100C

8. About forming

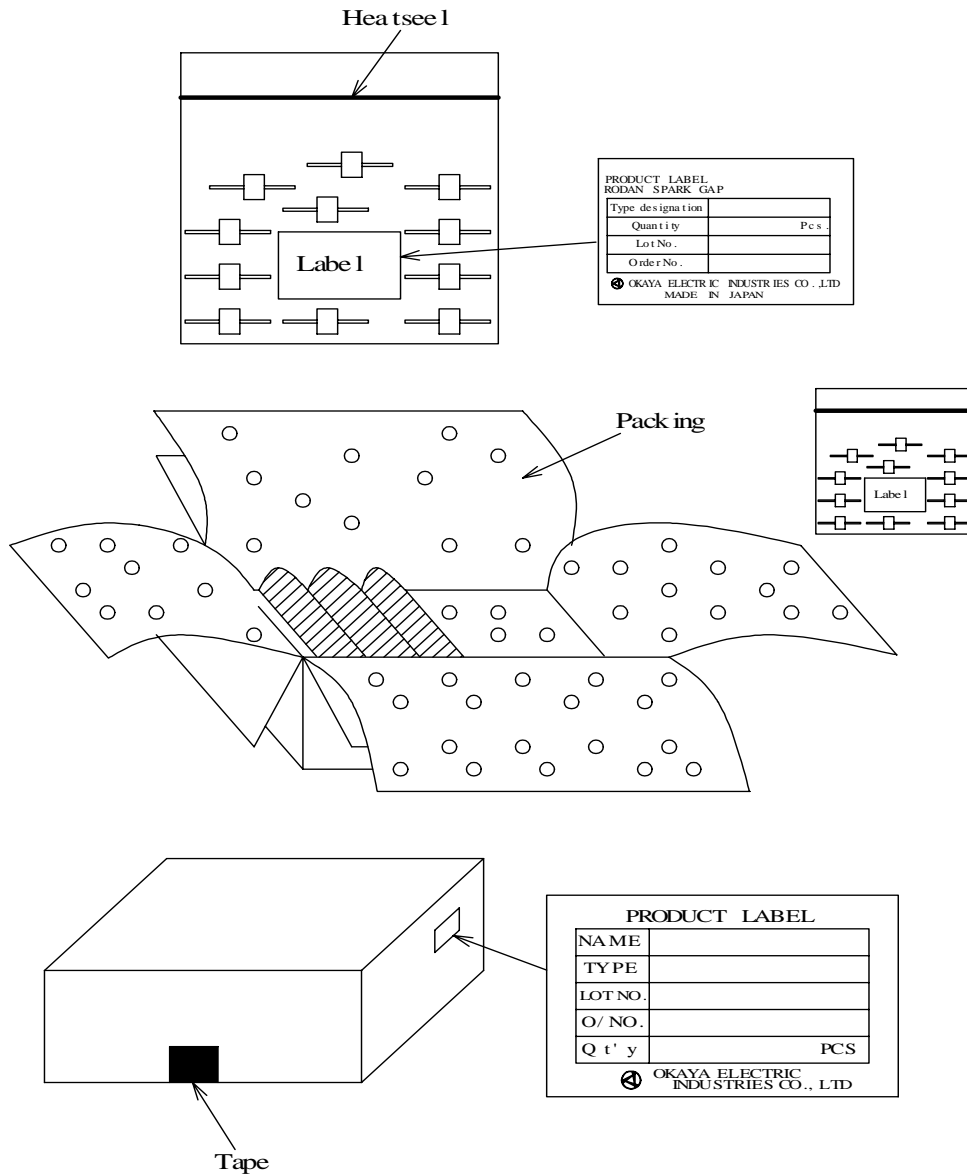
As regards forming of spark gap, please take distance more than 2mm from main body when you bend lead wire.
When performing a forming, please hold only lead wire and be careful not to give a stress on main body.

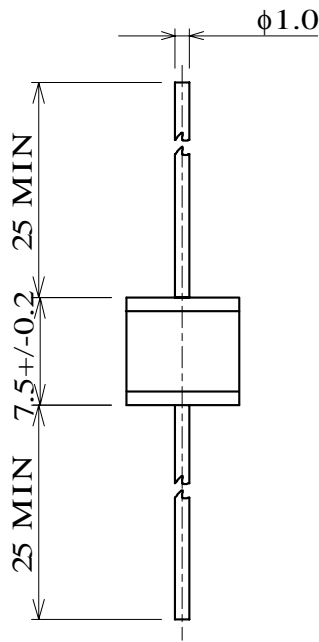
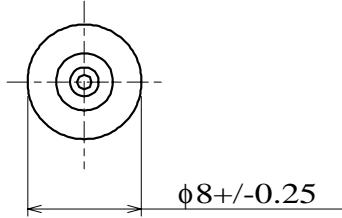


Spec No.	SS-023
Data	Oct 30, 2003
Version	First

9. Packing

Put 50 pcs. of RSG series and 1pc. of product label in a vinyl bag of specified size, seal the bag with a heatseal, put bags of quantity required a box, pack and stick product label on the box.





Weight : approx . 2g

Ver.	Rev . data	History of rev .	Date	Scale	Product name	
			2003 .8 .29	2 :1	Rodan spark gap	
					Type name	
					Outline dimension ($\Phi 8 .0 \times 7 .5L$)	
					Drawing No .	
OKAYA ELECTRIC AMERICA, INC.					4 R - 4198 - Y85	4