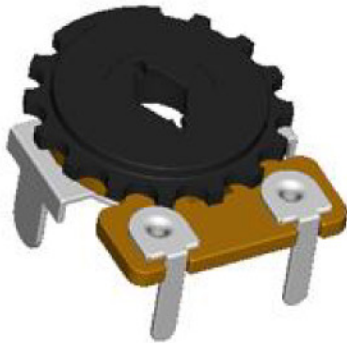


Model(型號): **ROTARY POTENTIOMETER-----R15811H01**

▶ Download PDF file



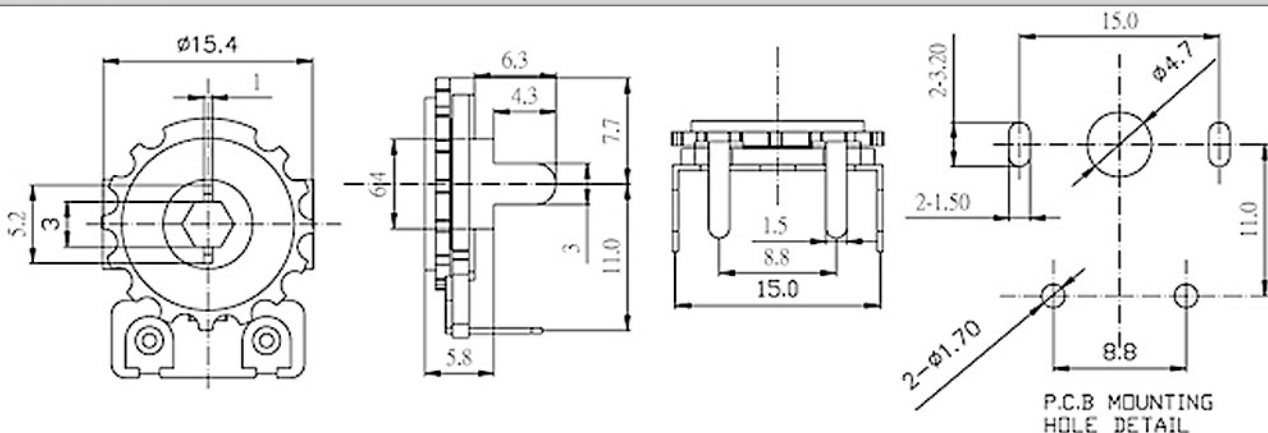
Features:(特點):

Small size,high dependability
thanks to its structure eliminating openings.
Excellent operational feeling

Applications(作用):

Suitable for various control applications
with general consumer electronics products,
automotive installation equipment and devices,
industrial machines ,etc

Dimensions(規格圖):



Specifications(規格)

Electrical Characteristics [電氣性能]

Total resistance [全阻抗值]	100Ω - 1MΩ
Total resistance tolerance [全阻抗值容許差]	±20%
Ratings power(w) [額定功率]	0.1W
Resistance taper [阻抗變化特性]	A,B,C,
Residual resistance [殘留阻值]	20Ω Max
Sliding noise [滑動雜音]	70mV Max.
Gang error [連動誤差]	-
Insulation resistance [絕緣阻抗]	100MΩ Min. at DC 100V.
Max. operating voltage [最高使用電壓]	DC 12V

Mechanical Characteristics [機械性能]

Operation torque [回轉力矩]	20~60gf . cm
Rotation stopper strength [止動強度]	1.0Kgf . cm Min.
Total rotational angle [回轉角度]	270 ±5°
Knob push-pull strength [推拉強度]	Push force 0.5kgf. cm Max. pull force 0.2kgf.cm Max.

Endurance Characteristics [耐久性能]

Rotational life [回轉壽命]	More than10,000 cycles
--------------------------	------------------------