

EPI BHC44 Series



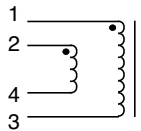
- Low loss material ensures operation in high frequency switching converters, such as Buck, Boost or as output averaging filter inductor
- Also suitable for use in high quality filter applications
- 500 KHz Switching Frequency

Primary Specification

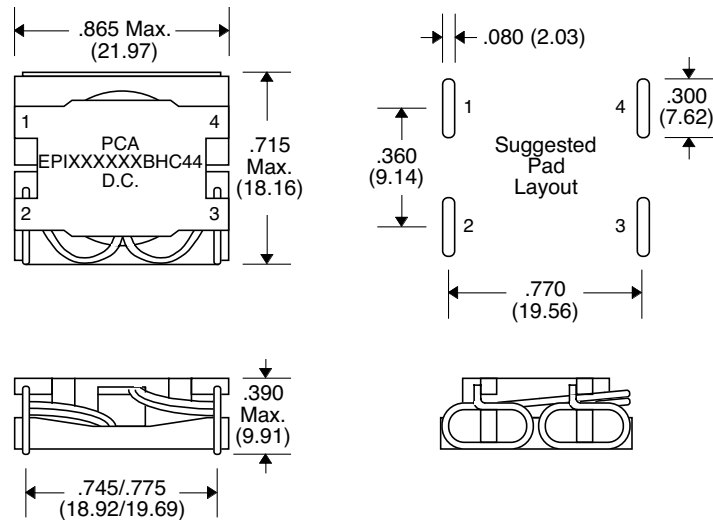
Part Number	Connection	Inductance ($\mu\text{H} \pm 15\%$) @ 0 Idc	DCR (Ω Typ.)	Idc (Amps)	Inductance ($\mu\text{H} \pm 15\%$) @ Odc	Vt (V- μsec) @ 500 KHz	Temp. Rise ($^{\circ}\text{C}$ Typ.) @ Vt1
EPI0L6243BHC44	Series Parallel	2.33 0.58	.0046 .0011	11.9 23.8	3.67 0.92	2.0 1.0	58 58

• Core Loss @ Ref. Vt : 32 mW •

Schematic



Package BHC44



Unless Otherwise Specified Dimensions are in Inches /mm $\pm .010 / .25$