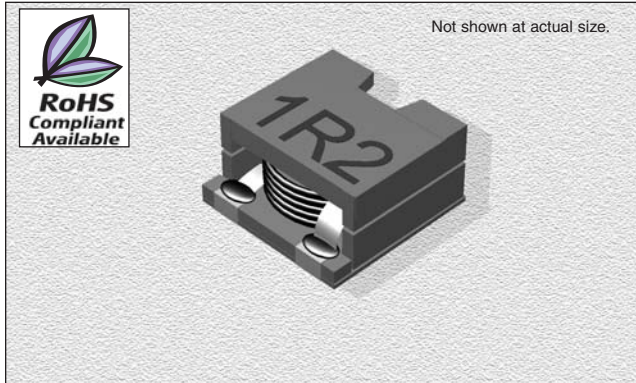


CTEP125S Series

From 1.2 μH to 10 μH



SPECIFICATIONS

Parts are available in $\pm 20\%$ only.

* This indicates the current when the inductance decreases to 75% over its nominal value or DC current when the temperature rising $\Delta T=40^\circ\text{C}$ lower, whichever is lower.

CTEP125SE Please specify "F" for RoHS compliant

Part Number	Inductance ($\mu\text{H} \pm 20\%$)	L Test Freq. (kHz)	DCR Max. (m Ω)	*Current (A)
CTEP125S_-1R2M	1.2	100	2.5	17.0
CTEP125S_-1R5M	1.5	100	2.5	14.0
CTEP125S_-2R5M	2.5	100	3.4	10.0
CTEP125S_-4R0M	4.0	100	5.4	8.3
CTEP125S_-6R0M	6.0	100	8.0	6.7
CTEP125S_-8R2M	8.2	100	11.4	5.8
CTEP125S_-100M	10	100	13.5	5.0

PHYSICAL DIMENSIONS

Size	A Max.	B Max.	C Max.	D	E	F	G	H
mm	12.9	12.9	5.8	2.6 \pm .2	7.0 \pm .2	4.0 \pm .2	4.2 \pm .2	2.5 \pm .2
inches	.51	.51	.23	.10 \pm .01	.28 \pm .01	.16 \pm .01	0.17 \pm 0.1	.10 \pm .01

CHARACTERISTICS

Description: SMD shielded power inductor

Applications: Power supplies for VTR, OA equipment, LCD televisions, PC notebooks, portable communication equipment, DC/DC converters, etc.

Operating Temperature: -30°C to $+100^\circ\text{C}$

Storage Temperature: -30°C to $+100^\circ\text{C}$

Inductance Tolerance: $\pm 20\%$

Testing: Tested on a HP4285A at 100 KHz , 0.25Vrms , 0Adc

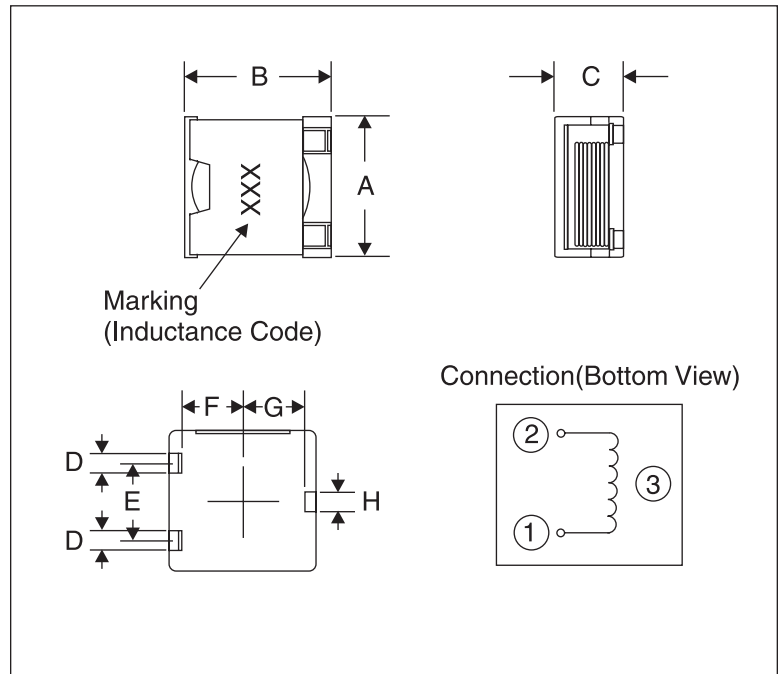
Packaging: Tape & Reel

Marking: Parts are marked with inductance code

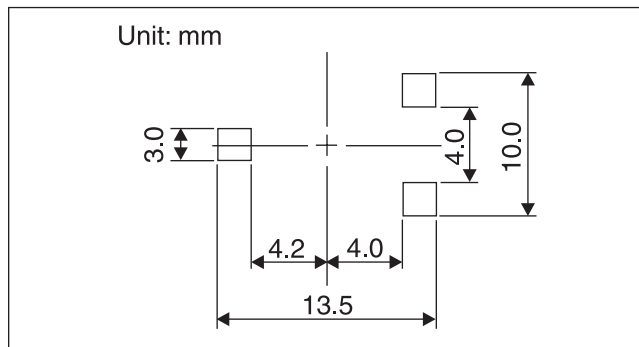
Miscellaneous: RoHS Compliant available.

Additional Information: Additional electrical & physical information available upon request

Samples available. See website for ordering information.



PAD LAYOUT



04.03.07