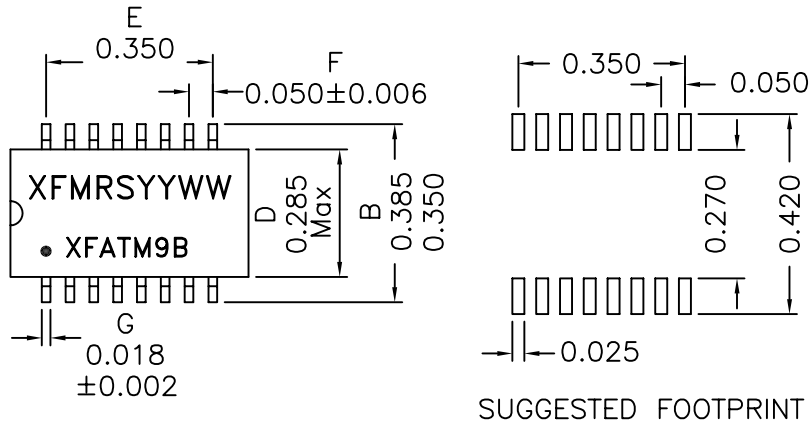
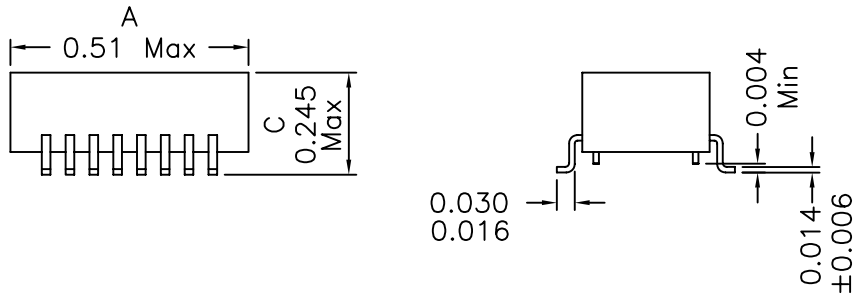
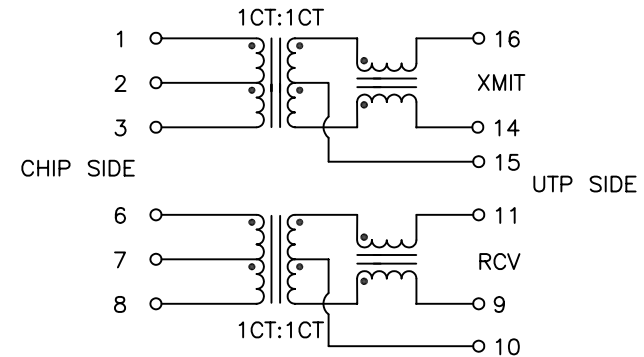


1. Mechanical Dimensions:



2. Schematic:

2. Schematic:



3. Electrical Specifications: @25°C

UTP Impedance: 100 OHMS

Turns Ratio: TX=1CT:1CT±2% RX=1CT:1CT±2%

Isolation Voltage: 1500Vac, Input to Output

UTP Side OCL: 350uH Min @100KHz 0.1V, 8mA_{dc}

UTP Side Q: 16 Min @100KHz 0.1V,

Rise Time (10–90%): 4.0ns Typical

Insertion Loss (1–132MHz): -1.0dB Maximum

Return Loss:	30MHz	60MHz	80MHz	132MHz	
	-20dB	-14dB	-11.5dB	-9.5dB	Typ
CMRR:	30MHz	50MHz	100MHz	132MHz	
	-42dB	-37dB	-33dB	-25dB	Typ
Crosstalk:	30MHz	60MHz	100MHz	132MHz	
	-45dB	-40dB	-35dB	-28dB	Typ

Notes:

- Solderability: Leads shall meet MIL-STD-202G, Method 208H for solderability.
- Flammability: UL94V-0
- ASTM oxygen index: > 28%
- Insulation System: Class F 155°C. UL file E151556
- Operating Temperature Range: All listed parameters are to be within tolerance from -40°C to +85°C
- Storage Temperature Range: -55°C to +125°C
- Aqueous wash compatible
- SMD Lead Coplanarity: ±0.004"(0.102mm)
- Electrical and mechanical specifications 100% tested
- RoHS Compliant Component

DOC. REV: B/11

XFMR INC		Title:	
www.XFMR.com		10/100 BASE MAGNETIC MODULE	
UNLESS OTHERWISE SPECIFIED		P/N: XFATM9B	REV. B
TOLERANCES:		DWN.	Xian Yi
.xxx ±0.010		CHK.	YK Liao
Dimensions in Inch		APP.	BW
SHEET 1 OF 1			Jan-16-09