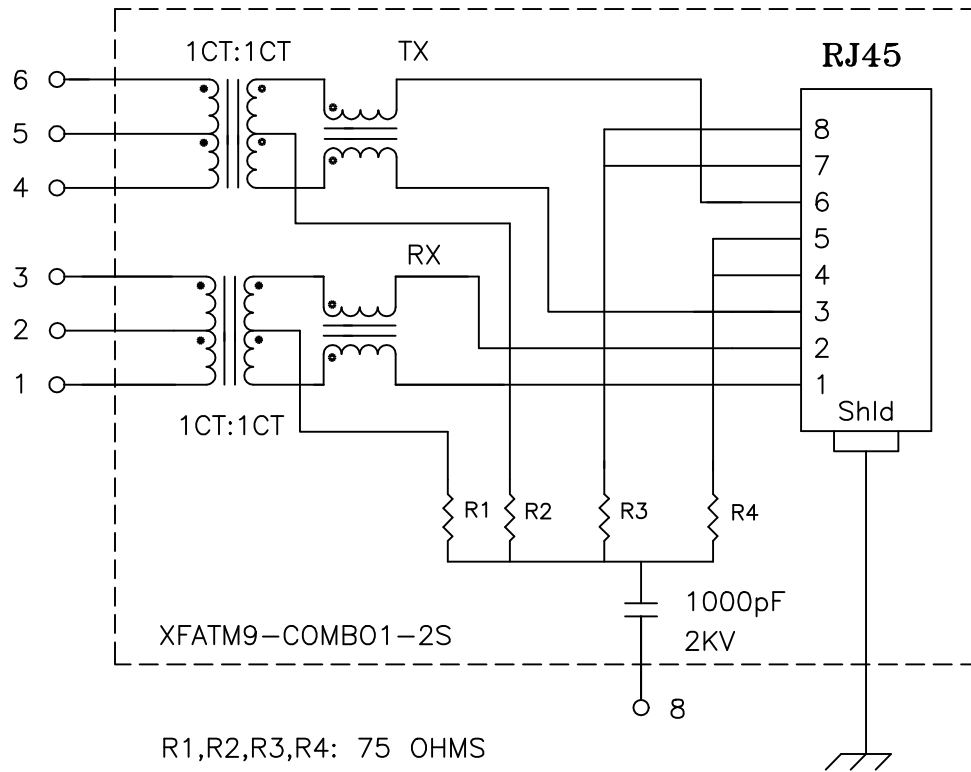


Schematic:



Electrical Specifications: @25°C

- Isolation Voltage: 1500 Vrms (Input to Output)
- Isolation Voltage: 500 Vrms (P1+2+3 to P4+5+6)
- Turns Ratio: TX 1CT:1CT $\pm 3\%$ RX 1CT:1CT $\pm 3\%$
- CABLE SIDE OCL: 350uH Minimum @100KHz 100mV 8mADC
- Cw/w: 27pF Typical @100KHz 100mV
- Insertion Loss (300KHz-100MHz): -1.0dB Maximum
- Return Loss: @30MHz -18dB Minimum
- @80MHz -12dB Minimum

Notes:

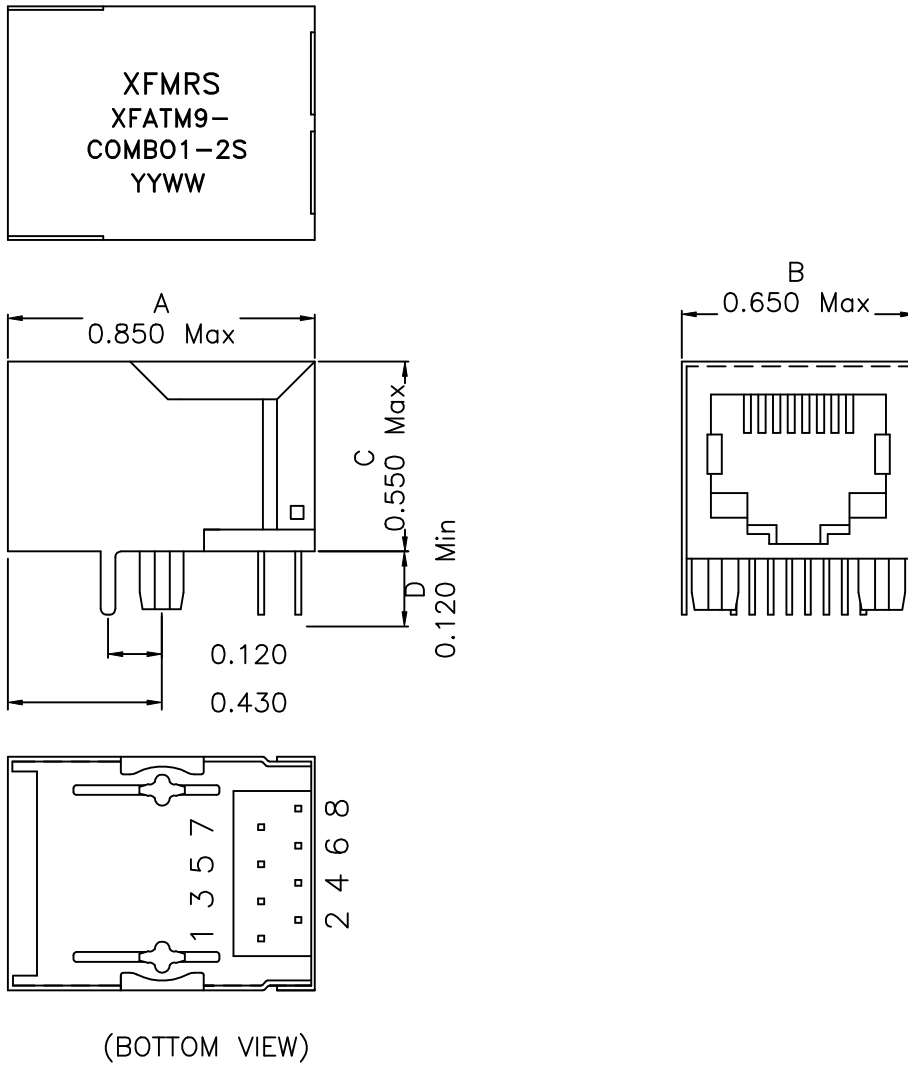
1. Solderability: Leads shall meet MIL-STD-202, Method 208D for solderability.
2. Flammability: UL94V-0
3. ASTM oxygen index: > 28%
4. Insulation System: Class F 155°C. UL file E151556
5. Operating Temperature Range: All listed parameters are to be within tolerance from 0°C to +70°C
6. Storage Temperature Range: -55°C to +125°C
7. Aqueous wash compatible

PRELIMINARY

DOC. REV: A/1

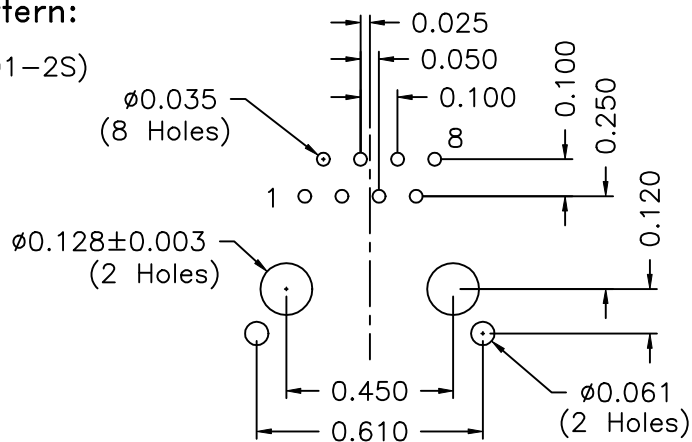
XFMRs Inc.	Title: DUAL PORT COMBO		
UNLESS OTHERWISE SPECIFIED TOLERANCES: .xxx ± 0.010 Dimensions in Inch	P/N: XFATM9-COMBO1-2S		REV. A
	DWN.	刘 鹏	Jan-27-03
	CHK.	李小锋	Jan-27-03
	SHEET 1 OF 2	APP.	BW

Mechanical Dimensions:



Mounting Pattern:

(FOR COMBO1-2S)
(COMP SIDE)



XFMRs Inc.

Title: Mechanical Dimensions
For COMBO1-2S Series

UNLESS OTHERWISE SPECIFIED
TOLERANCES:
.xxx ±0.010
Dimensions in Inch

P/N: XFATM9-COMBO1-2S

REV. A

DWN.

刘鹏

Jan-27-03

CHK.

李小锋

Jan-27-03

APP.

BW

Jan-27-03

DOC. REV A/1

SHEET 2 OF 2