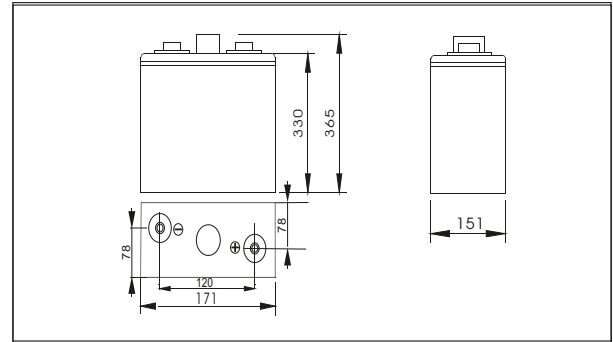




## SW23000E(2V300AH)



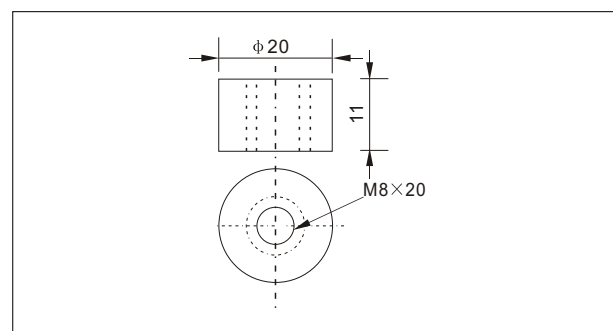
### Outer dimensions (mm)



### Specifications

Nominal Voltage		2 V
Rated capacity (10 hour rate)		300 Ah
Dimensions	Total Height	365 mm (14.4 inches)
	Height	330 mm (13.0 inches)
	Length	171 mm (6.7 inches)
	Width	151 mm (5.9 inches)
Weight Approx		19.7 Kg (43.3 lbs)

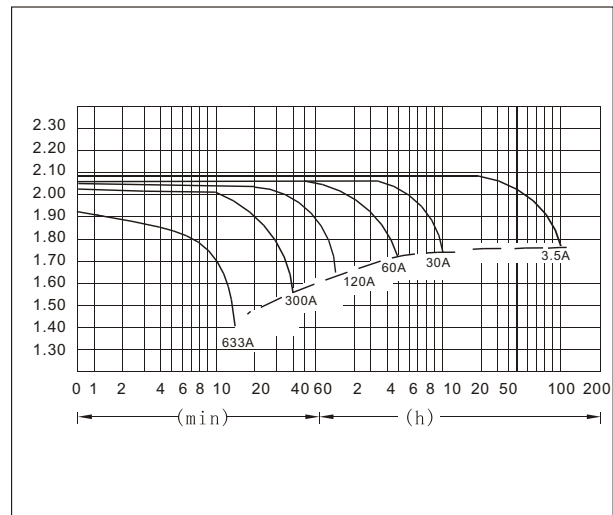
### Terminal Type (mm)



### Characteristics

Capacity 25°C(77°F)	10 hour rate(30A)	300 AH
	5 hour rate(48A)	240 AH
	1 hour rate(165A)	165 AH
	1.5 hour discharge to 1.75 V	120 A
Internal Resistance	Full charged Battery at 25°C(77°F)	1.5 mΩ
Capacity affected by Temperature (10hour rate)	40°C(104°F)	102%
	25°C(77°F)	100%
	0°C(32°F)	85%
	-15°C(5°F)	65%
Self-Discharge at 25°C(77°F)	Capacity after 3 month storage	91%
	Capacity after 6 month storage	82%
	Capacity after 12 month storage	64%
Terminal	T20	
Charge (constant Voltage)	Cycle	Initial Charging Current less than 75A Voltage 2.35-2.40V
	Float	Voltage 2.25-2.30V

### Discharge Curves 25°C(77°F)



Constant Current(Amp) and Constant Power(Watt) Discharge Table at 25°C(77°F)

Time		10min	30min	1h	3h	4h	5h	8h	10h	20h	50h	100h
1.60V	A	633	342	180	77.1	60.0	49.5	34.9	31.5	17.01	7.1	3.6
	W	1172	611	347	149	116	96	67	61	32.8	14.1	7.2
1.70V	A	615	333	169.2	75.0	58.5	48.6	34.1	30.7	16.59	6.8	3.5
	W	1127	605	327	145	113	94	66	59	32.0	13.6	7.0
1.75V	A	588	317	164	73.2	57.6	48.0	33.9	30.0	16.38	6.7	3.5
	W	1092	571	316	141	111	93	65	59	31.6	13.4	6.9
1.80V	A	549	306	158	71.4	56.7	46.8	33.0	29.3	16.20	6.6	3.4
	W	1050	549	302	139	109	91	64	58	31.4	13.1	6.8
1.85V	A	504	282	149	69.0	55.0	45.6	32.1	28.50	15.39	6.5	3.3
	W	1032	545	294	137	108	90	64	57	30.5	12.9	6.6