

GENERAL PURPOSE COUPLING TRANSFORMERS

- | | |
|--|--|
| ① Wide Selection of Standard Types | ⑥ Fast Rise Times |
| ② Industry Standard Package | ⑦ 2000Vrms Minimum Isolation Voltage |
| ③ Low Leakage Ind. and Winding Capacitance | ⑧ Insulation Resistance 10,000M Ω Minimum |
| ④ Average Power Rating 500 mW (40°C Rise) | ⑨ Peak Pulse Voltage 100V |
| ⑤ Dissipation Rating 150 mW | ⑩ Custom Designs Available (Consult Factory) |

ELECTRICAL SPECIFICATIONS AT 25°C - OPERATING TEMPERATURE RANGE -40°C TO +85°C

PART NUMBER	URNS RATIO ($\pm 5\%$)	PRIMARY OCL ($\mu\text{H MIN}$)	PRIMARY ET CONSTANT (V- $\mu\text{sec Min.}$)	RISE TIME (ns Max.)	PRI-SEC Cw/w (pf Max.)	PRI / SEC L_L ($\mu\text{H Max.}$)	PRI DCR (Ω Max.)	SEC DCR (Ω Max.)	TER DCR (Ω Max.)	Sch.
PM-NW01	1:1:1	5,000	25.0	11.0	60.0	1.3	3.9	3.9	3.9	A
PM-NW02	1:1:1	2,000	16.0	8.5	37.0	.80	2.5	2.5	2.5	A
PM-NW03	1:1:1	1,000	11.0	8.0	30.0	.70	2.0	2.0	2.0	A
PM-NW04	1:1:1	500	8.5	5.5	32.0	.60	1.5	1.5	1.5	A
PM-NW05	1:1:1	200	6.5	4.5	18.0	.50	1.0	1.0	1.0	A
PM-NW06	1:1:1	100	6.0	5.5	15.0	.40	0.8	0.8	0.8	A
PM-NW07	1:1:1	50	5.5	5.0	10.0	.30	0.7	0.7	0.7	A
PM-NW08	1:1:1	20	4.0	4.4	9.0	.30	0.6	0.6	0.6	A
PM-NW09	1:1:1	10	3.5	4.2	8.0	.30	0.5	0.5	0.5	A
PM-NW10	2:1:1	5,000	25.0	11.0	35.0	4.0	3.9	2.0	2.0	A
PM-NW11	2:1:1	2,000	16.0	8.5	20.0	2.0	2.5	1.5	1.5	A
PM-NW12	2:1:1	500	8.5	5.5	12.0	1.5	1.5	0.8	0.8	A
PM-NW13	2:1:1	200	6.5	4.5	9.0	1.0	1.0	0.6	0.6	A
PM-NW14	2:1:1	20	4.0	4.4	8.0	0.8	0.6	0.5	0.5	A
PM-NW15	1ct:1ct	2,000	16.0	8.5	37.0	.80	2.5	2.5	----	G
PM-NW16	1ct:1ct	1,000	11.0	8.0	30.0	.70	2.0	2.0	----	G
PM-NW17	1ct:1ct	500	8.5	5.5	32.0	.60	1.5	1.5	----	G
PM-NW18	1ct:1ct	200	6.5	4.5	18.0	.50	1.0	1.0	----	G
PM-NW19	1ct:1ct	100	6.0	5.5	15.0	.40	0.8	0.8	----	G
PM-NW20	1ct:1ct	50	5.5	5.0	10.0	.30	0.7	0.7	----	G
PM-NW21	2ct:1	5,000	25.0	11.0	35.0	4.0	3.9	2.0	2.0	A
PM-NW22	2ct:1	2,000	16.0	8.5	20.0	2.0	2.5	1.5	1.5	A
PM-NW23	2ct:1	500	8.5	5.5	12.0	1.5	1.5	0.8	0.8	A
PM-NW24	2ct:1	200	6.5	4.5	9.0	1.0	1.0	0.6	0.6	A
PM-NW25	2ct:1	20	4.0	4.4	8.0	0.8	0.6	0.5	0.5	A
PM-NW26	1.25:1	1,200	11.0	10.0	35.0	0.8	0.8	0.7	----	B

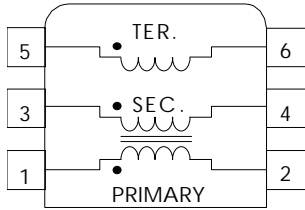


"T6" SCHEMATICS

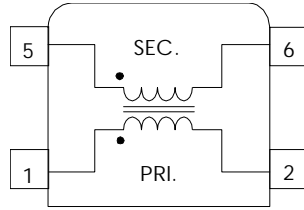
SINGLE CORE

SCHEMATIC DIAGRAMS

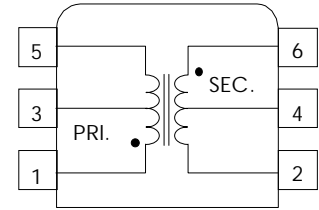
SCHEMATIC "A"



SCHEMATIC "B"



SCHEMATIC "G"

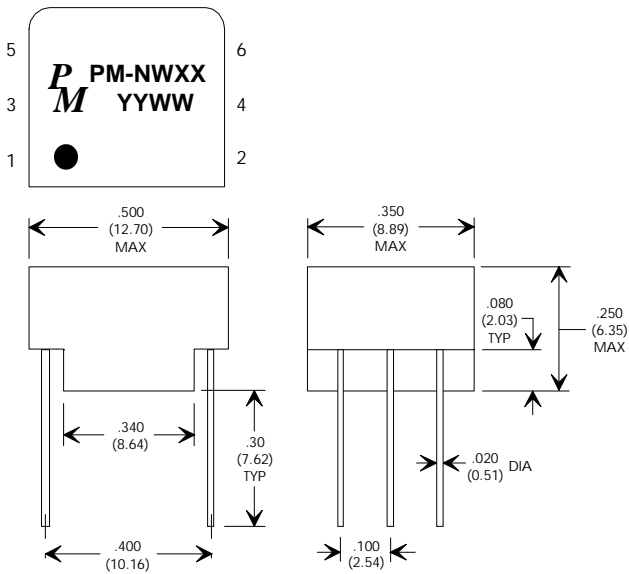


"T6" MECHANICALS

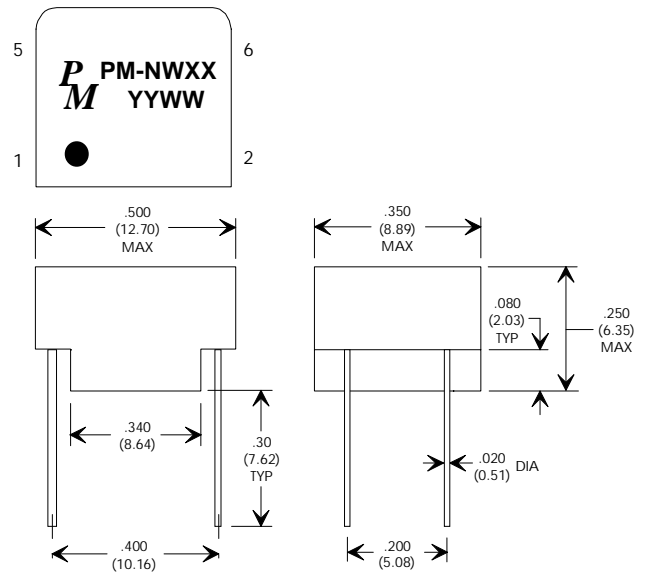
SINGLE CORE

Dimensions in inches (mm)

Schematic "A" & "G"



Schematic "B"
Pin #3 & 6 Removed



Specifications subject to change without notice.

pmnw 10/97