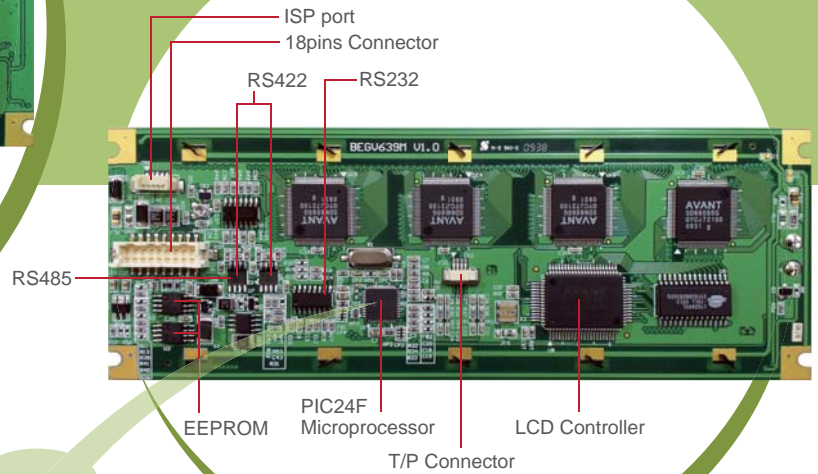


# BEGV639M

## µp Display Embedded System



Your 64KB application program here!

### Features

- High performance, Low power PIC 16-bit microprocessor
- Built-in 64KB ISP Flash memory / 8KB SRAM
- On board updateable 64KB EEPROM (128KB option)
- 1 x RS485 / 422 / 232, 1 x RS232
- High speed I<sup>2</sup>C
- Built-in 4-wired resistive touch panel
- Current consumption 160mA
- 240 x 64 monochrome STN LCD
- On-chip power-on reset(POR) and programmable watchdog reset
- Comprehensive set of development tools and application notes for self programming
- RS485 / 422 / 232 driver, I<sup>2</sup>C driver, touch panel driver, LCM driver and utility are supported
- Dimension (W x H x D): 180 x 65 x 19mm

### Hardware Specifications

#### Processor

- Microchip PIC24FJ64GA004 16-bit microprocessor

#### Memory

- 64KB in-system programmable flash
- 8KB internal SRAM
- 64KB x 1 external I<sup>2</sup>C CMOS EEPROM (option: 64KBx2)

#### Display Interface

- Support 8-bit scan 240 x 64 monochrome STN LCD (edge LED white backlight)

#### RS232 / 422 / 485 Port

- Support dual serial port, one is three-wired RS232, another is shared in among RS232/422/485 port by option

#### Serial Peripheral Interface

- One two-wired serial interface (I<sup>2</sup>C) 250KHz data transfer speed

#### Touch Panel Interface

- Support four-wired resistive touch panel interface

#### Software Utilities

- Support RS232 / 422 / 485 driver, I<sup>2</sup>C driver, touch panel driver and LCM driver for free

#### DC Requirement

- DC4.5V~5.5V

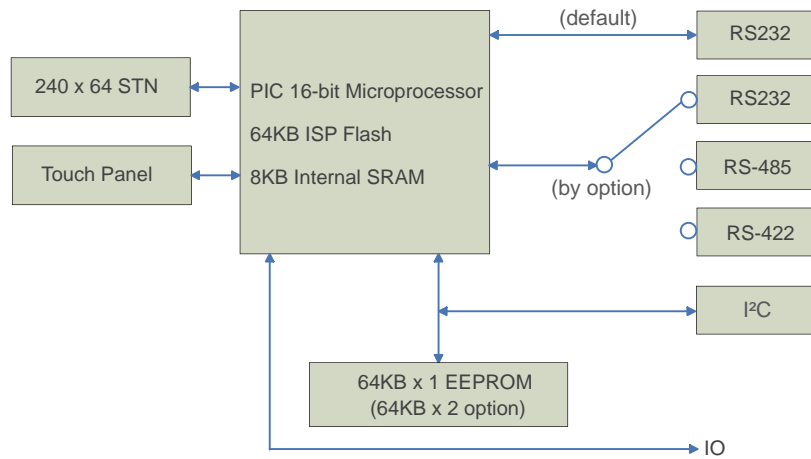


BOLYMIN, INC.

**Packing List**

- BEGV639M Embedded System
- User Manual
- Software Utility Disc
- ICD 3 and ISP Cable (option)

**BEGV639M BLOCK DIAGRAM**



**Pin Mapping Table**

| PIN NO. | Signal | PIN NO. | Signal         |
|---------|--------|---------|----------------|
| 1       | GND    | 10      | IOA            |
| 2       | TX0    | 11      | 422TP/485P/TX1 |
| 3       | VDD    | 12      | IOB            |
| 4       | RX0    | 13      | 422TN/485N/RX1 |
| 5       | VADJ   | 14      | IOC            |
| 6       | SCL    | 15      | 422RP          |
| 7       | Vout   | 16      | A              |
| 8       | SDA    | 17      | 422RN          |
| 9       | /Reset | 18      | K              |

**Order Information**

| Parts NO. | Description         | RS232-A | RS232-B | RS422 | RS485 |
|-----------|---------------------|---------|---------|-------|-------|
| BEGV639M  | Dual RS232          | ☆       | ☆       |       |       |
| BEGV639M1 | One RS232           | ☆       |         |       |       |
| BEGV639M2 | One RS232/One RS422 | ☆       |         | ☆     |       |
| BEGV639M3 | One RS232/One RS485 | ☆       |         |       | ☆     |

Display: FSTN/Gray LCD,LED/White Backlight(Default)



# BEGV606M/627M/629M/639M

## Display Embedded System

**MICROCHIP PIC 16bit microprocessor**  
 PIC24FJ64GA004  
 64K Bytes In-system programmable flash  
 8K Bytes SRAM

**MICROCHIP PIC 16bit microprocessor**  
 PIC24FJ64GA002  
 64K Bytes In-system programmable flash  
 8K Bytes SRAM



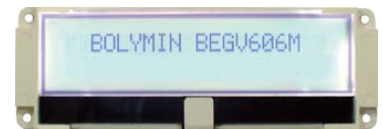
240 x 64 STN



128 x 64 OLED



128 x 64 STN



20 x 2 STN



BEGV639M



BEGV629M



BEGV627M



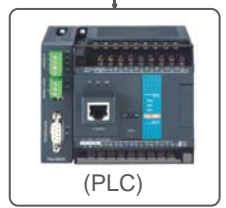
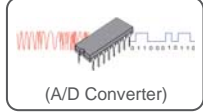
BEGV606M



I2C

isolated / isolated  
RS-485 RS-422

RS232



BOLYMIN, INC.