

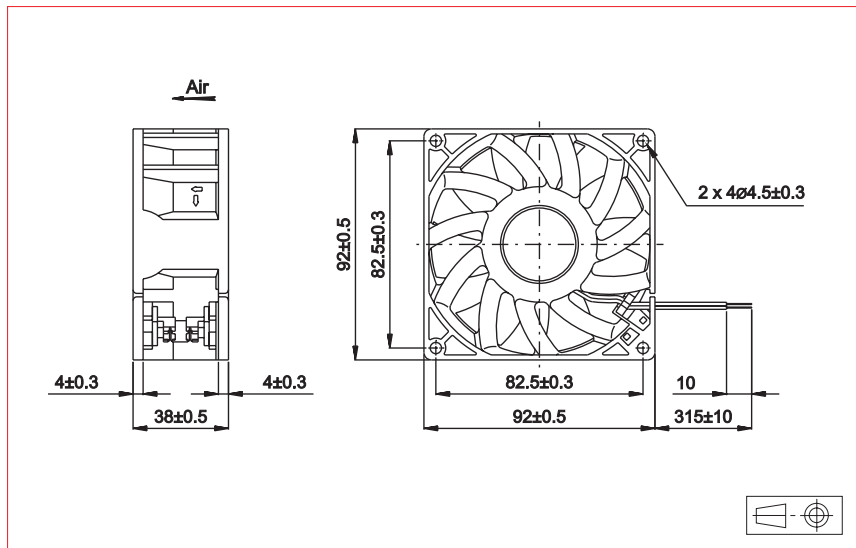
3,622" x 3,622" x 1,496"

92 x 92 x 38 mm

Series
341D

ETRI[®]

DC Axial Fans



Approvals



Life expectancy

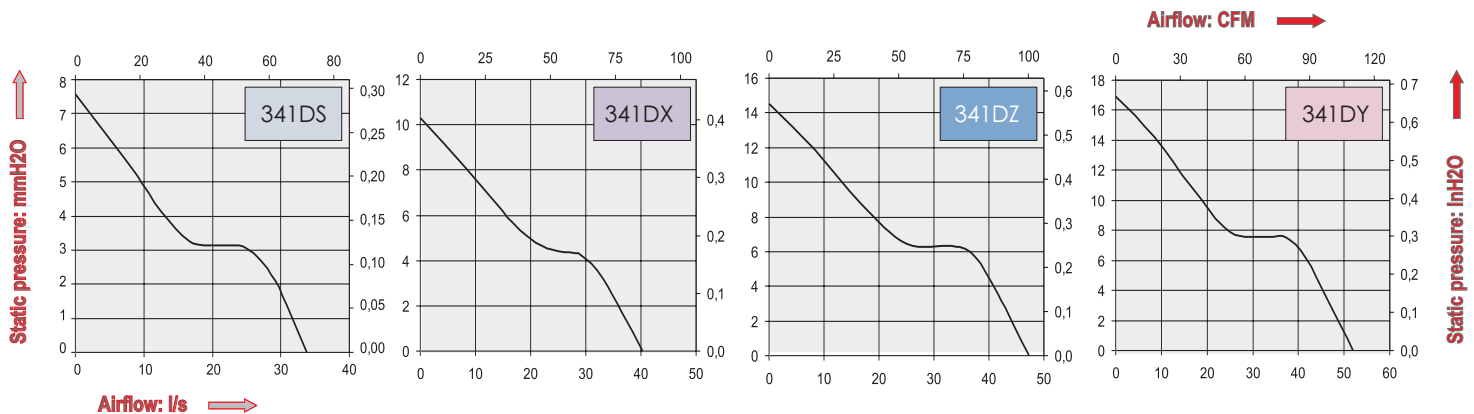
L-10 LIFE AT 40°C:
70 000 hours

Brushless DC Motor

Electrical protection: impedance protected
Housing material: plastic UL 94 VO
Impeller material: plastic UL 94 VO
Weight: 198 g
Bearing system: ball bearings

Available with:

- Speed sensor
- Alarm
- IP54 / IP55



Part Number	Nominal voltage	Airflow	Noise level	Nominal speed	Input Power	Voltage range	Connection type		Operating temperature	
	V						l/s	dB(A)	RPM	W
341DS1LP11000	12	33,8	42,5	3200	4,2	(7-13,8)	X		-10	70
341DS2LP11000	24	33,8	42,5	3200	4,3	(14-27,6)	X		-10	70
341DS4LP11000	48	33,8	42,5	3200	4,8	(28-56)	X		-10	70
341DX1LP11000	12	40,3	47,5	3800	6,0	(7-13,8)	X		-10	70
341DX2LP11000	24	40,3	47,5	3800	6,7	(14-27,6)	X		-10	70
341DX4LP11000	48	40,3	47,5	3800	6,7	(28-56)	X		-10	70
341DZ1LP11000	12	47,3	52,5	4400	9,0	(7-13,8)	X		-10	70
341DZ2LP11000	24	47,3	52,5	4400	9,6	(14-27,6)	X		-10	70
341DZ4LP11000	48	47,3	52,5	4400	9,6	(28-56)	X		-10	70
341DY1LP11000	12	52,0	55,0	4800	12,0	(7-13,8)	X		-10	70
341DY2LP11000	24	52,0	55,0	4800	12,0	(14-27,6)	X		-10	70

Accessories:
Refer to Accessories leaflet