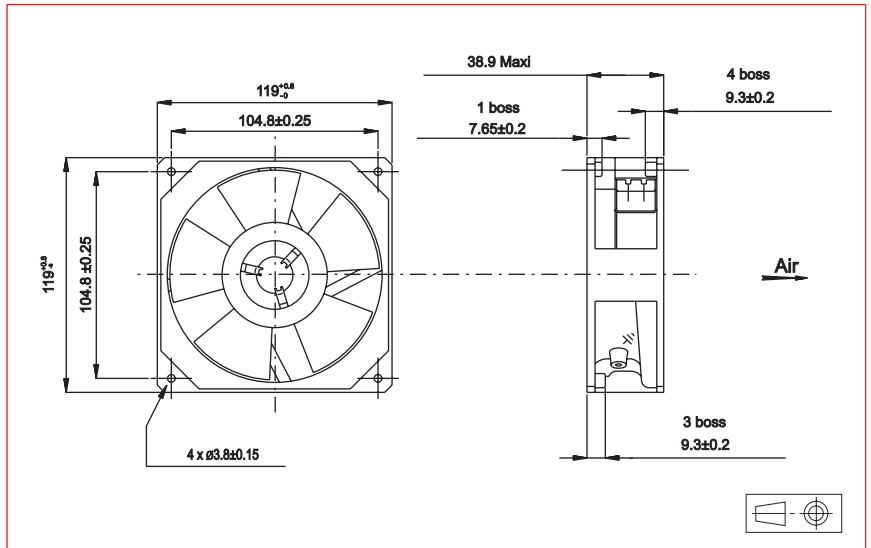


AC Axial Fans



Approvals



Life expectancy

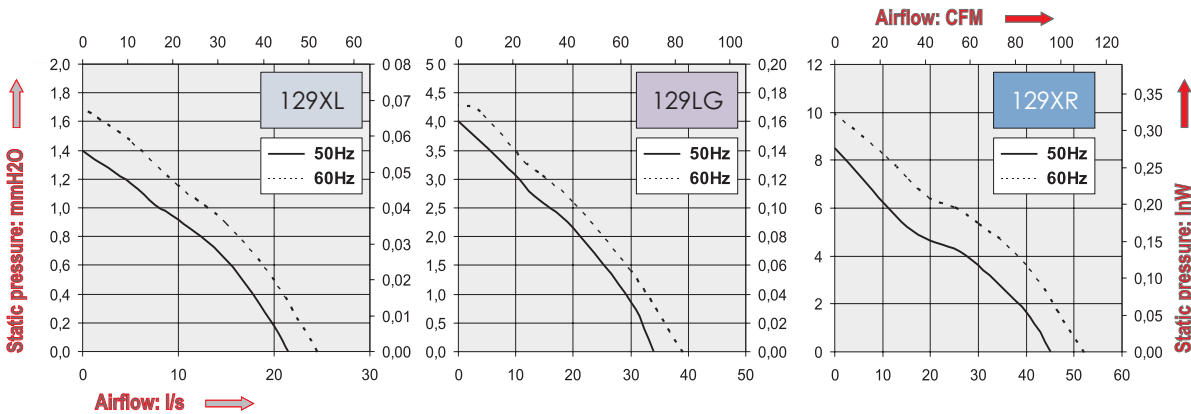
L-10 LIFE AT 40°C:
80 000 hours

AC Motor

Electrical protection: impedance protected
Housing material: zamak
Impeller material: plastic UL 94 VO
Weight: 725 g
Bearing system: ball bearings

Available with:

- Flying leads
- Speed sensor



| Part Number | Nominal voltage | Airflow | Noise level | Nominal speed | Frequency | Phases | Capacitor | Input Power | Nominal current | Starting current | Connection type | | Operating temperature | |
|--------------|-----------------|---------|-------------|---------------|-----------|--------|-----------|-------------|-----------------|------------------|-----------------|-------|-----------------------|----|
| | V | | | | | | | | | | l/s | dB(A) | RPM | Hz |
| 129XL0282010 | 115 | 21,5 | 31 | 1350 | 50 | 1 | | 12 | 135 | 145 | | X | -10 | 70 |
| | | 24,5 | 33,5 | 1550 | 60 | 1 | | 10 | 115 | 125 | | X | -10 | 70 |
| 129XL0281010 | 208-240 | 21,5 | 31 | 1350 | 50 | 1 | | 12 | 75 | 90 | | X | -10 | 70 |
| | | 24,5 | 33,5 | 1550 | 60 | 1 | | 10 | 65 | 75 | | X | -10 | 70 |
| 129LG0282010 | 115 | 34 | 44,5 | 2200 | 50 | 1 | | 16 | 200 | 250 | | X | -10 | 70 |
| | | 39 | 47,5 | 2400 | 60 | 1 | | 13 | 160 | 200 | | X | -10 | 70 |
| 129LG0281010 | 220 | 34 | 44,5 | 2200 | 50 | 1 | | 18 | 110 | 140 | | X | -10 | 70 |
| | | 39 | 47,5 | 2400 | 60 | 1 | | 15 | 90 | 120 | | X | -10 | 70 |
| 129XR0282010 | 115 | 45 | 49 | 2800 | 50 | 1 | | 16 | 200 | 310 | | X | -10 | 70 |
| | | 52 | 54 | 3200 | 60 | 1 | | 15 | 180 | 260 | | X | -10 | 70 |
| 129XR0281010 | 220 | 45 | 49 | 2800 | 50 | 1 | | 18 | 125 | 170 | | X | -10 | 70 |
| | | 52 | 54 | 3200 | 60 | 1 | | 15 | 105 | 150 | | X | -10 | 70 |

Additional versions:

Dual voltage 115V - 230V - salt spray protected - shock and vibration protected - marine specifications - IP54: consult factory

Accessories:

Refer to Accessories leaflet