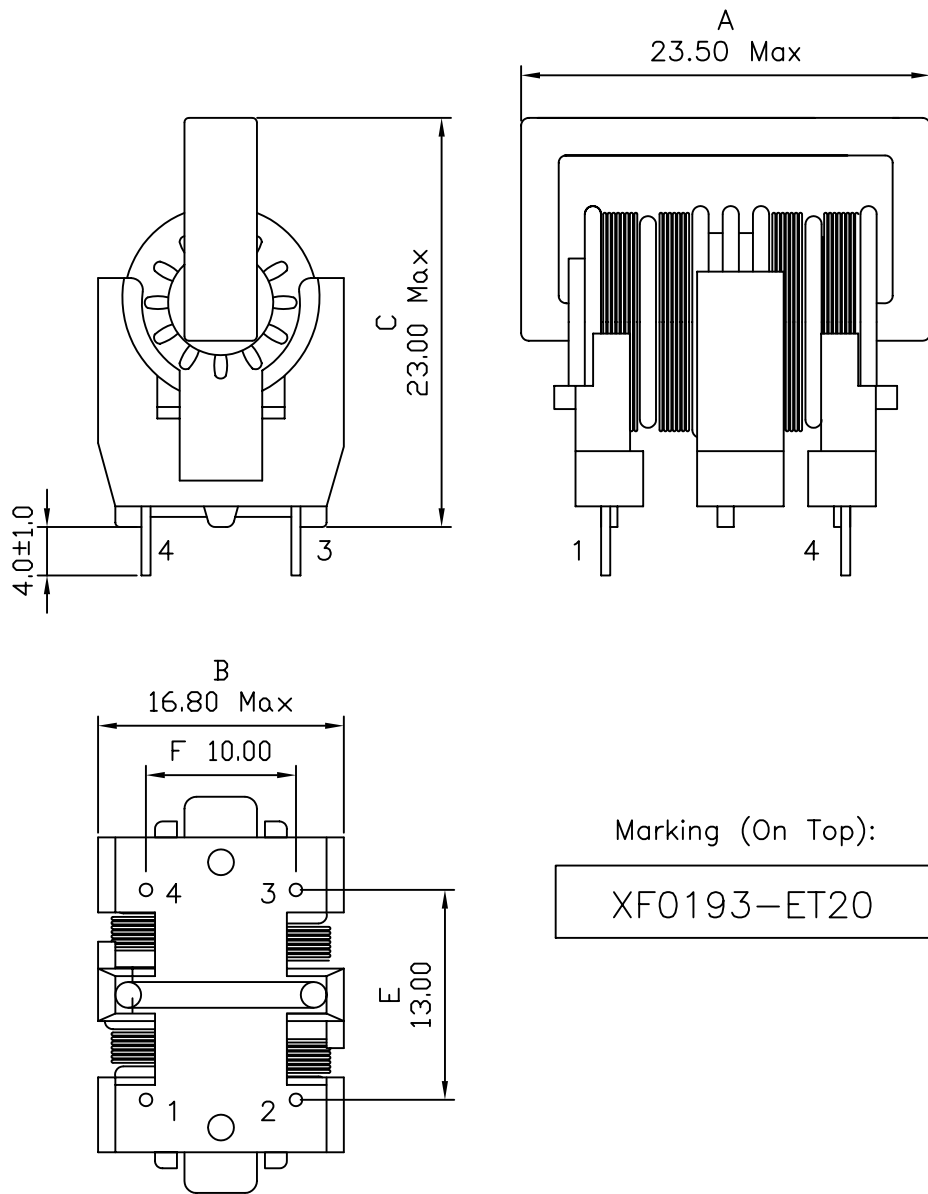


### 1. Mechanical Dimensions:

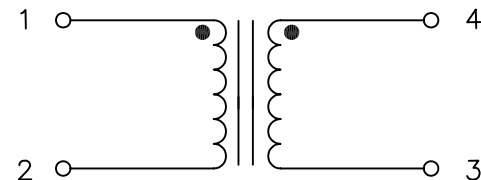


Marking (On Top):

XF0193-ET20

DOC REV: A/1

### 2. Schematic:



### 3. Electrical Specifications:

OCL: 19mH Min @10KHz 0.1V, Each Wdg  
 Rated Current: 0.5Arms Max  
 Rated Voltage: 250Vrms Max  
 Isolation Voltage: 2000Vac

Notes:

1. Solderability: Leads shall meet MIL-STD-202, Method 208D for solderability.
2. Flammability: UL94V-0
3. ASTM oxygen index: > 28%
4. Insulation System: Class F 155°C. UL file E151556
5. Operating Temperature Range: All listed parameters are to be within tolerance from -20°C to +115°C
6. Storage Temperature Range: -55°C to +125°C

<b>XFMRs Inc</b>	Title: LINE FILTER		
UNLESS OTHERWISE SPECIFIED TOLERANCES: .xx ±0.30 Dimensions in mm	P/N: XF0193-ET20		REV. A
	DWN.	罗振江	Apr-06-04
	CHK.	廖玉坤	Apr-06-04
SHEET 1 OF 1	APP.	Isaiah M	Apr-06-04

**PROPRIETARY**

Document is the property of XFMRs Group & is not allowed to be duplicated without authorization.